

# AB41/43 ARMoured CAR

## ASSEMBLY AND PAINTING GUIDE



Own the road with the Autoblinda!

One of the most successful Italian armoured cars of the Second World War, the Autoblinda AB41 combined excellent mobility with reasonable armament and decent protection, making for a perfect light reconnaissance vehicle. Several hundred would be produced in both the AB41 and later AB43 variants, with the latter almost exclusively seeing service in German hands after the Italian surrender.

Armoured cars like the AB41/43 are ideal for forming Bolt Action Armoured Platoons at a lower points cost than their heavier counterparts. Packing a deadly light autocannon and with the always-useful Recce special rule, it's a great choice for harassing enemy infantry and light armour alike.

### AB41/43 armoured car

<b>Manufacturer:</b>	Fiat-Ansaldo
<b>Produced:</b>	1941–1944
<b>No. built:</b>	600–700 (AB40: 24 units later partly modernized / AB41: about 600 units / AB43: about 70 units)
<b>Variants:</b>	AS 42 "Camionetta Sahariana", SPA-Viberti AS.42
<b>Armour:</b>	18 mm maximum
<b>Top speed:</b>	48 mph (78 km/h) on road
<b>Length:</b>	17 ft 1 in (5.21 m)
<b>Width:</b>	6 ft 4 in (1.93 m)
<b>Height:</b>	8 ft 2 in (2.48 m)
<b>Armament:</b>	AB 41: 1 × 20 mm Breda mod. 35 autocannon, 456 rounds AB 43: 1 × 47 mm Cannone da 47/32 M35 anti-tank gun, 63 rounds
<b>Crew:</b>	4 (forward driver, rear driver, gunner and commander)

## ASSEMBLY GUIDE KEY



Assembly stage



Do not glue

22

Part number



Previous assembly stage



Special assembly instructions



Optional assembly



Drill part

Follow this simple guide to build your AB 41/43 armoured car.

Carefully remove each component from the frame with clippers or a craft knife. Trim off excess plastic before assembling. Test fit all parts before applying glue.

We recommend using polystyrene cement to assemble the kit, and to use this in a well-ventilated area.

Keep tools, glues, paints, and small components away from children. Warlord Games recommends this kit for ages 14 and over.

## DECAL APPLICATION GUIDE

- Apply a coat of gloss varnish to the areas that will receive the decal and allow this to dry fully.
- Cut out a decal from the sheet and soak it in lukewarm water for 1-2 minutes.
- Once the design has started to separate from the backing paper, use tweezers or a wet paintbrush to slide the design into place on the model.
- Use a tissue to dab away any excess water from the model and allow to dry.
- Apply a coat of matt varnish to seal the decal in place.

A - Italian national markings

B - Italian tactical markings

C - Italian divisional insignia

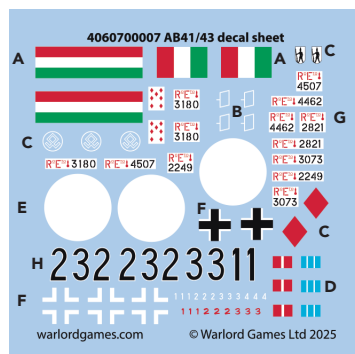
D - Italian unit markings

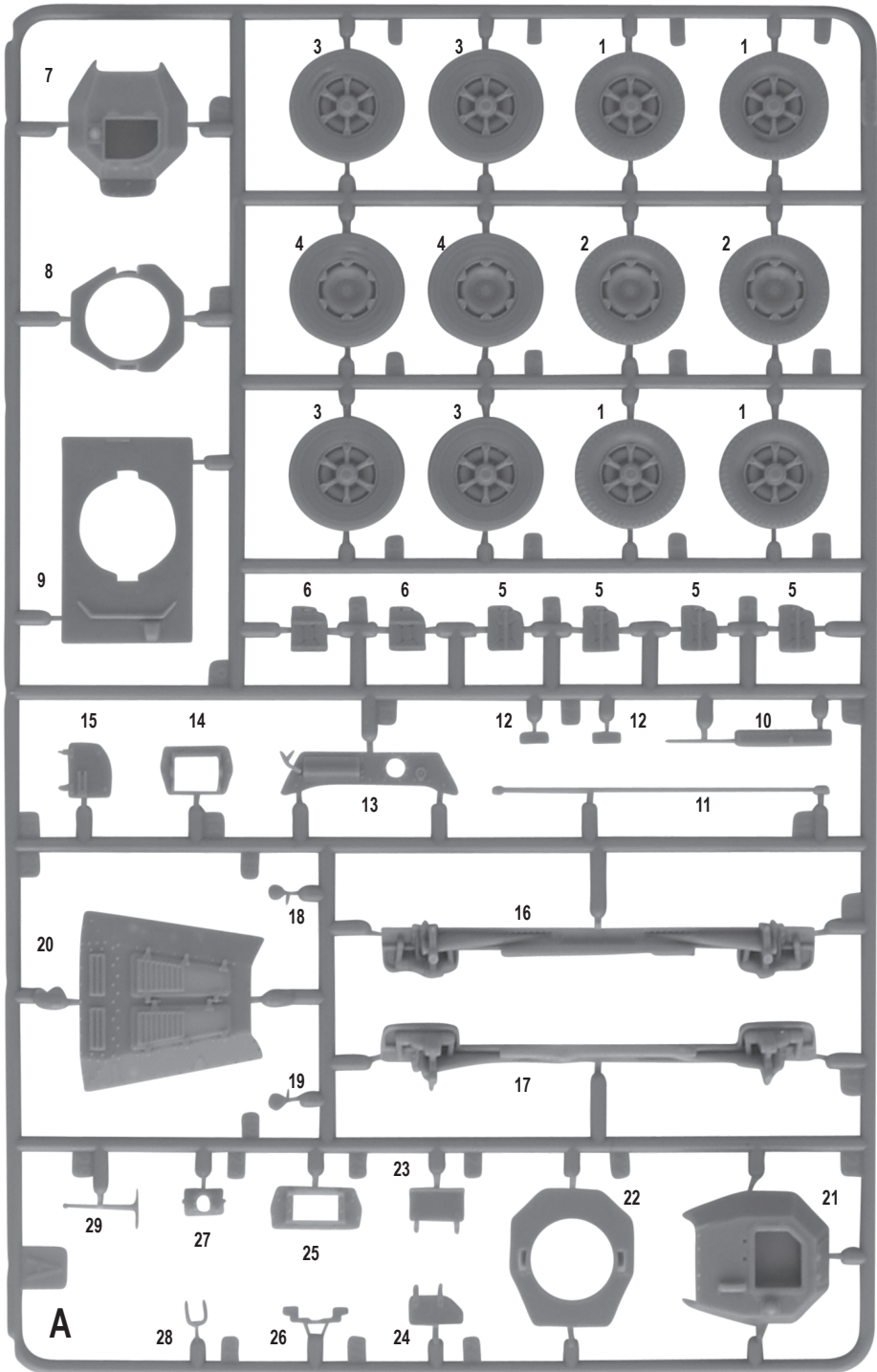
E - Aerial recognition markings

F - German Balkankreuz

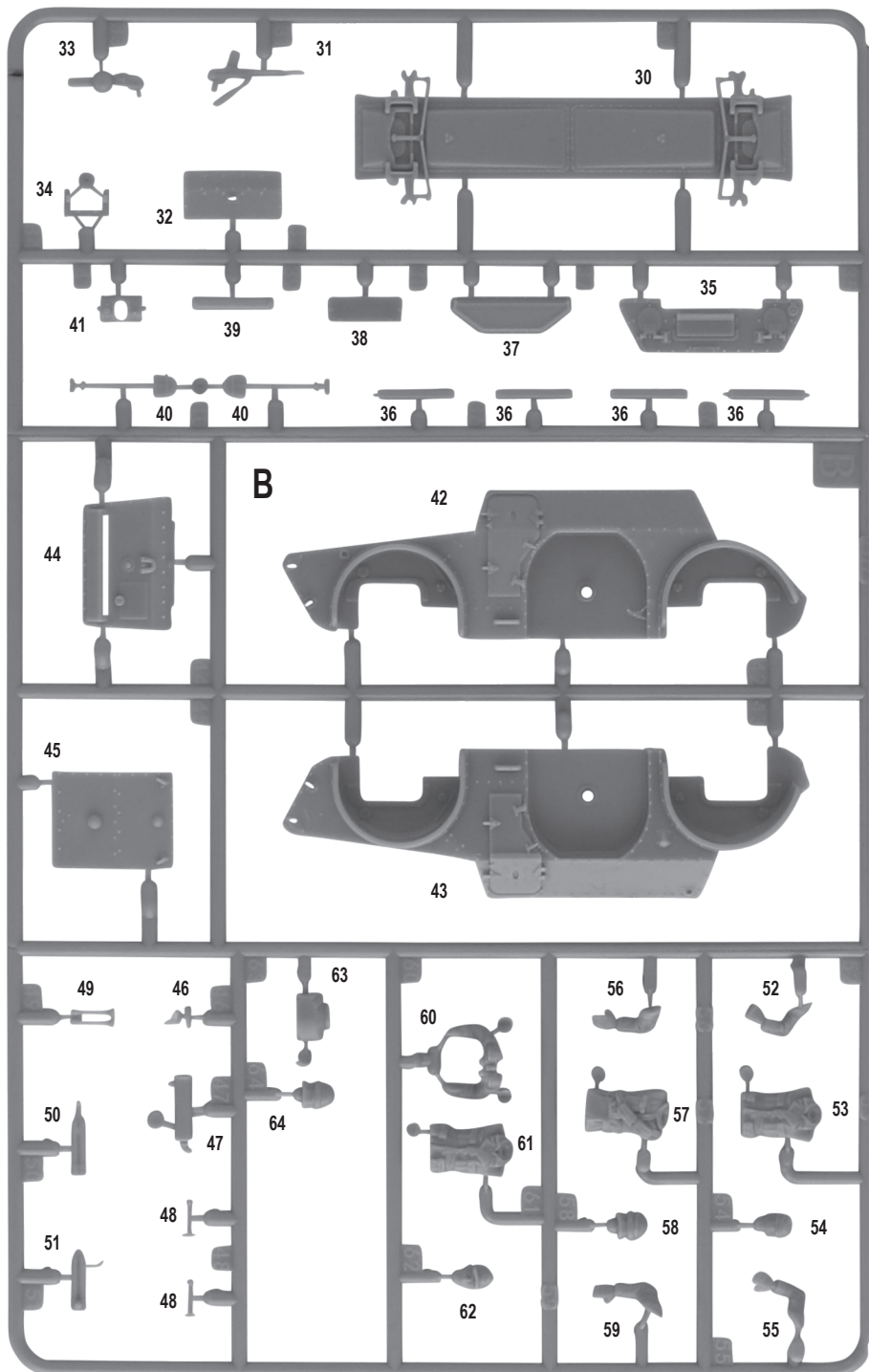
G - Italian Army number plates

H - German tank numbers



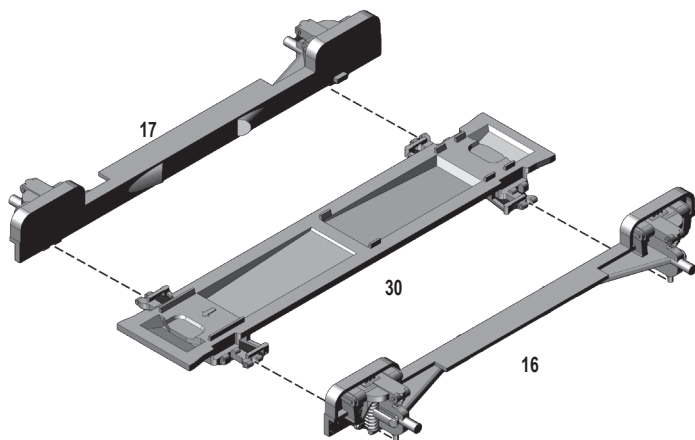


Both variants

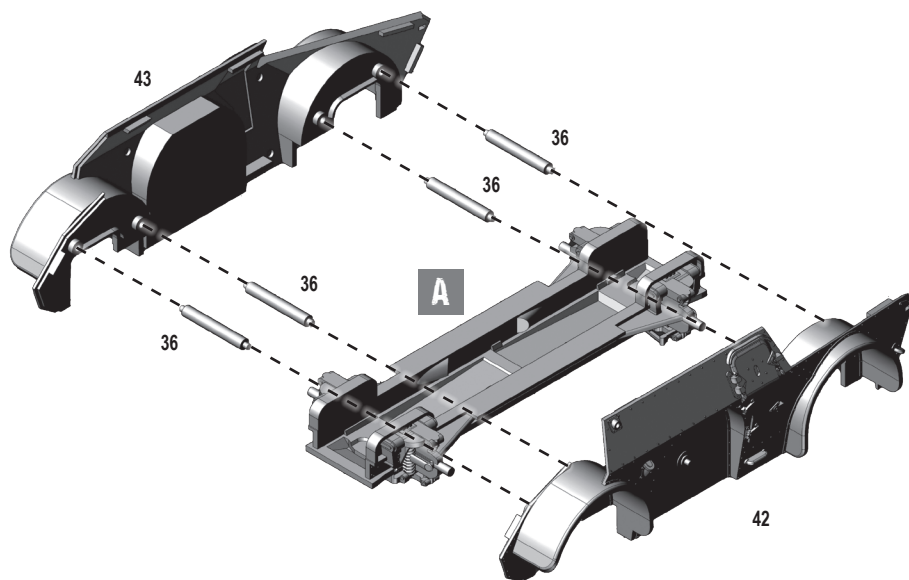


Both variants

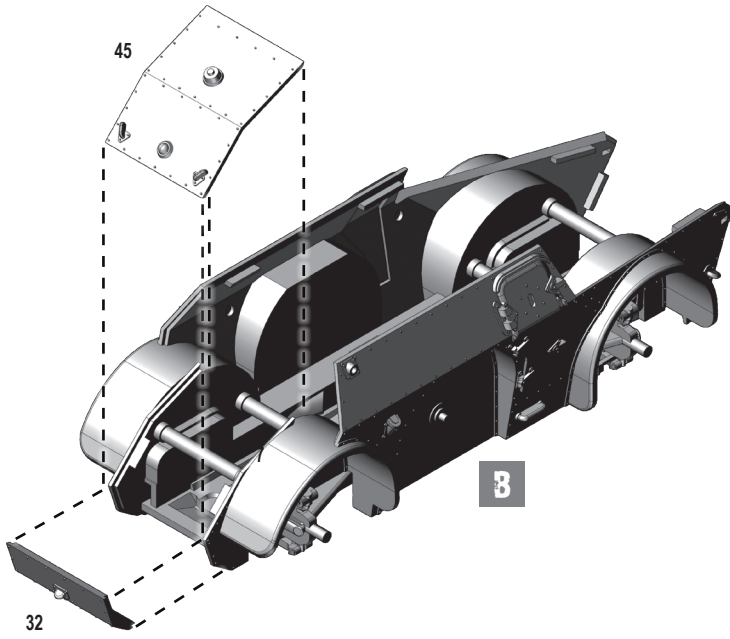
**A** Follow stages A-F for both variants



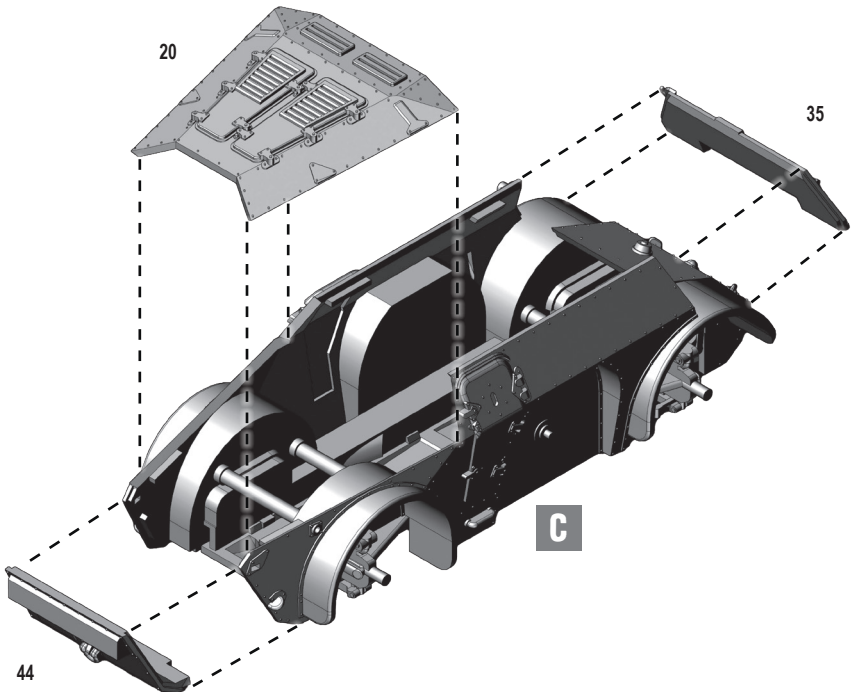
**B**



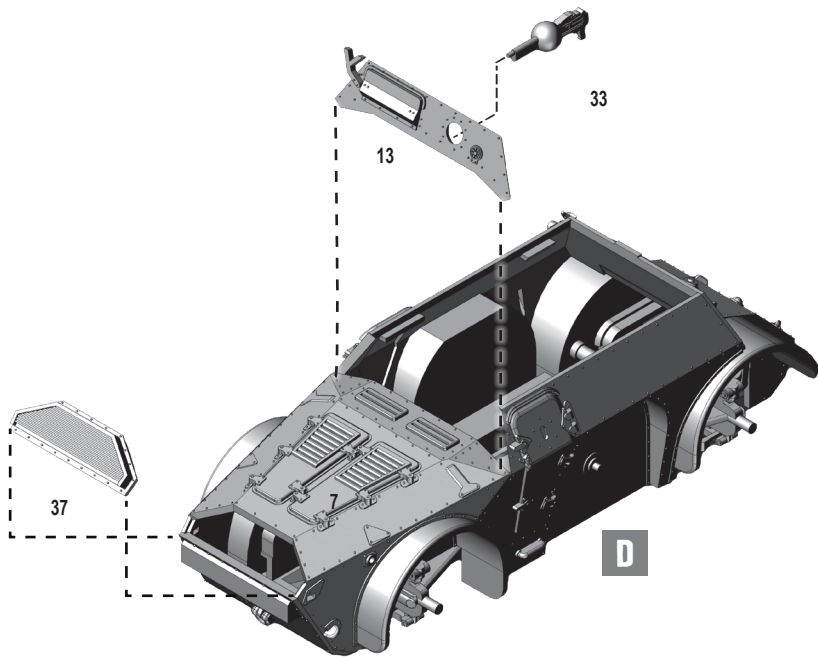
**C**



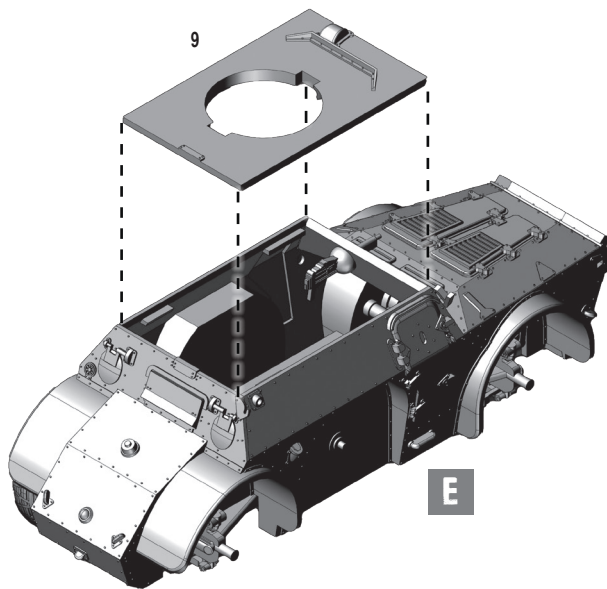
**D**



**E**

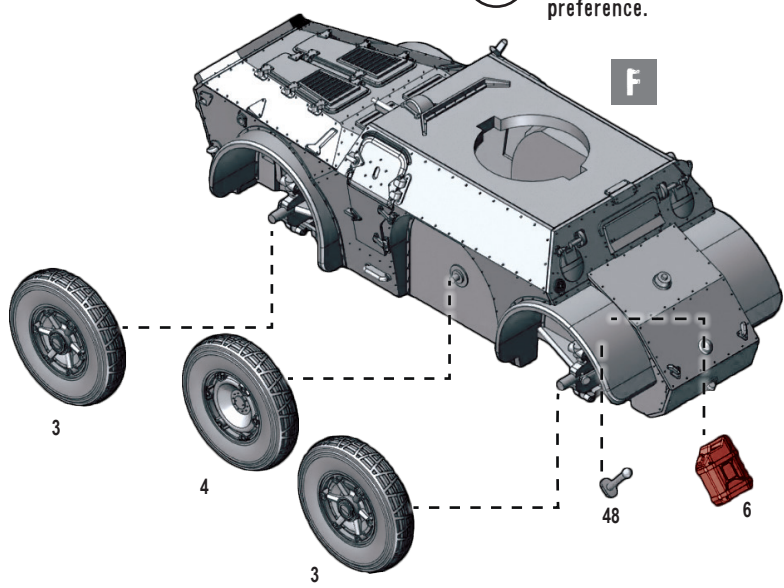


**F**

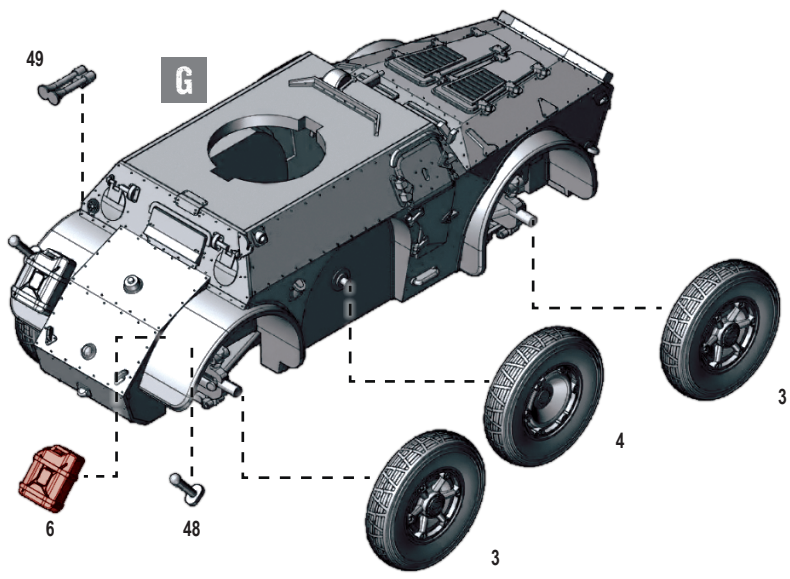


**G** Follow stages G - O for AB41

**?** Please note: All parts marked in RED can be positioned according to your preference.



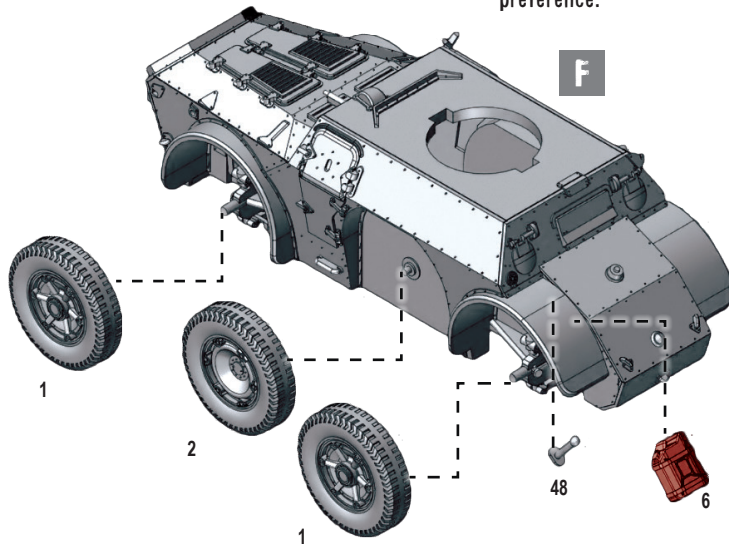
**H**



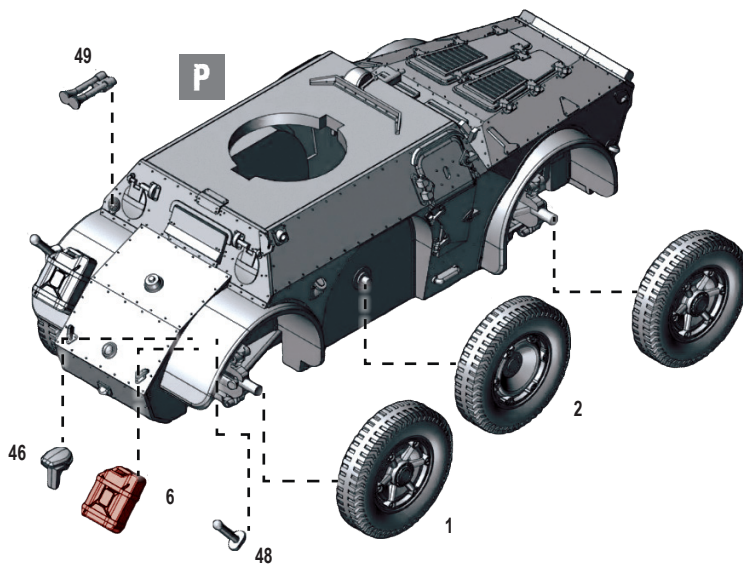
**P** Follow stages P – X for AB43



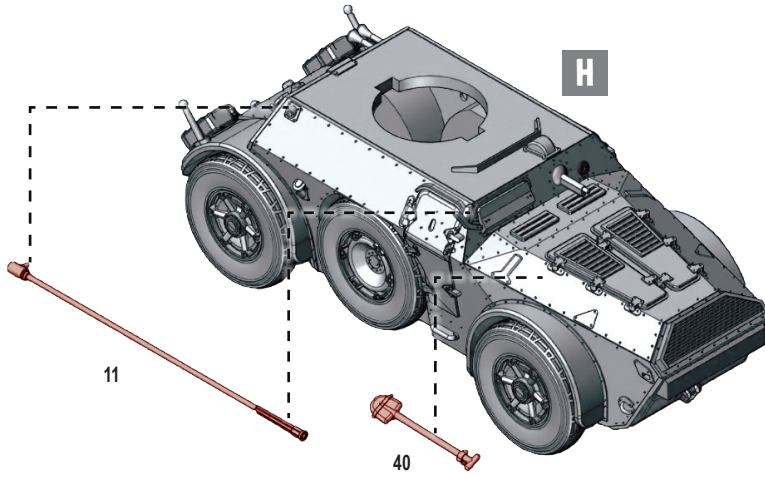
Please note: All parts marked in RED can be positioned according to your preference.



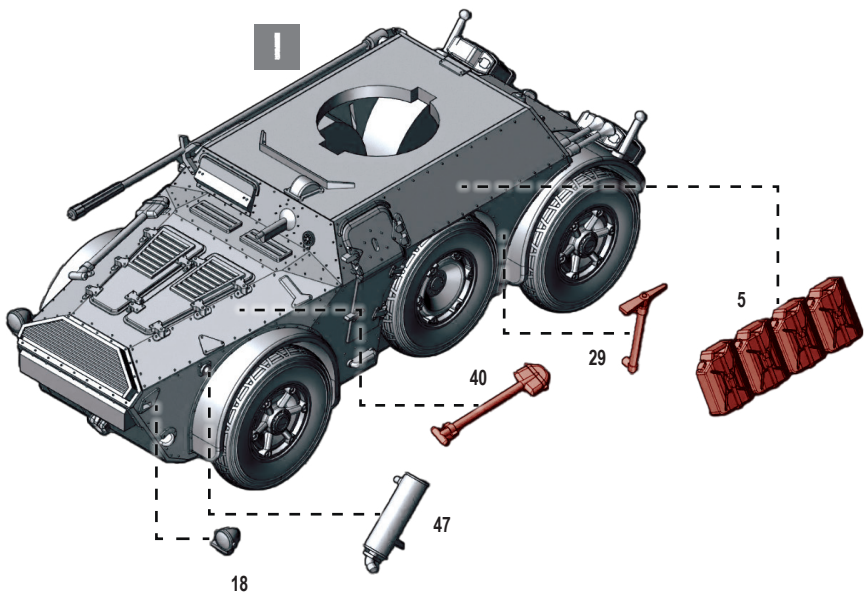
**Q**



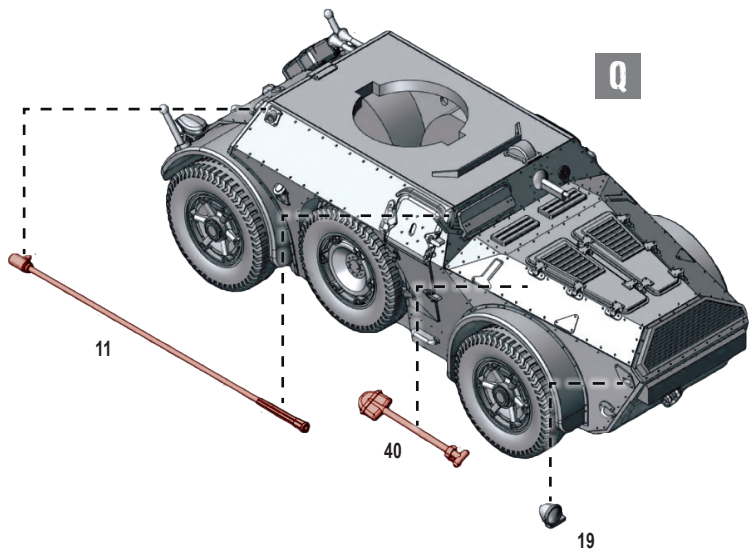
I



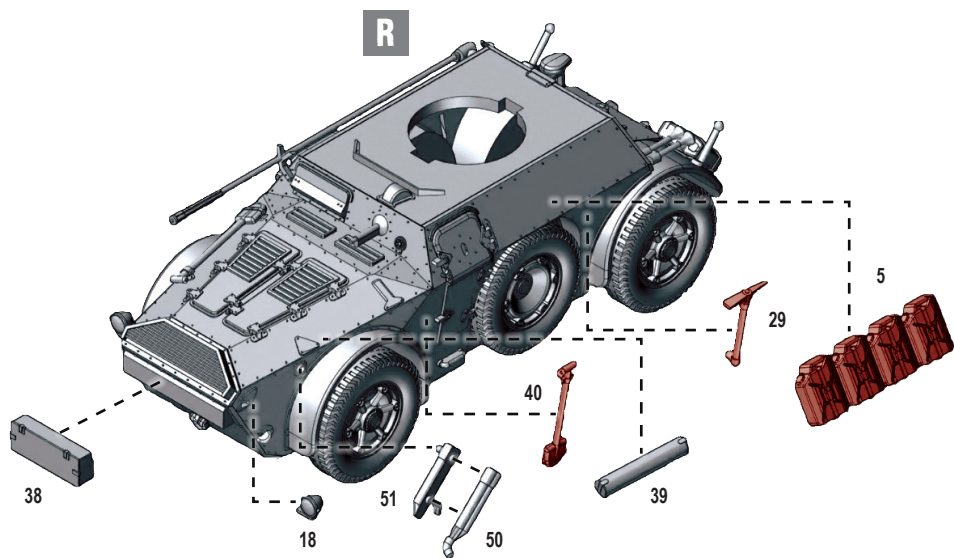
J



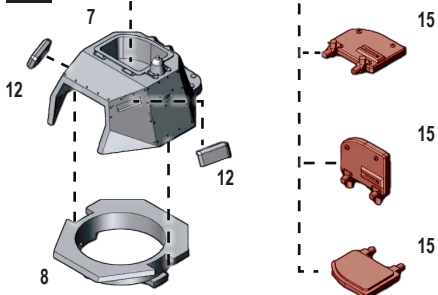
**R**



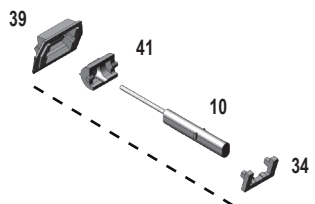
**S**



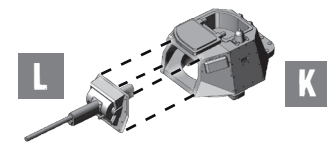
**K**



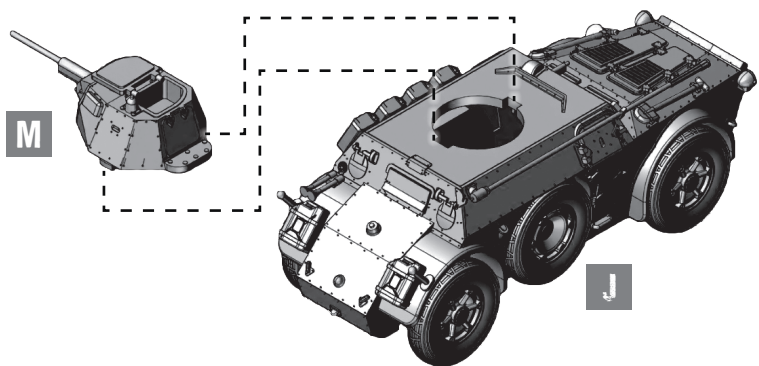
**L**



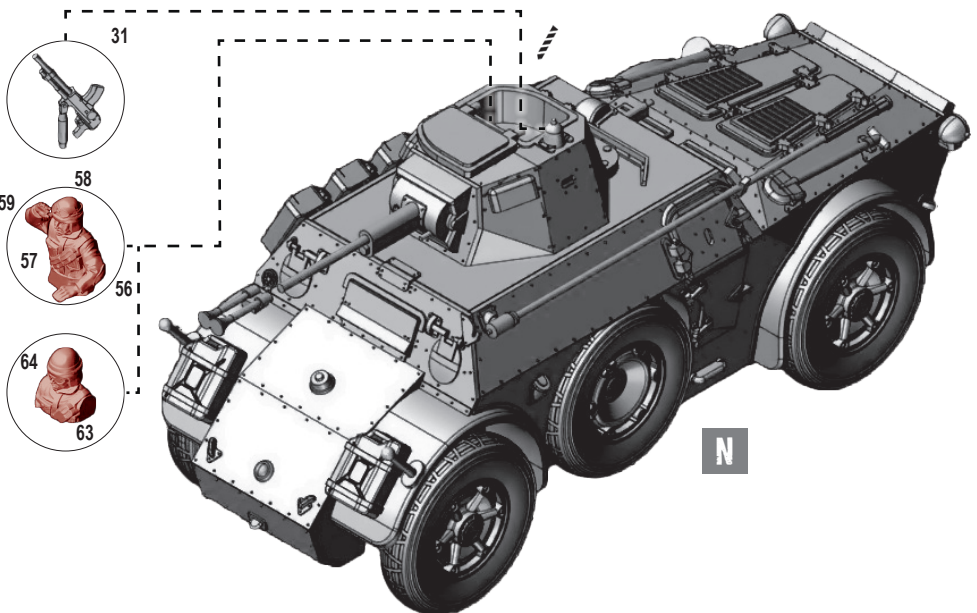
**M**

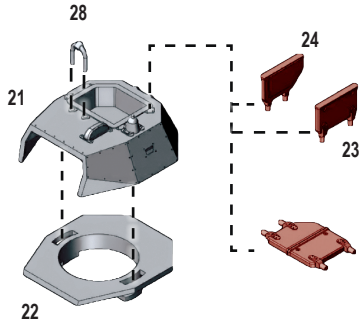
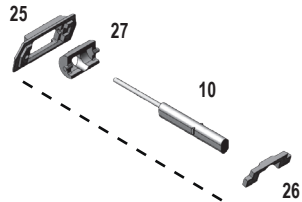
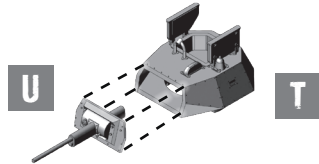
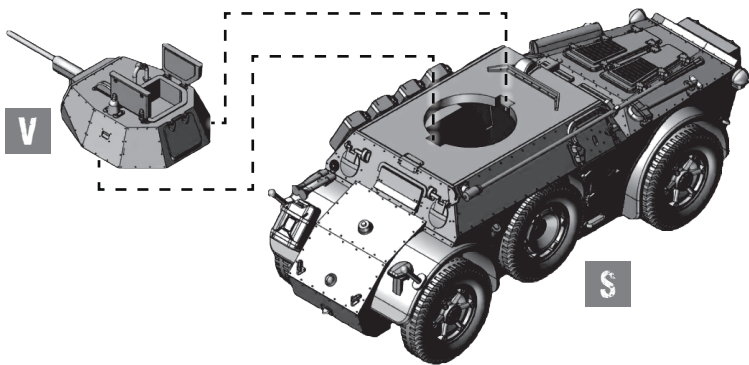
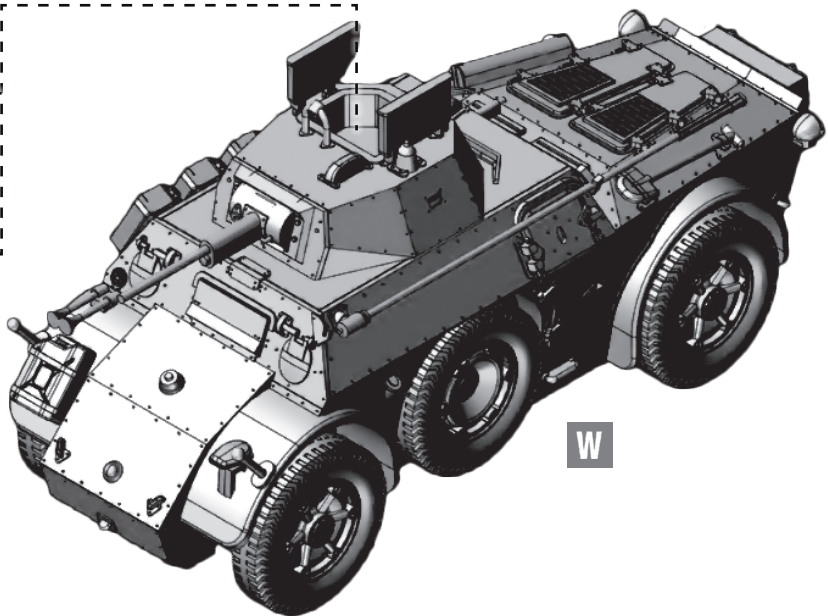
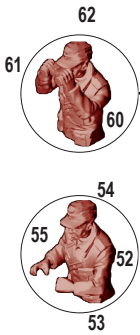


**N**



**O**



**T****U****V****W****X**

# AB41/43 ARMoured CAR

Warpaints Fanatic Barren Dune

Warpaints Fanatic Inner Light

Warpaints Fanatic Mocca Skin



German Army, Italy, 1943



Warpaints Fanatic Guardian Green

Warpaints Fanatic Gun Metal



# AB41/43 ARMoured CAR

Warpaints Fanatic Barren Dune

Warpaints Fanatic Inner Light

Warpaints Fanatic Ice Yellow



Italian Army, North Africa, 1942



Warpaints Fanatic Gun Metal



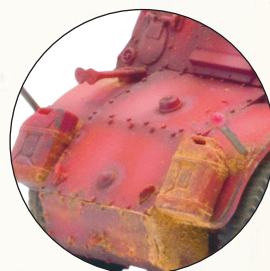
# AB41/43 ARMoured CAR

81a Brigata Garibaldi Volante,  
Great Partisan Insurrection, 1945

Warpaints Fanatic Basilisk Red

Warpaints Fanatic Pure Red

Warpaints Fanatic Matte Black



Warpaints Fanatic Gun Metal



Component code: 407070006