



# CARRO ARMATO M13/40 OR M14/41 & SEMOVENTE 75/18 ASSEMBLY AND PAINTING GUIDE



The Carro Armato M13/40 was an Italian World War II tank designed to replace the M11/39 in the Italian Army at the start of World War II. It was the primary tank used by the Italians throughout the war. The design was influenced by the British Vickers 6-Ton and was based on the modified chassis of the earlier M11/39.

The name refers to 'M' for *Medio* (medium) according to the Italian tank weight standards at the time, 13 tons was the scheduled weight and 1940 the initial year of production.

The M13/40 was used in the Greek campaign in 1940 and 1941 and in the North African Campaign. The M13/40 was not used on the Eastern Front, Italian forces there were equipped only with L6/40s and Semovente 47/32s. Beginning in 1942, the Italian Army recognized the firepower weakness of the M13/40 series and employed the Semovente 75/18 self-propelled gun alongside the tanks in their armoured units.

## Carro Armato M13/40 and M14/41

|                      |  |
|----------------------|--|
| <b>No. produced:</b> | 2000   |
| <b>Crew:</b>         | 4  |
| <b>Powerplant:</b>   | SPA 8 T M40 11,140 cc V8 diesel<br>125 hp (93 kW)  |
| <b>Top speed:</b>    | 231.8 km/h (19.8 mph) on road  |
| <b>Range:</b>        | 200 km (120 mi)  |
| <b>Armament:</b>     | 1 × cannone da 47/32 47 mm AT gun,<br>4 × 8mm Breda machine guns<br>(1 × coaxial, 1 × AA, 2 × in hull)             |
| <b>Armour:</b>       | Front: 30 mm (1.2")<br>Sides/rear: 25 mm (0.98")<br>Floor/roof: 6–14 mm (0.24–0.55")<br>Turret front: 42 mm (1.7") |
| <b>Weight:</b>       | 10.7 tons  |



## ASSEMBLY GUIDE KEY



Assembly stage



Do not glue

22

Part number



Previous assembly stage



Special assembly instructions

3

Decal number



Optional assembly



Drill part

987

Paint number (Vallejo)

Follow this simple guide to build your Carro Armato M13/40 or M14/41 or Semovente 75/18.

Carefully remove each component from the frame with clippers or a craft knife. Trim off excess plastic before assembling. Test fit all parts before applying glue.

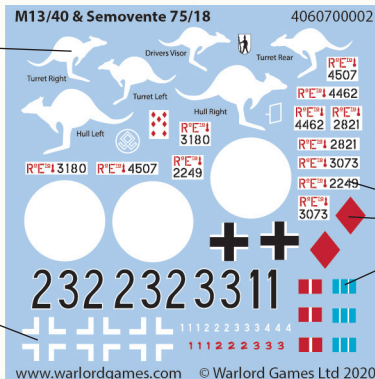
We recommend using polystyrene cement to assemble the kit, and to use this in a well-ventilated area.

Keep tools, glues, paints and small components away from children. Warlord Games recommend this kit for ages 14 and over.

## DECAL APPLICATION GUIDE

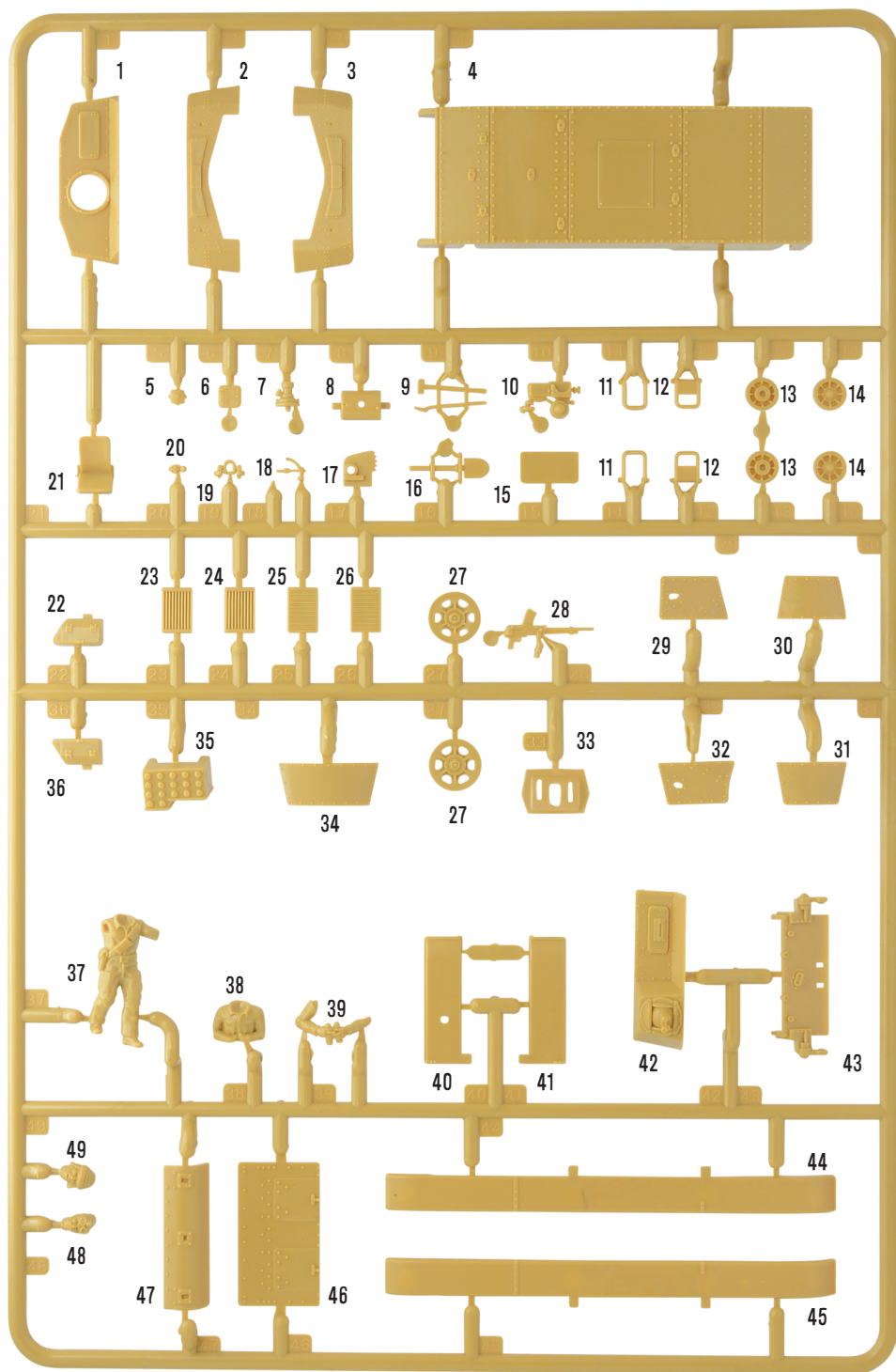
- Apply a coat of gloss varnish to the areas that will receive the decal and allow this to dry fully.
- Cut out a decal from the sheet and soak it in luke warm water for 2-3 minutes.
- Once the design has started to separate from the backing paper, use tweezers or a wet paintbrush to slide the design into place on the model.
- Use a tissue to dab away any excess water from the model, and allow to dry.
- Apply a coat of matt varnish to seal the decal in place.

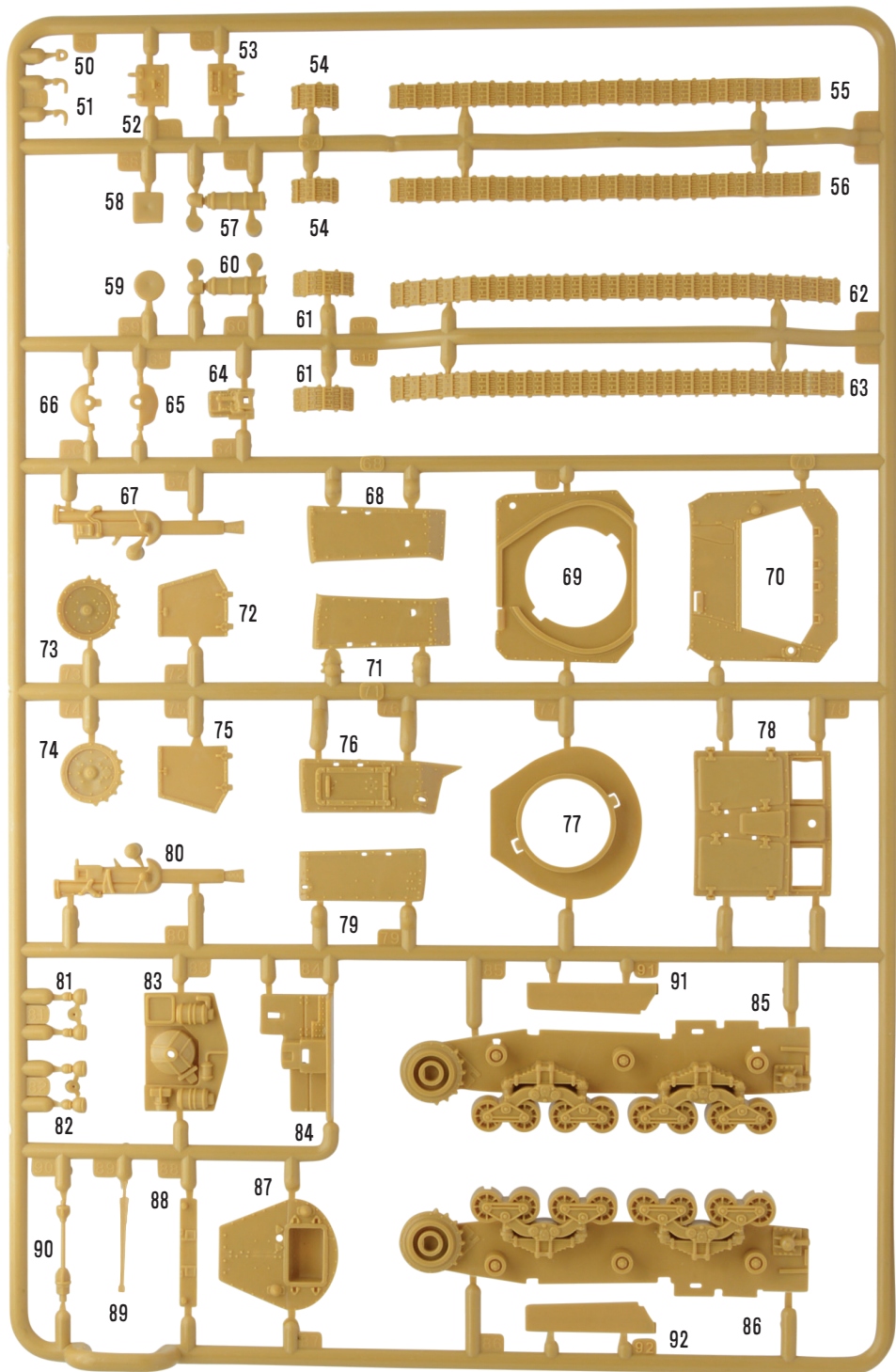
Australian army markings  
(captured vehicles)



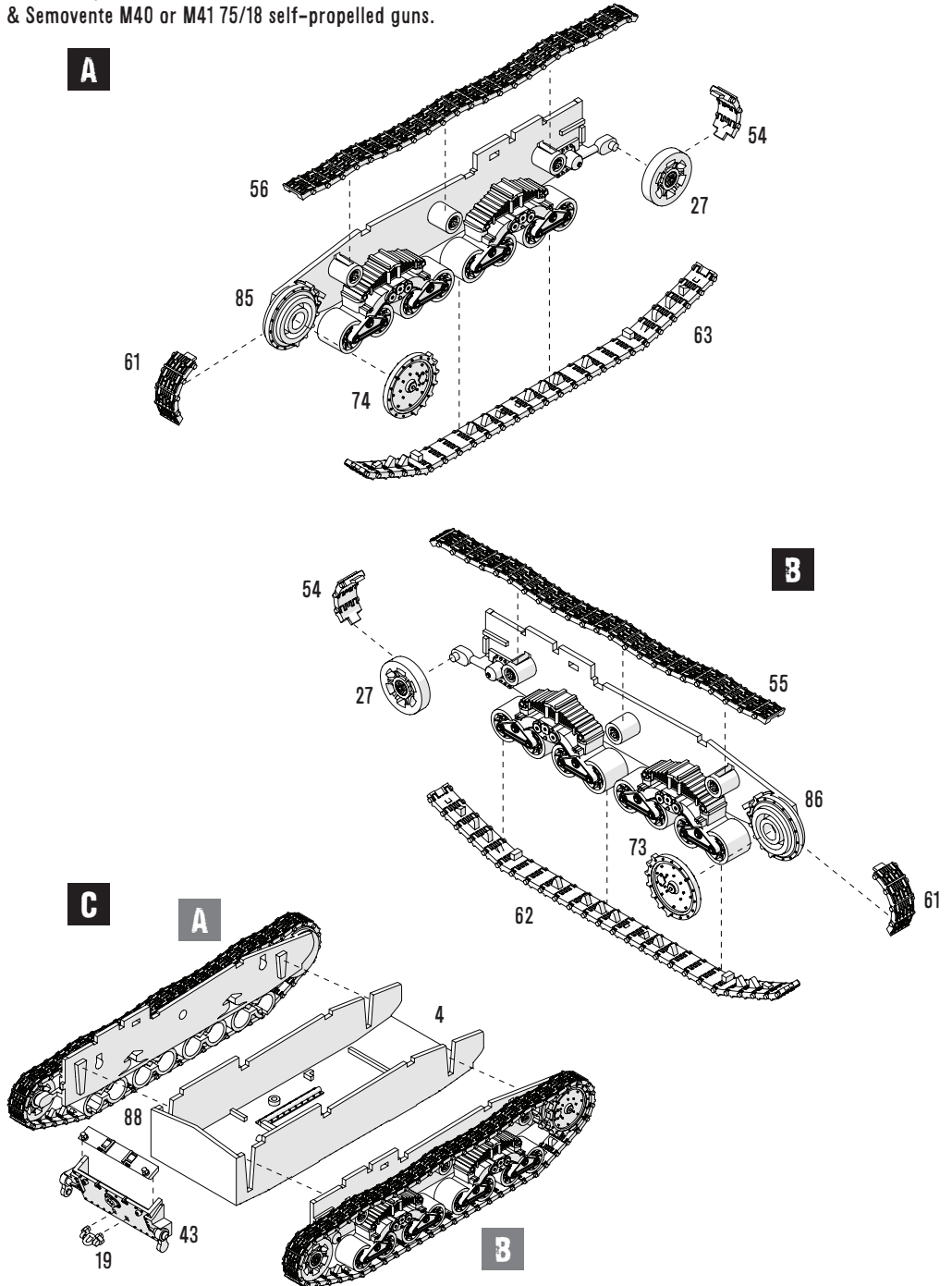
German army markings

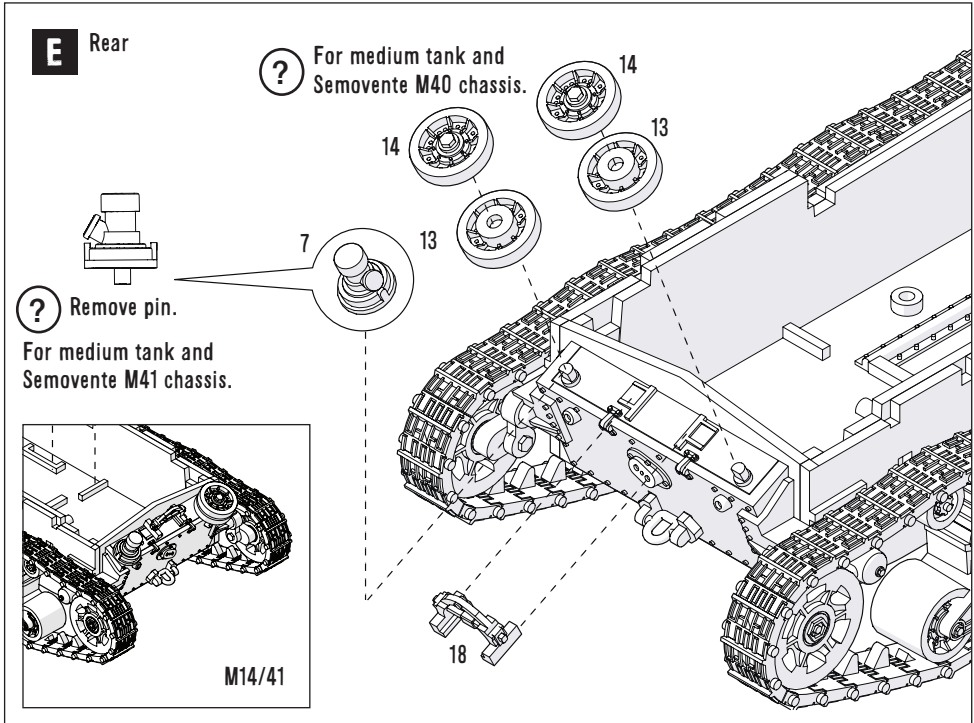
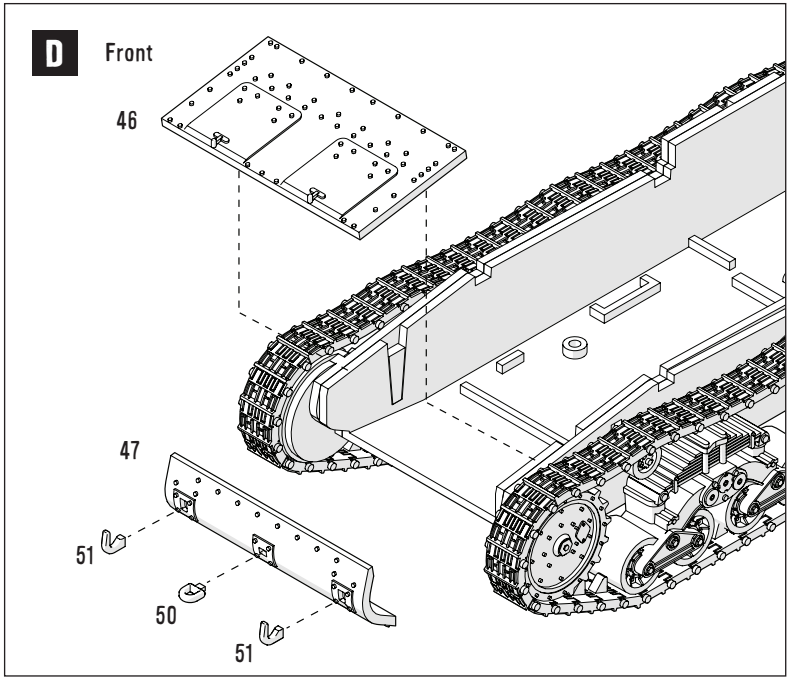
Italian army markings





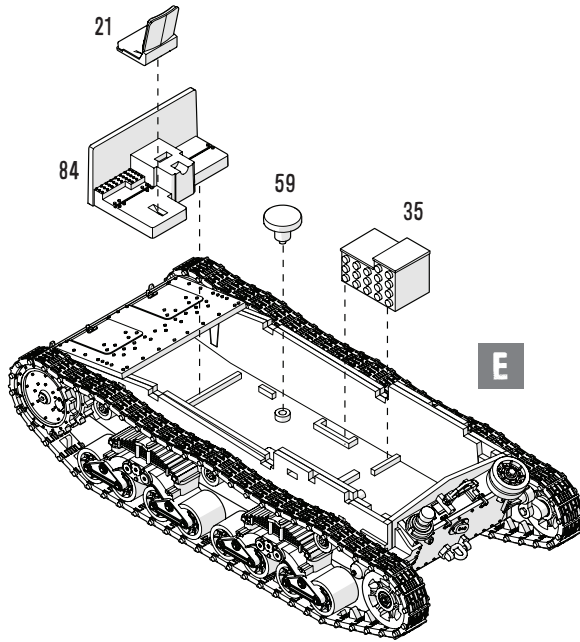
Follow stages A-K for both Carro Armato M13/40 or M14/41 medium tanks  
& Semovente M40 or M41 75/18 self-propelled guns.





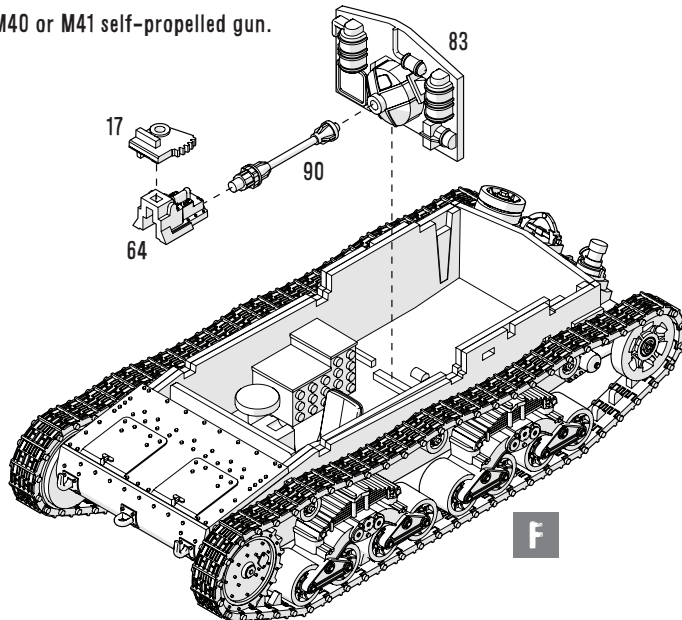
Semovente 75/18 M40 or M41 self-propelled gun.

**F**



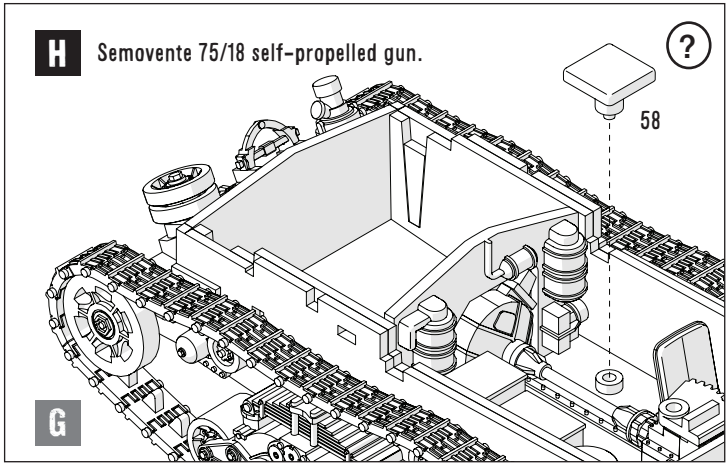
Semovente 75/18 M40 or M41 self-propelled gun.

**G**

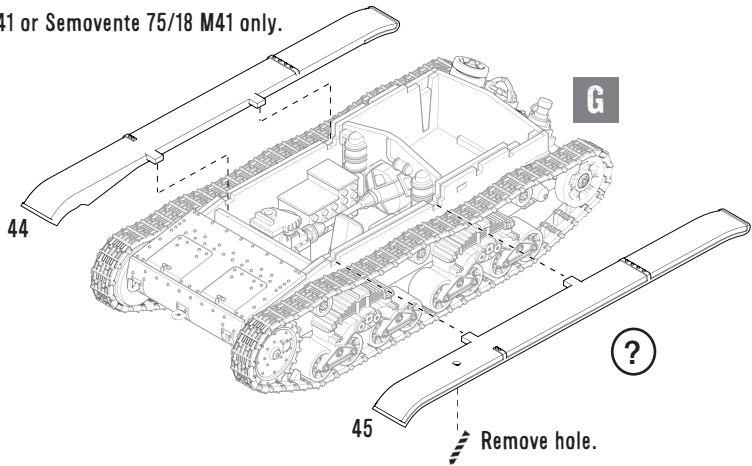


**H**

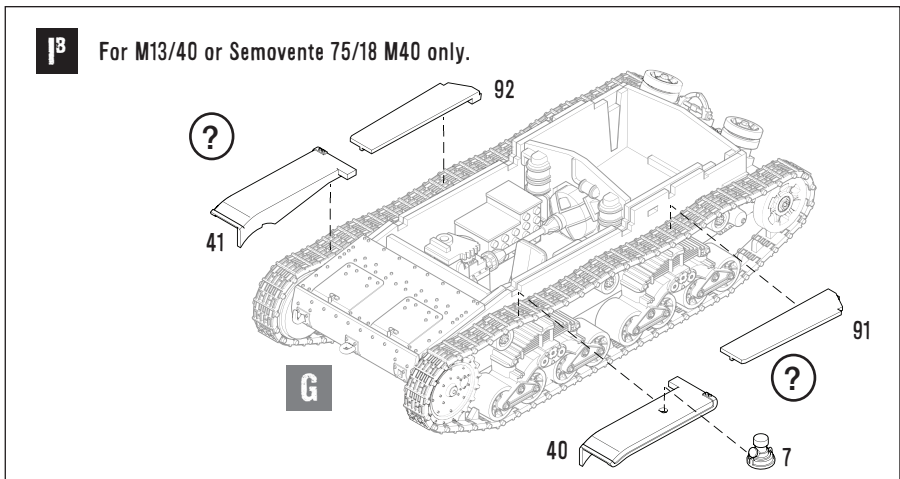
Semovente 75/18 self-propelled gun.

**I<sup>A</sup>**

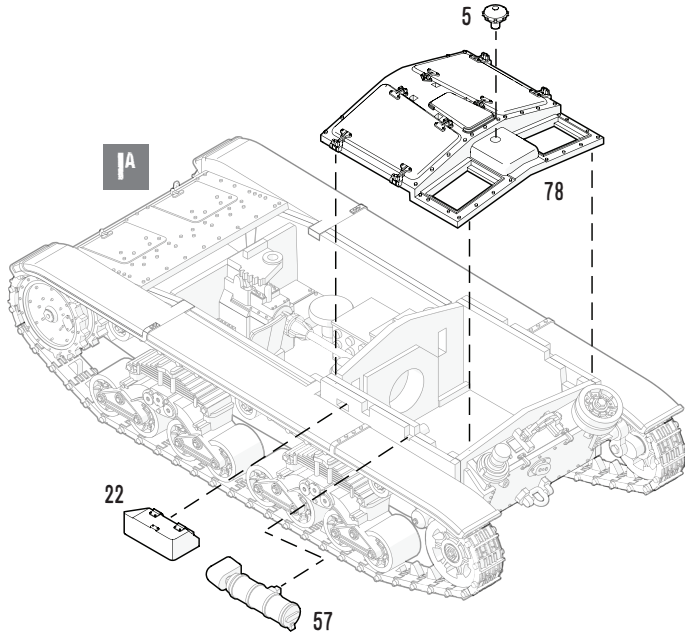
For M14/41 or Semovente 75/18 M41 only.

**I<sup>B</sup>**

For M13/40 or Semovente 75/18 M40 only.

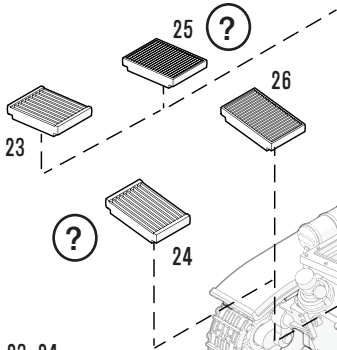


**J**

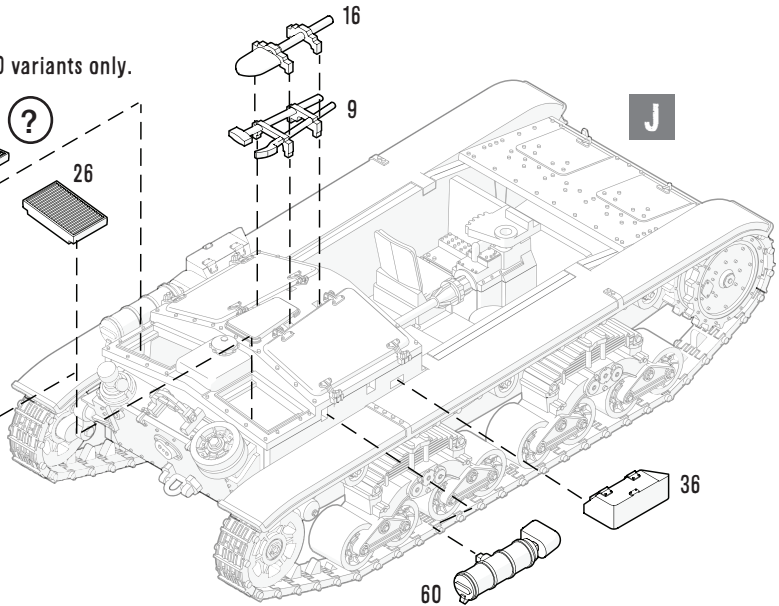


**K**

25-26  
For M40 variants only.

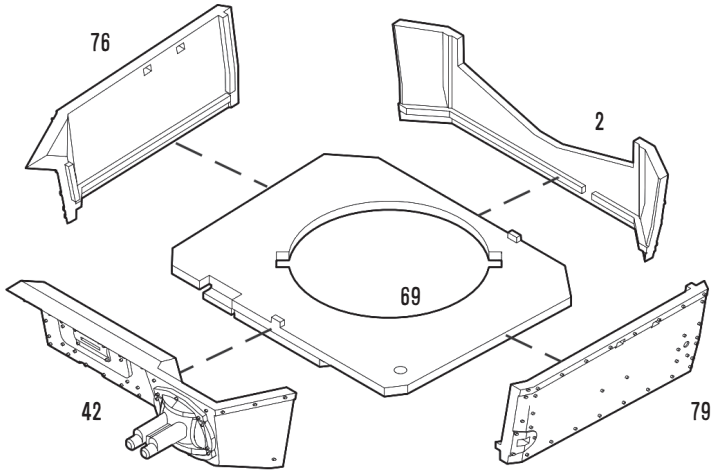


23-24  
For M41 variants only



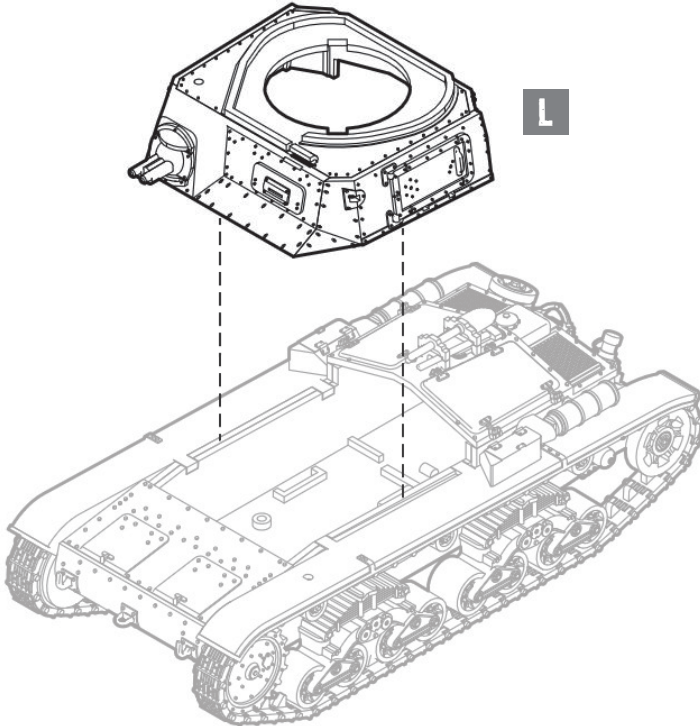
Follow stages L-S for Carro Armato M13/40 or M14/41 medium tanks only.

**L**

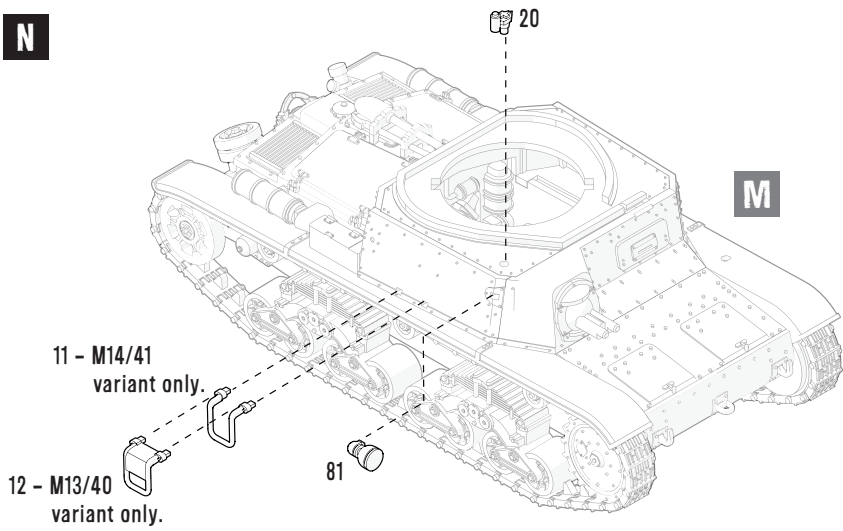


**M**

**L**



**N**



924 Russian Uniform 50%



894 Camo Olive Green 50%

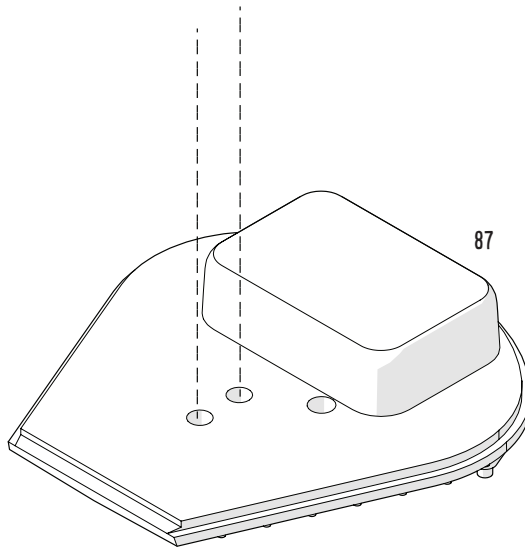


Italian army Carro Armato M14/41 in in single tone scheme -  
Albania, March 1941.

Carro Armato M13/40 and M14/41 only.

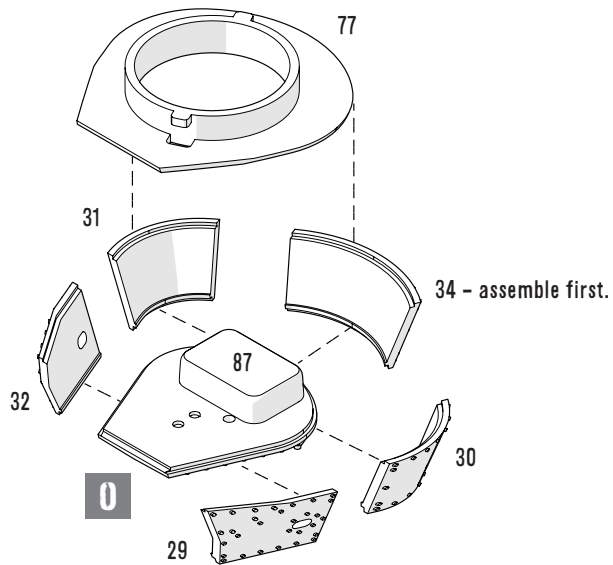
**O**

**?**  Drill holes for M14/41 variant.



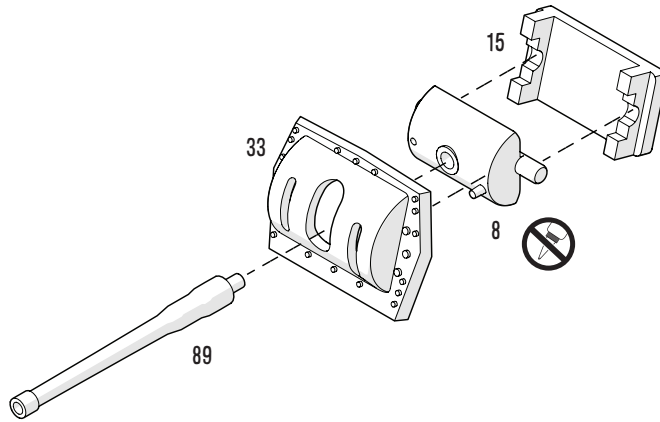
Carro Armato M13/40 and M14/41 only.

**P**



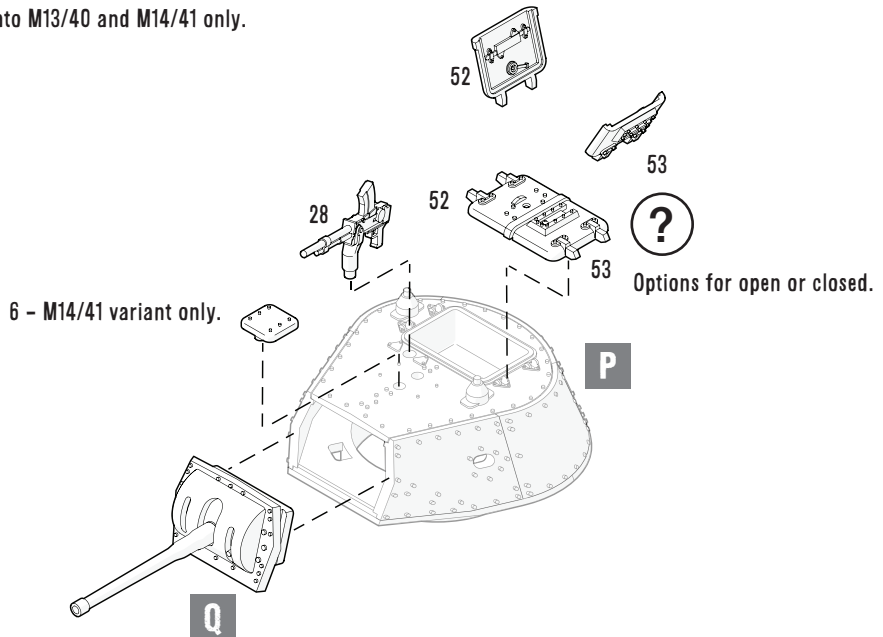
Carro Armato M13/40 and M14/41 only.

**Q**



Carro Armato M13/40 and M14/41 only.

**R**

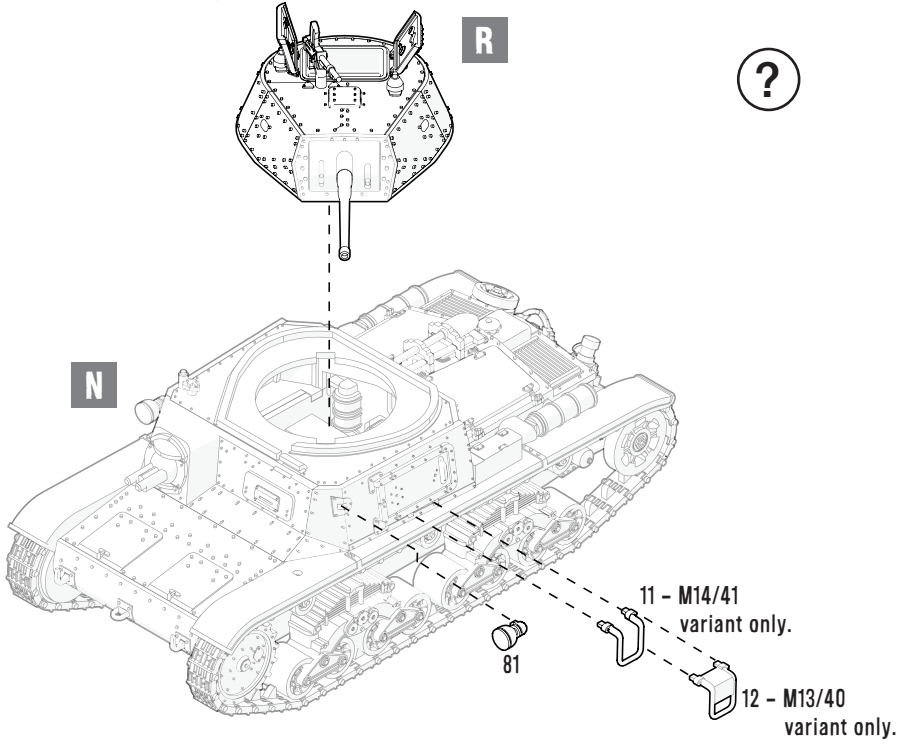


Carro Armato M13/40 and M14/41 only.

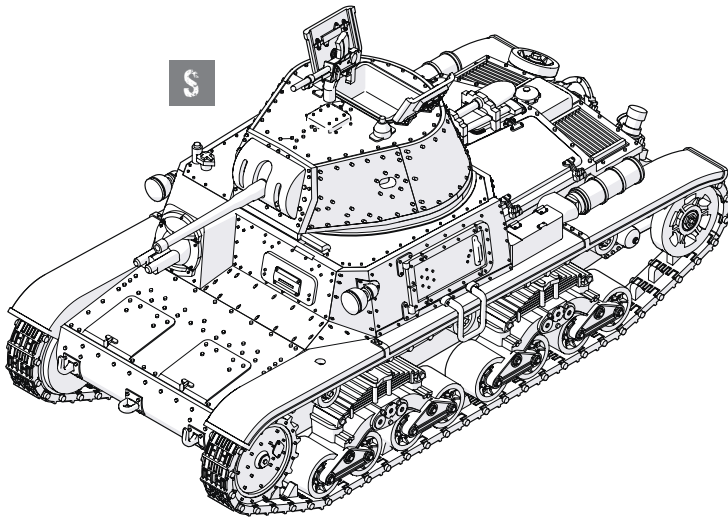
**S**

**R**

**?**

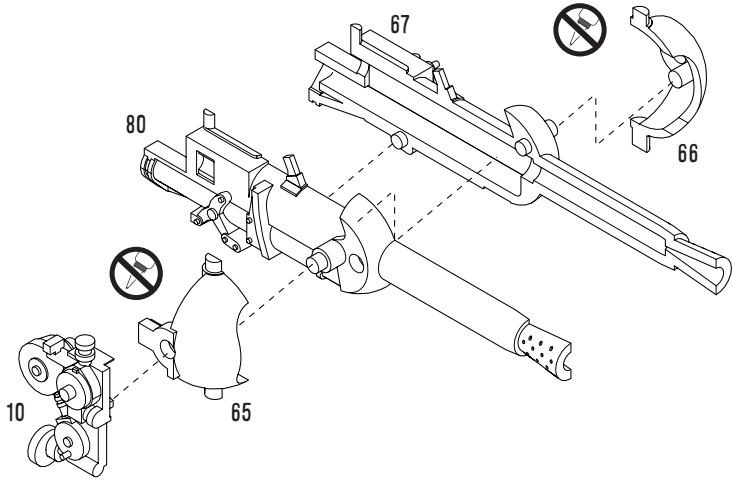


**S**

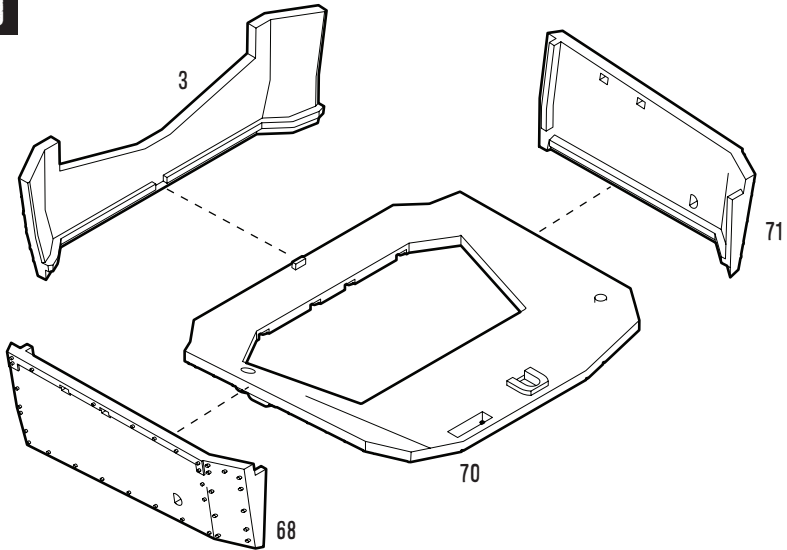


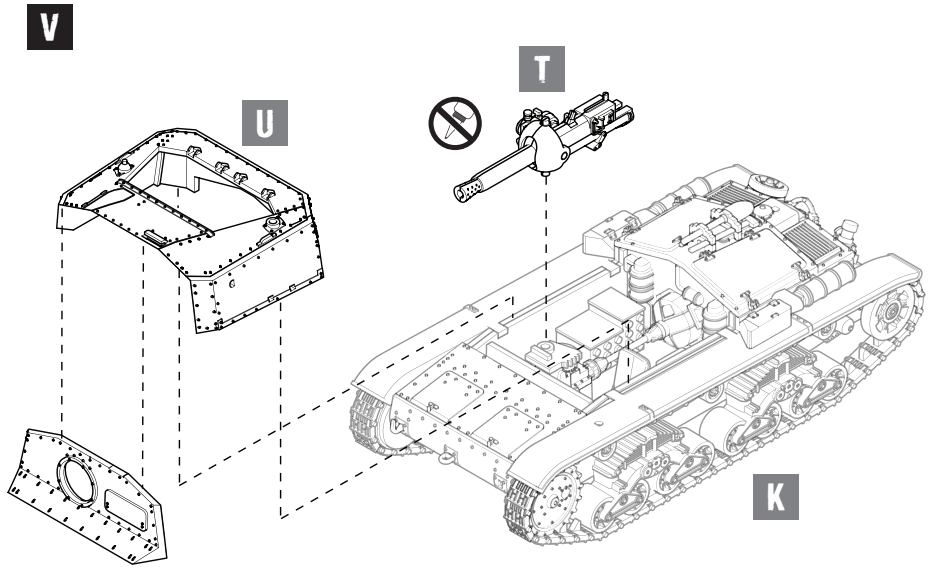
Follow stages T-X for Semovente 75/18.

**T**

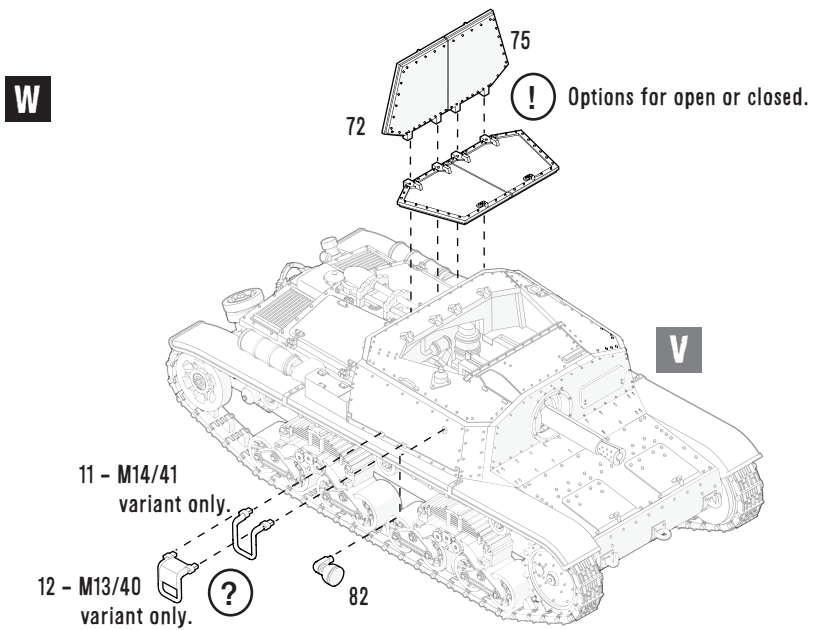


**U**





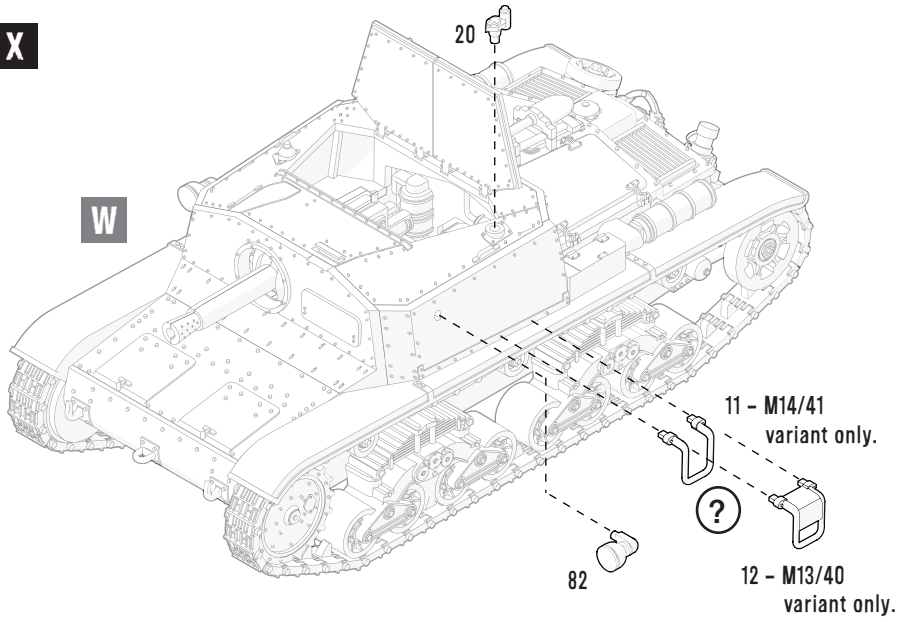
1 Attach part 1 after stages U and T are in place.






Semovente 75/18 SP gun only.

**X**

**W**



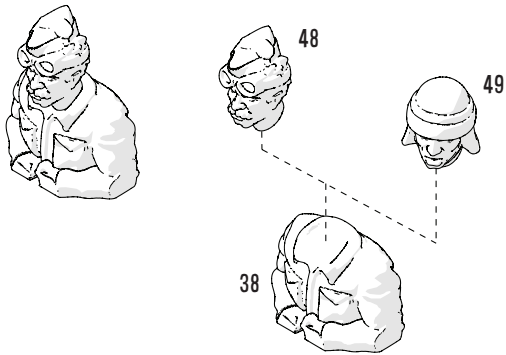
-  824 German Camo Orange Ochre
-  872 Chocolate Brown
-  894 Camo Olive Green



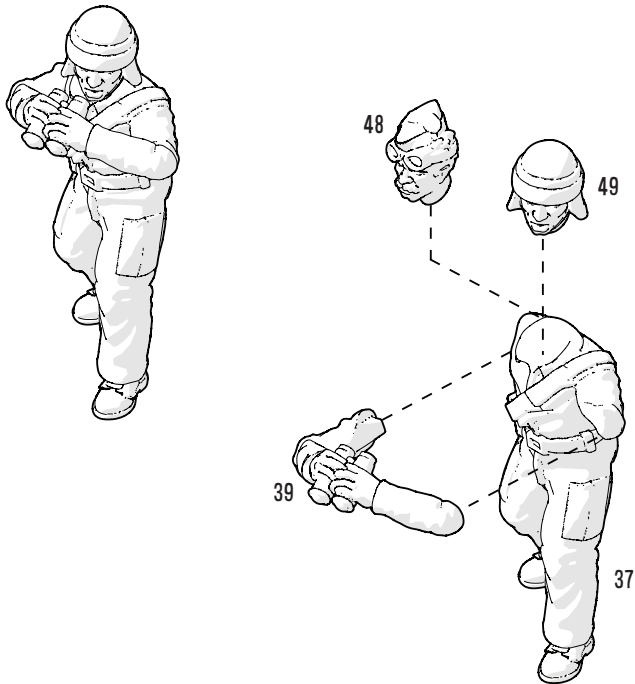
Italian army Semovente 75/18 in three tone camouflage - Italy, September 1943.

# CREW ASSEMBLY

## COMMANDER - CARRO ARMATO M13/40 AND M14/41



## COMMANDER - SEMOVENTE 75/18 SP GUN



# CARRO ARMATO M13/40 OR M14/41 MEDIUM TANK



824 German Camo Orange Ochre



894 Camo Olive Green

Italian army Carro Armato M13/40 in  
two tone camouflage -  
El Alamein, North Africa 1942.

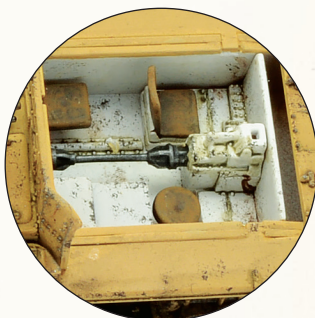
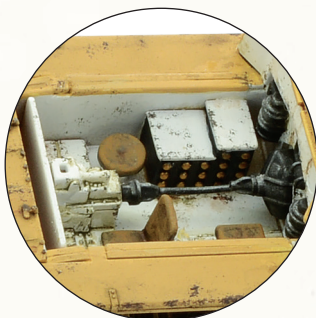


# SEMOVENTE 75/18 SELF PROPELLED-GUN

824 German Camo Orange Ochre

Italian army Semovente 75/18 in desert scheme - Tunisia, 1943.

820 Off White



Component code: 4070700002