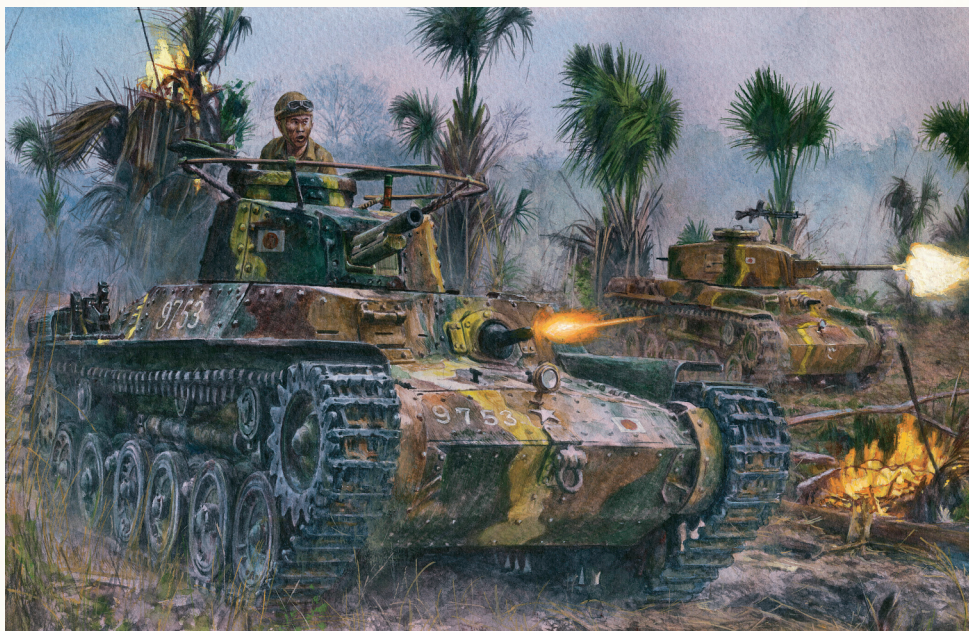




# CHI-HA MEDIUM TANK

## ASSEMBLY AND PAINTING GUIDE



With over 2,100 units made, the Type 97 Chi-Ha medium tank was the second most produced Japanese medium tank of World War II, after the smaller Type 95 Ha-Go. It saw extensive action in the Second Sino-Japanese War, the Battles of Khalkhin Gol against the Soviet Union, and throughout World War II.

The driver sat on the right and hull machine gunner to the left. The tank commander also acted as the gunner, assisted by a loader/radioman/rear machine-gunner. The Chi-Ha had no intercom so the driver had to respond to a series of twelve buttons in the turret linked to buzzers sited near the driver for instructions.







Although the Chi-Ha had no coaxial machine-gun it had a rear turret machine-gun. The turret was equipped with a relatively large commander cupola. Later, a horse-shoe radio aerial was mounted – a feature of many WWII Japanese tanks.

The Type 97 Chi-Ha was later up-gunned in a newly designed turret and designated the Type 97-Kai Shinhoto Chi-Ha.

	Chi-Ha	Shinhoto Chi-Ha
<b>No. produced:</b>	1,162	930
<b>Crew:</b>	4	5
<b>Powerplant:</b>	Air-cooled V-12 diesel	
<b>Top speed:</b>	24mph (38 km/h)	
<b>Range:</b>	130 miles (210 km)	
<b>Armament:</b>	Type 97 57mm tank gun	Type 1 47mm tank gun
	2 7.7mm Type 97 machine guns	
<b>Armour:</b>	8-25 mm	20-33 mm
<b>Weight:</b>	14.3 tonnes	16 tonnes

**WARLORD**<sup>™</sup>  
GAMES  
warlordgames.com

## ASSEMBLY GUIDE KEY

 Assembly stage	 Do Not Glue.	<b>22</b> Part number
 Previous assembly stage	 Special assembly instructions	<b>3</b> Decal number
 Optional assembly	 Drill part	<b>987</b> Paint number (Vallejo)

Follow this simple guide to building your Japanese Chi-Ha or Shinhoto Chi-Ha medium tank.

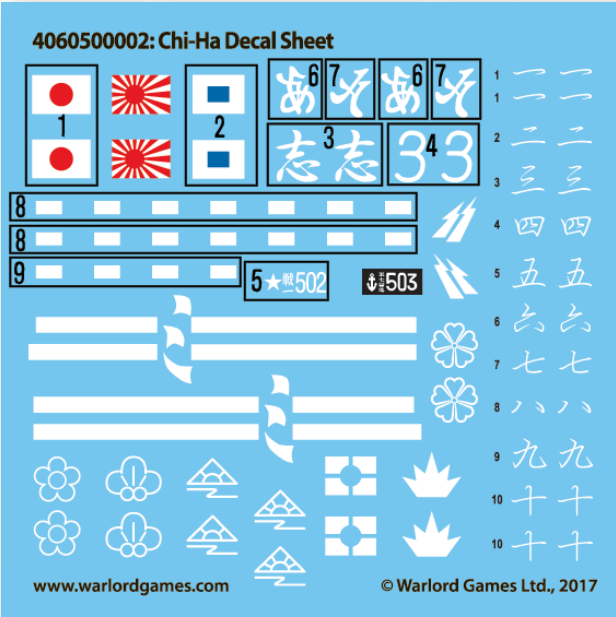
Carefully remove each component from the frame with clippers or a craft knife. Trim off excess plastic before assembling. Test fit all parts before applying glue.

We recommend using polystyrene cement to assemble the kit, and to use this in a well-ventilated area.

Keep tools, glues, paints and small components away from children. Warlord Games recommend this kit for ages 14 and over.

## DECAL APPLICATION GUIDE

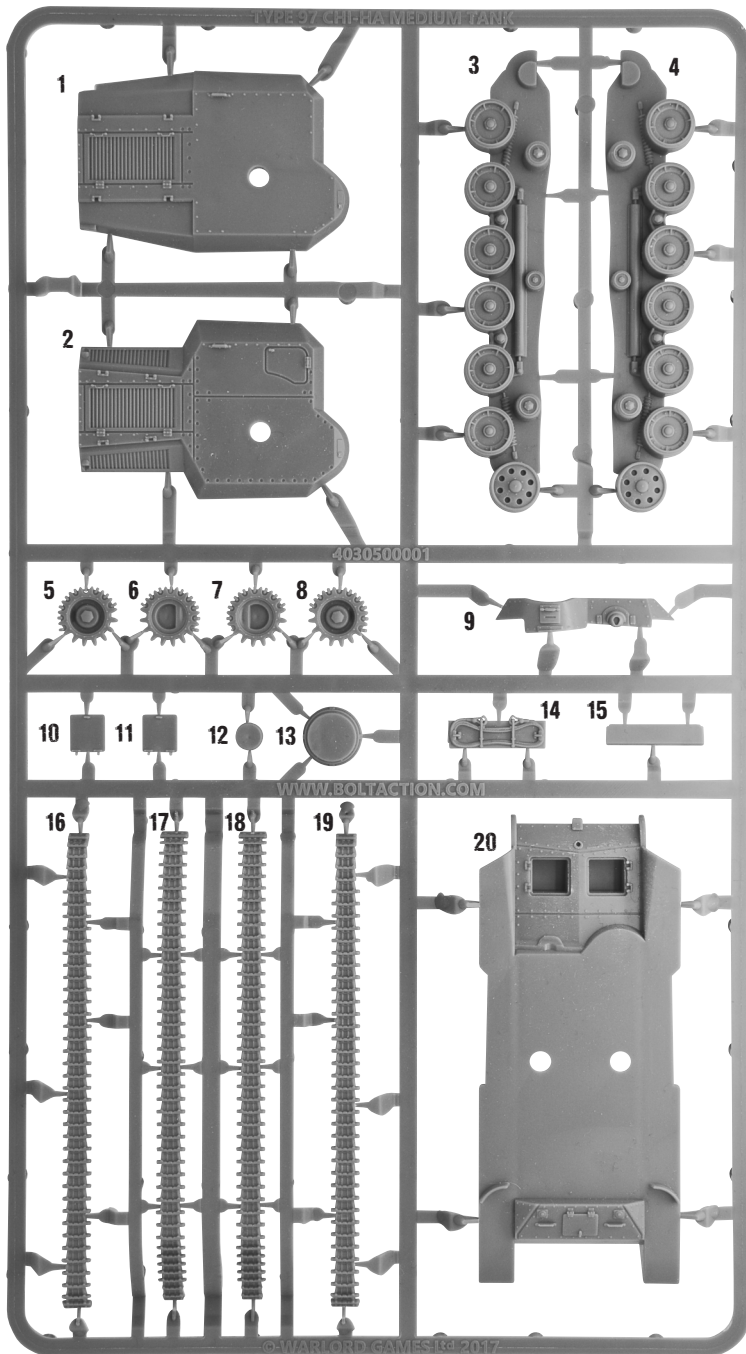
**4060500002: Chi-Ha Decal Sheet**

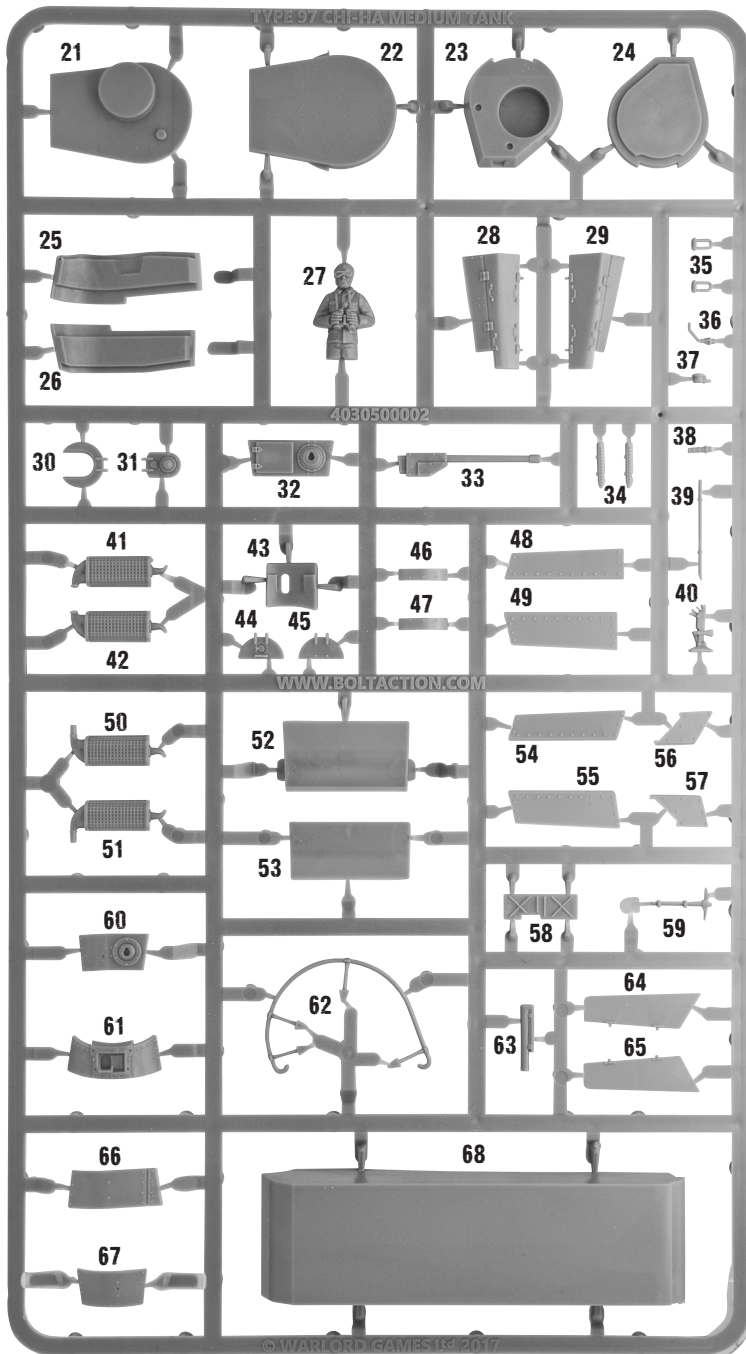


www.warlordgames.com

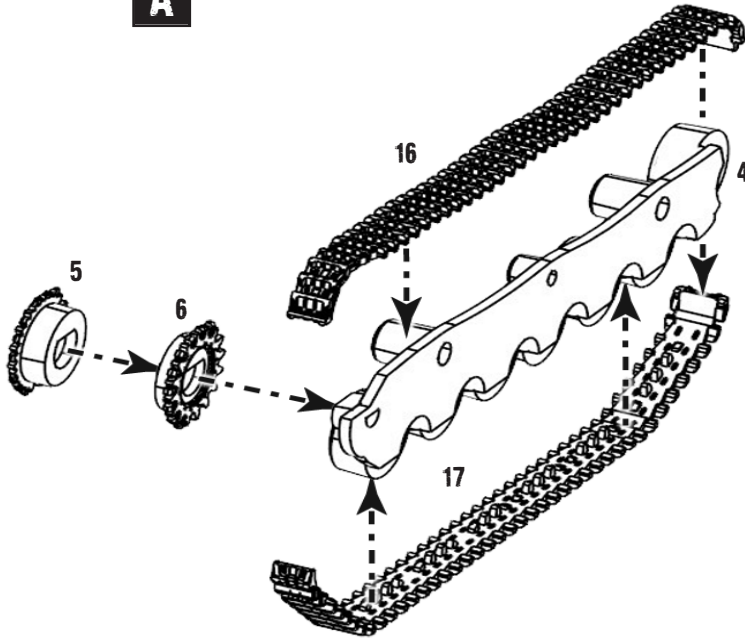
© Warlord Games Ltd., 2017

- Apply a coat of gloss varnish to the areas that will receive the decal and allow this to dry fully.
- Cut out a decal from the sheet and soak it in luke warm water for 2-3 minutes.
- Once the design has started to separate from the backing paper, use tweezers or a wet paintbrush to slide the design into place on the model.
- Use a tissue to dab away any excess water from the model, and allow to dry.
- Apply a coat of matt varnish to seal the decal in place.

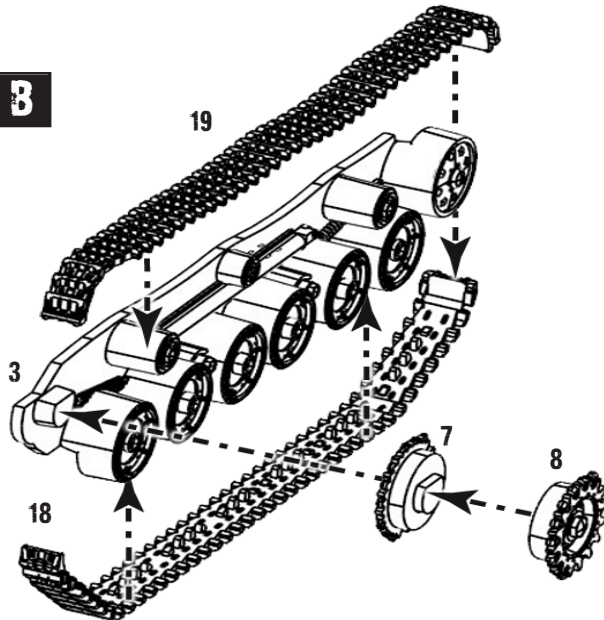




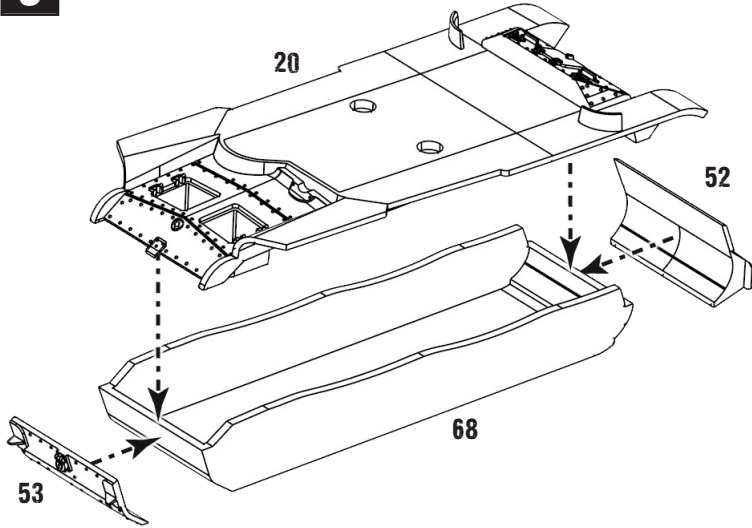
**A**



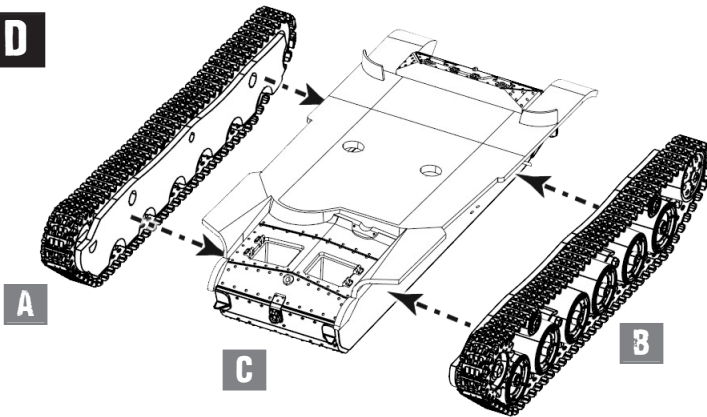
**B**



**C**

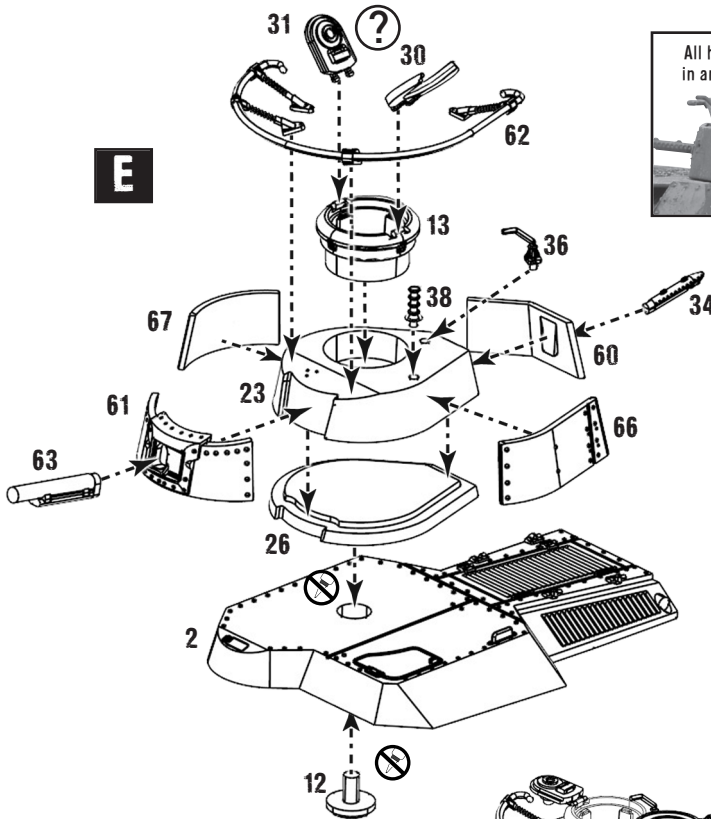


**D**



# TYPE 97 CHI-HA

Follow stages E to J to complete your model.

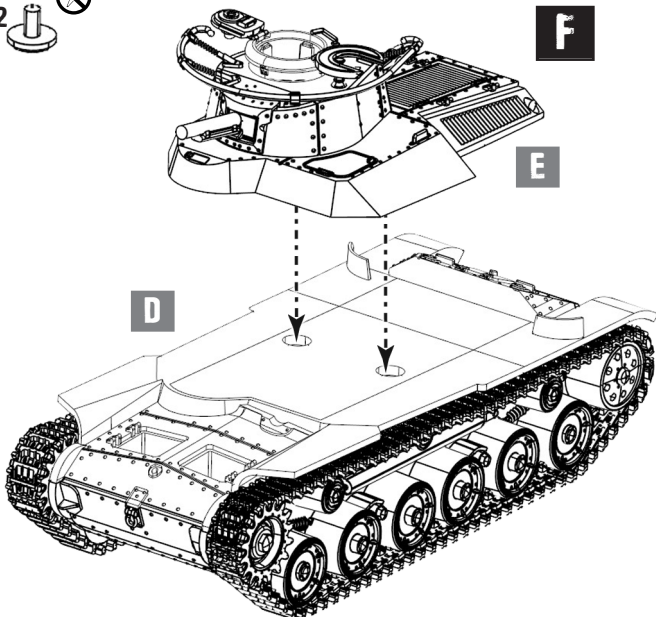


Some later models of Chi-Ha were built on the hull with larger engine deck, so you may wish to combine these two options in your own vehicles.

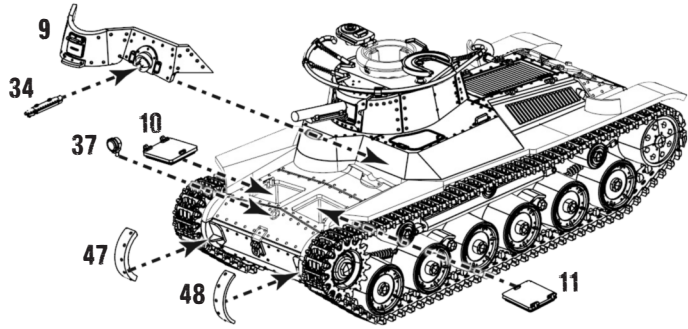
To build a Chi-Ha on a later-model hull, substitute part 1 for part 2 in Stage E, and then follow stages F, N, M & P.

All hatches can be assembled in an open or closed position, and the tank commander (part 27) can be used in any of them. Alternative commanders and crew are available from the Warlord games web store:

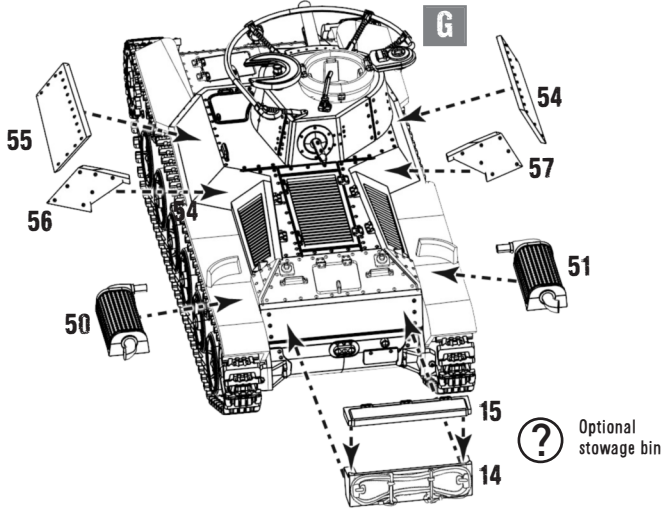
[www.warlordgames.com](http://www.warlordgames.com)



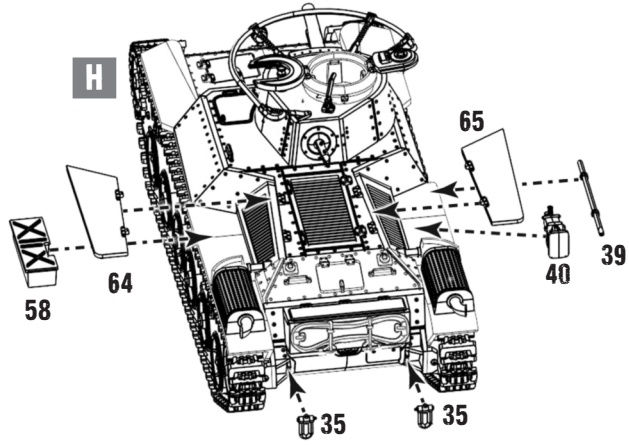
**G**



**H**



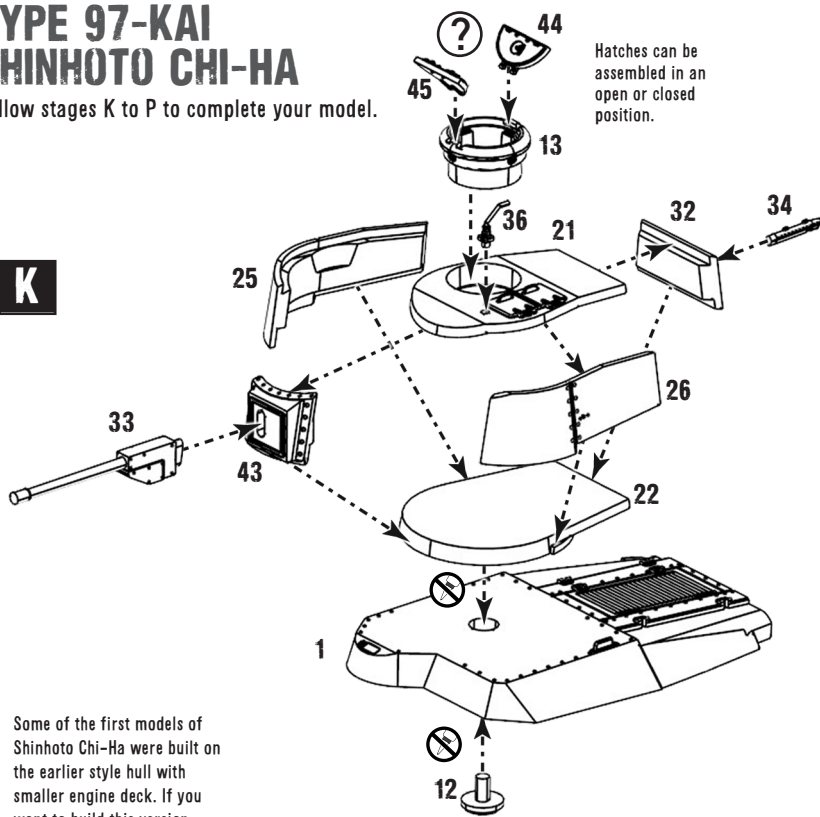
**J**



# TYPE 97-KAI SHINHOTO CHI-HA

Follow stages K to P to complete your model.

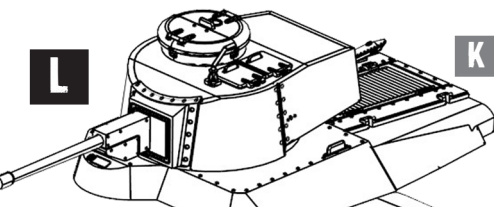
**K**



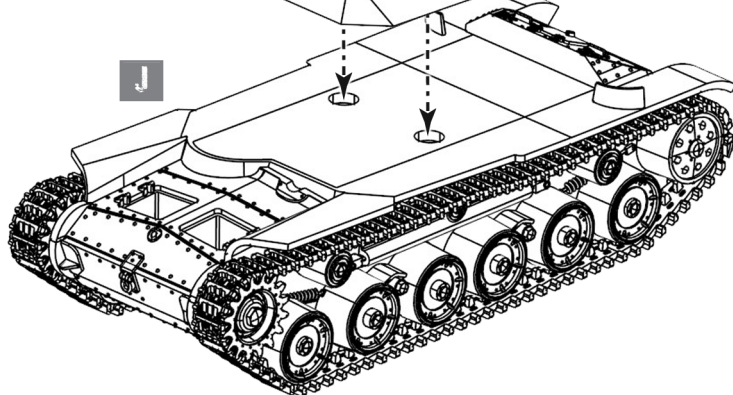
Some of the first models of Shinhoto Chi-Ha were built on the earlier style hull with smaller engine deck. If you want to build this version substitute part 2 for part 1 in Stage K, and then follow stages L, G, H & J.

**L**

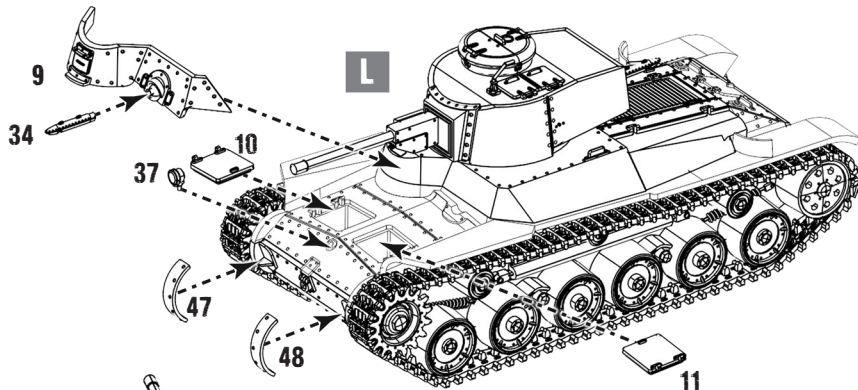
**K**



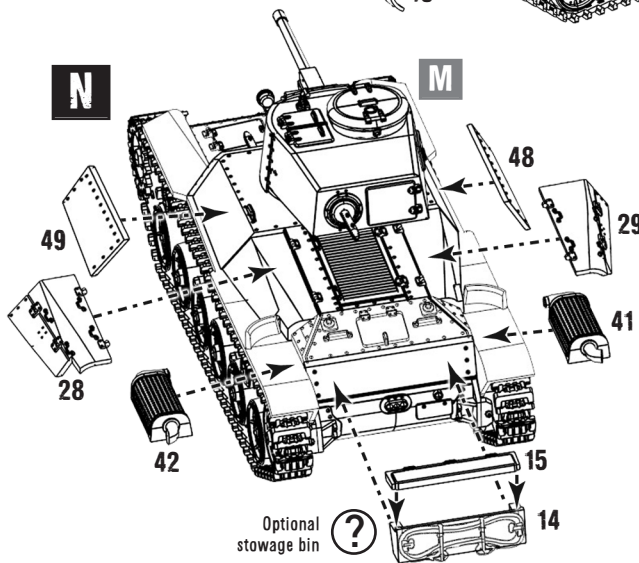
**J**



**M**

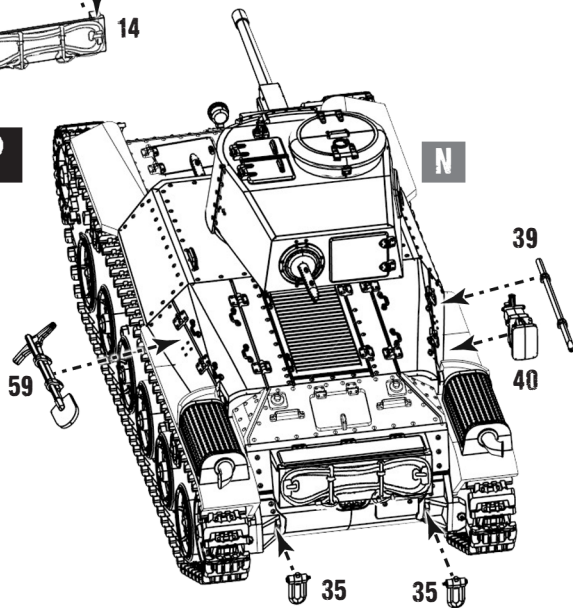


**N**



Optional stowage bin ?

**P**



# TYPE 97 CHI-HA



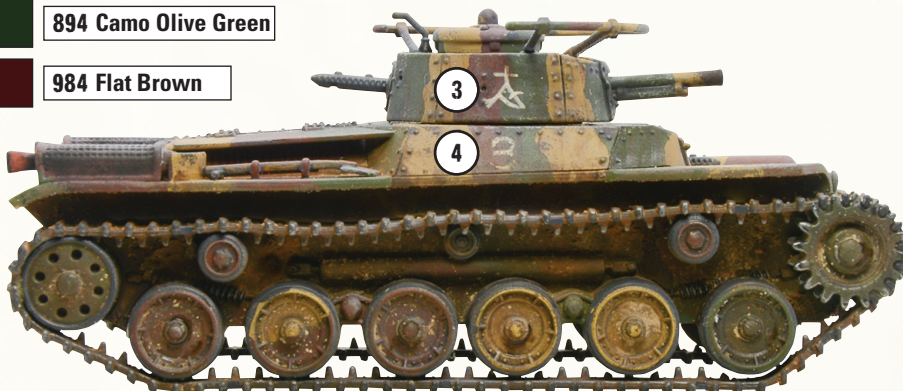
Army Painter Desert Yellow



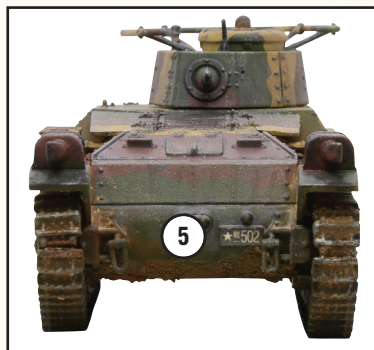
894 Camo Olive Green



984 Flat Brown



1st Tank Regiment,  
Malaya, December 1941



Command tank of the 5th Tank Regiment,  
1st Armoured Division, Japan, 1945



894 Camo Olive Green

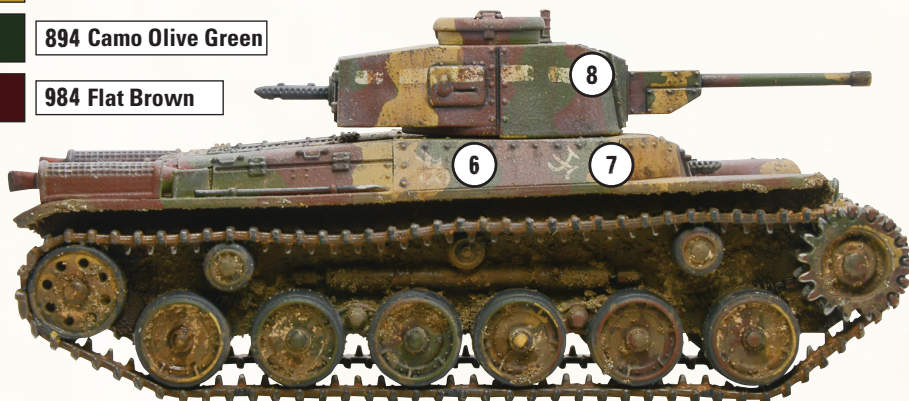


# TYPE 97-KAI SHINHOTO CHI-HA

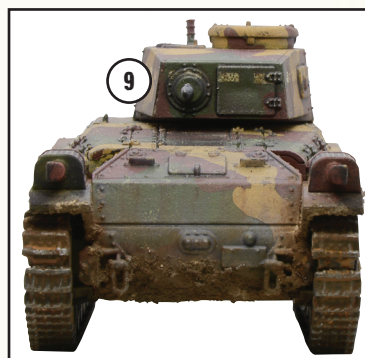
 Army Painter Desert Yellow

 894 Camo Olive Green

 984 Flat Brown



Regimental Command platoon,  
9th armoured Regiment, Saipan, 1944

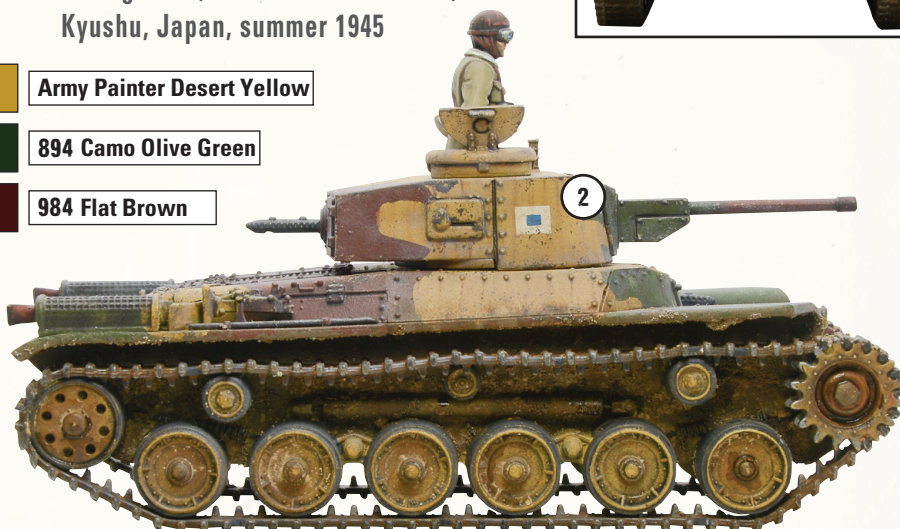


5th Tank Regiment, 1st Armored Division,  
Kyushu, Japan, summer 1945

 Army Painter Desert Yellow

 894 Camo Olive Green

 984 Flat Brown



Component code: 4070500001