

# KATYUSHA

## ASSEMBLY AND PAINTING GUIDE



Rain fire from the skies with the Katyusha!

The Soviet Army made great use of multiple rocket launcher systems during the Second World War, and German soldiers learned to fear the shriek of its incoming projectiles – grimly nicknaming it "Stalin's Organ". Combining a rail-launching system with any number of commercial or Lend-Lease trucks, they were cheap and simple to make, and lethally effective when their payloads struck home.

Tens of thousands were built, and often deployed en masse to saturate the battlefield with high explosive.

Packed with detail, this multi-part plastic kit is a great opportunity to add some serious indirect fire capability to your Soviet Armoured Platoon.

### Katyusha multiple rocket launcher

|                      |  |
|----------------------|--|
| <b>Manufacturer:</b> | Voronezh Plant Comintern                                     |
| <b>Designed:</b>     | Before 1941  |
| <b>Produced:</b>     | 1941–1970  |
| <b>No. built:</b>    | More than 100,000  |
| <b>Type:</b>         | 2½-ton 6x6 trucks<br>and 5-ton 6x4 trucks                    |
| <b>Mass:</b>         | 9,875 lb (4,479 kg) empty                                    |
| <b>Top speed:</b>    | 45 mph (72 km/h)   |
| <b>Length:</b>       | 20 ft 11 in (6.38 m)   |
| <b>Width:</b>        | 7 ft 4 in (2.24 m)   |
| <b>Height:</b>       | 7 ft 3 in (2.21 m) top of cab<br>8 ft 10 in (2.69 m) overall |
| <b>Engine:</b>       | Hercules JXD inline-6 gasoline motor<br>86 hp (64 kW)        |
| <b>Transmission:</b> | 5 speed x 2 range transfer case                              |
| <b>Suspension:</b>   | Beam axles on leaf springs                                   |
| <b>Range:</b>        | 236 mi (380 km)  |

## ASSEMBLY GUIDE KEY



Assembly stage



Do not glue

22

Part number



Previous assembly stage



Optional assembly



Special assembly instructions

Follow this simple guide to build your Katyusha multiple rocket launcher.

Carefully remove each component from the frame with clippers or a craft knife. Trim off excess plastic before assembling. Test fit all parts before applying glue.

We recommend using plastic glue to assemble the kit. Please follow all usage and safety advice given on the product.

Keep tools, glues, paints and small components away from children. Warlord Games recommends this kit for ages 14 and over.

## DECAL APPLICATION GUIDE

- Apply a coat of gloss varnish to the areas that will receive the decal and allow this to dry fully.
- Cut out a decal from the sheet and soak it in lukewarm water for 1-2 minutes.
- Once the design has started to separate from the backing paper, use tweezers or a wet paintbrush to slide the design into place on the model.
- Use a tissue to dab away any excess water from the model and allow to dry.
- Apply a coat of matt varnish to seal the decal in place.



**A** - Soviet slogans

**B** - Soviet stars

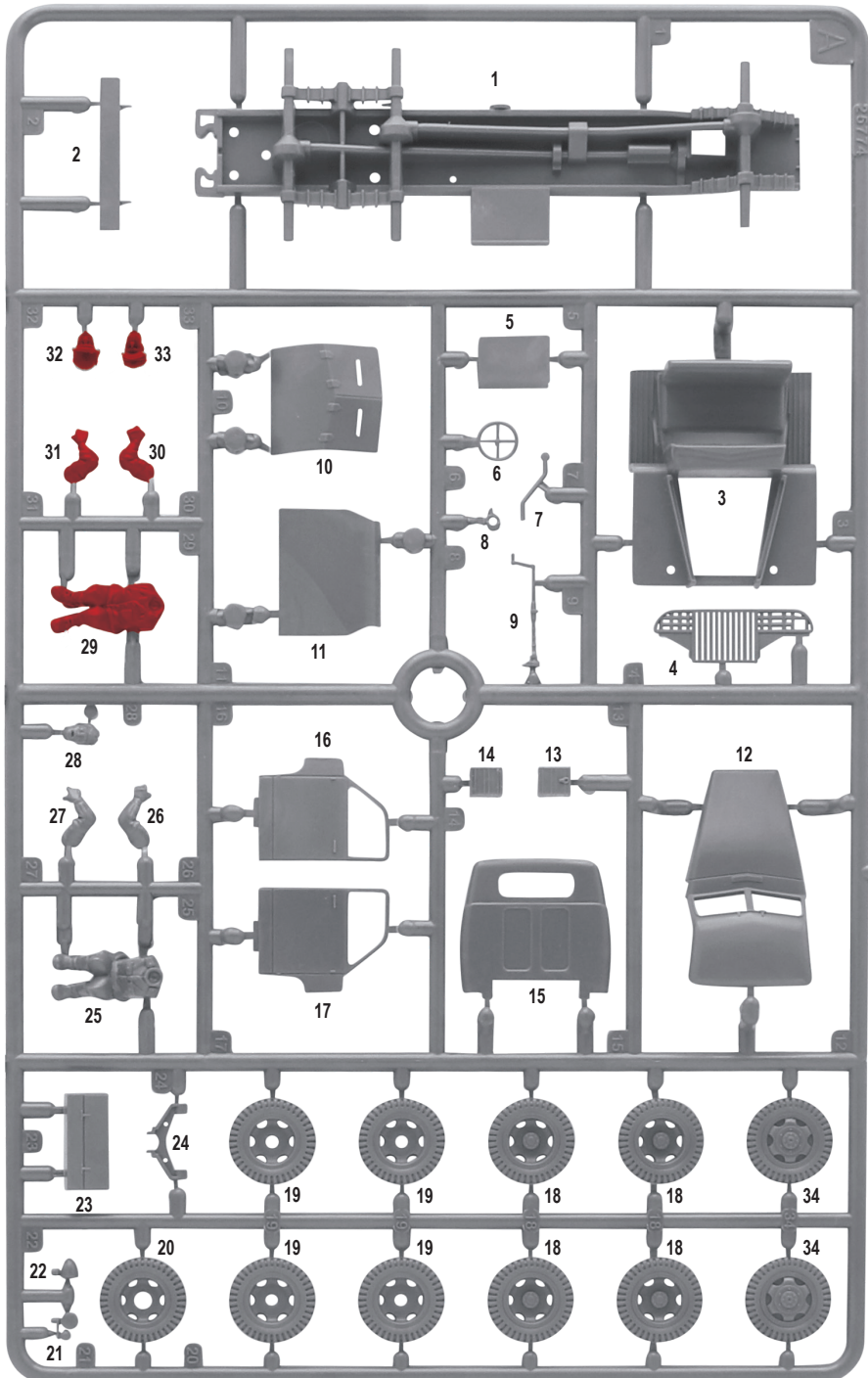
**C** - Soviet stars

**D** - Soviet stars

**E** - Soviet numbers

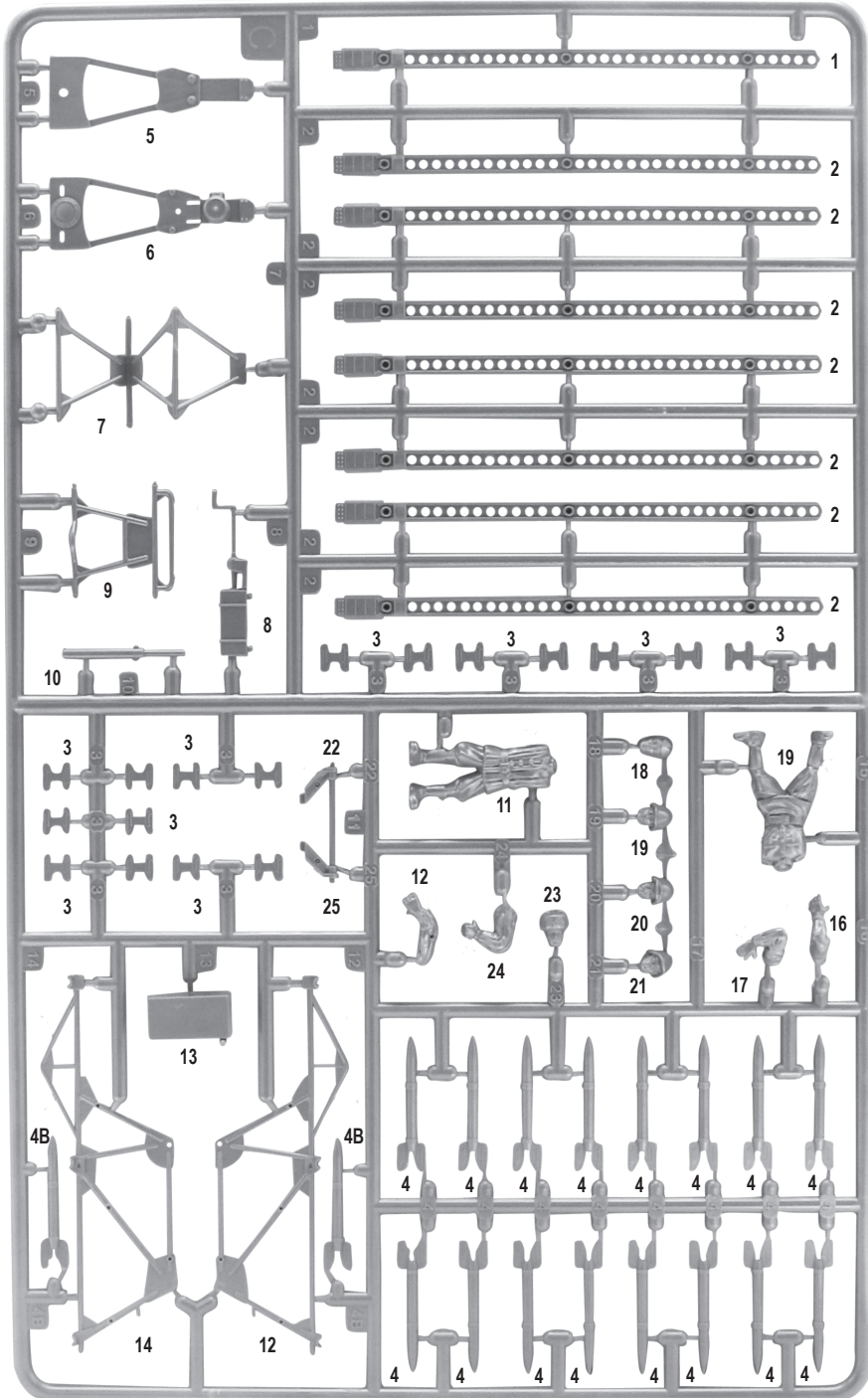
**F** - Soviet squad markings

# Sprue A



Components highlighted in red are not required to build the Katyusha Multiple Rocket Launcher.

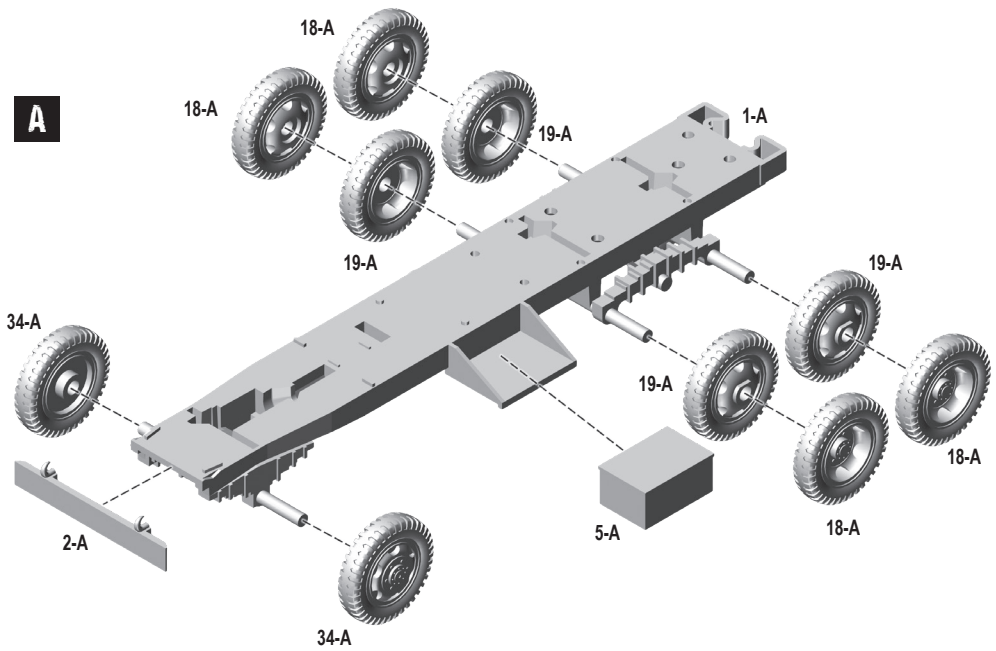
Sprue C



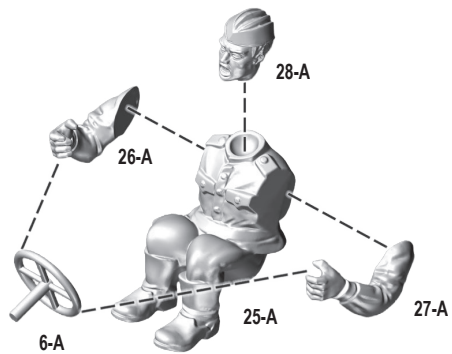
## Sprue B



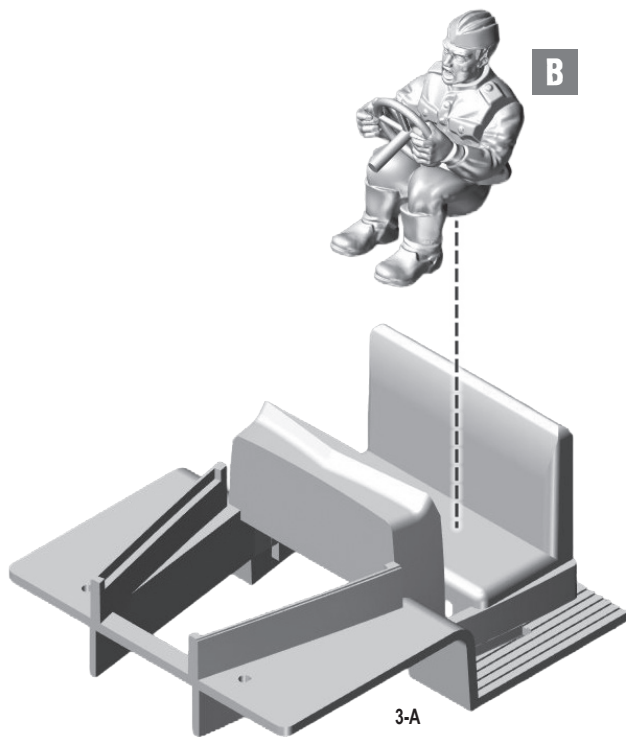
Part numbers are organised into groups with the letter A, B, and C, identifying the sprue where the part is located.  
For example, part number 23-A refers to part 23 on sprue A.



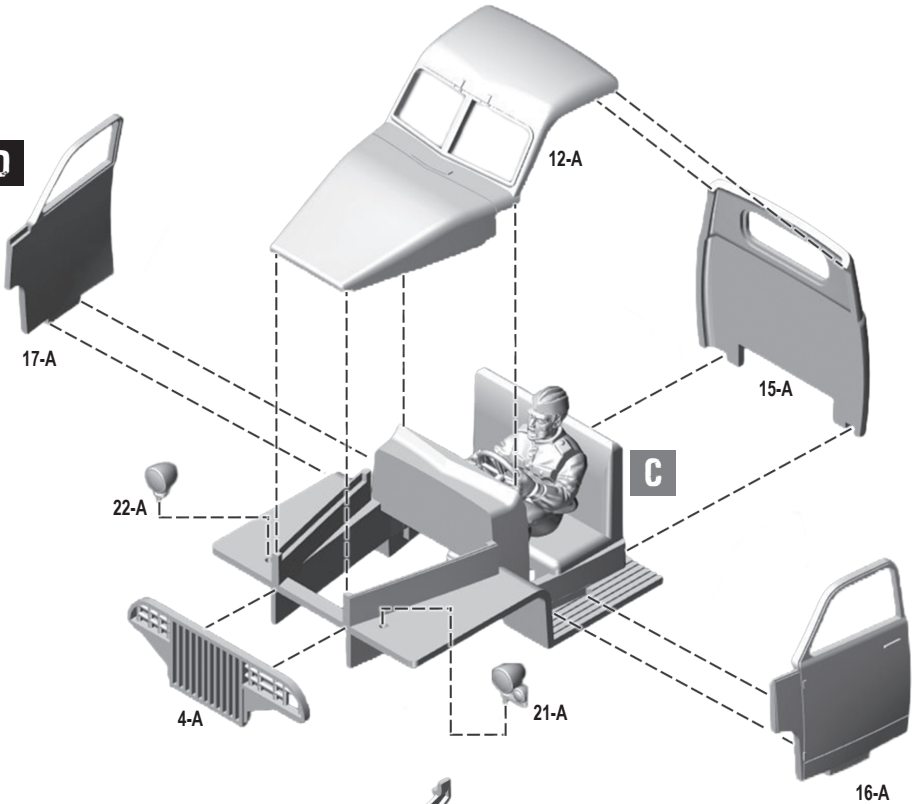
**B**



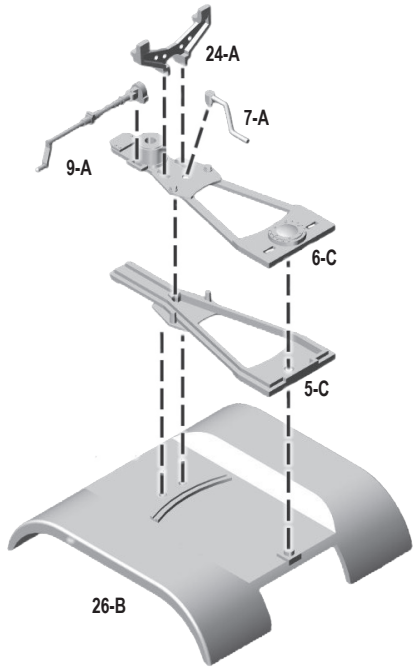
**C**



**D**



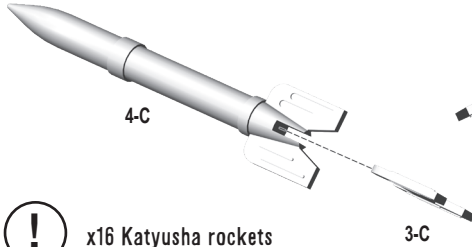
**E**





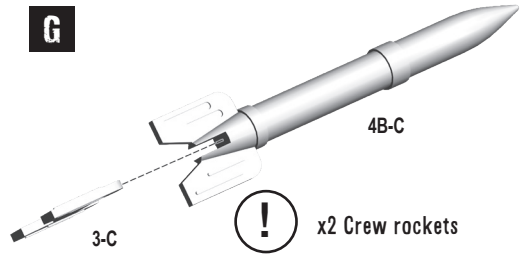


**F**



! x16 Katyusha rockets

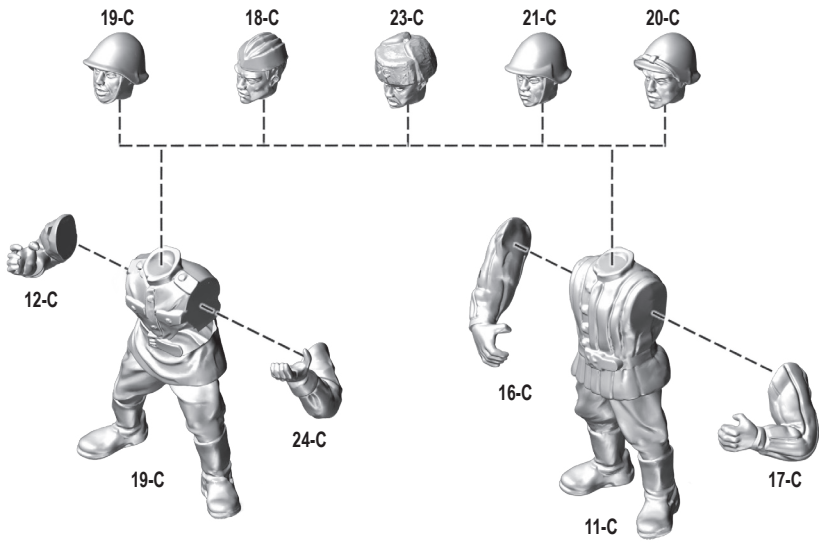
**G**



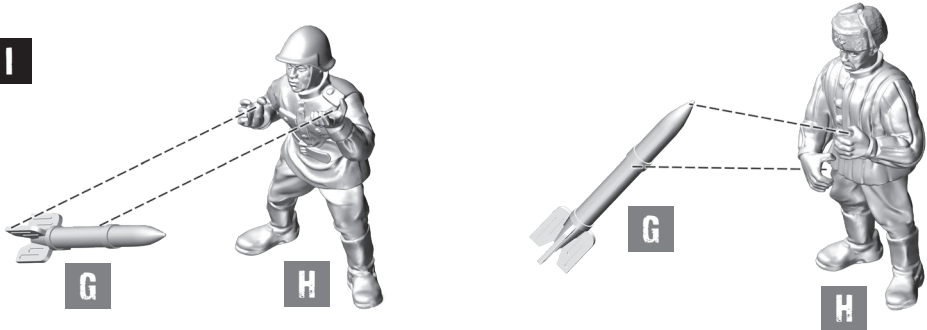
! x2 Crew rockets

**H**

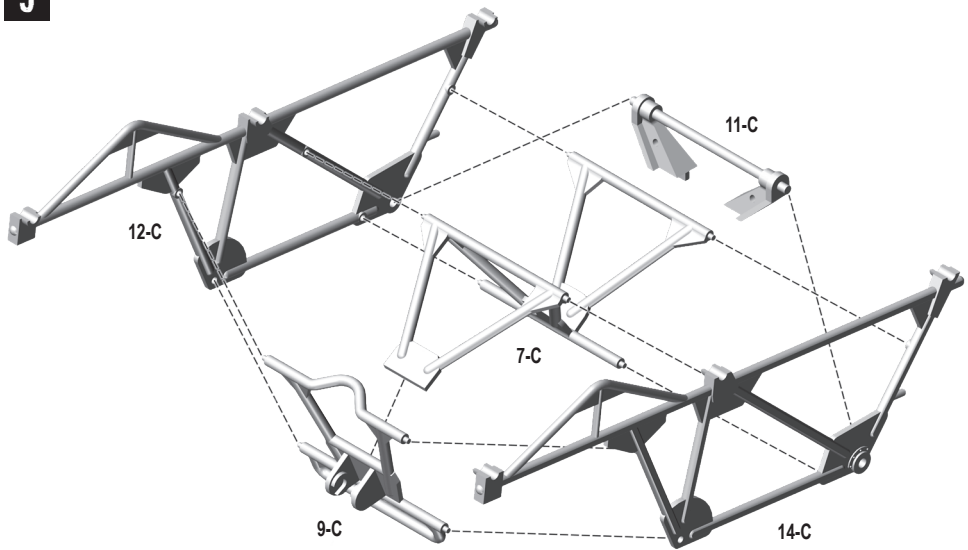
? Head options



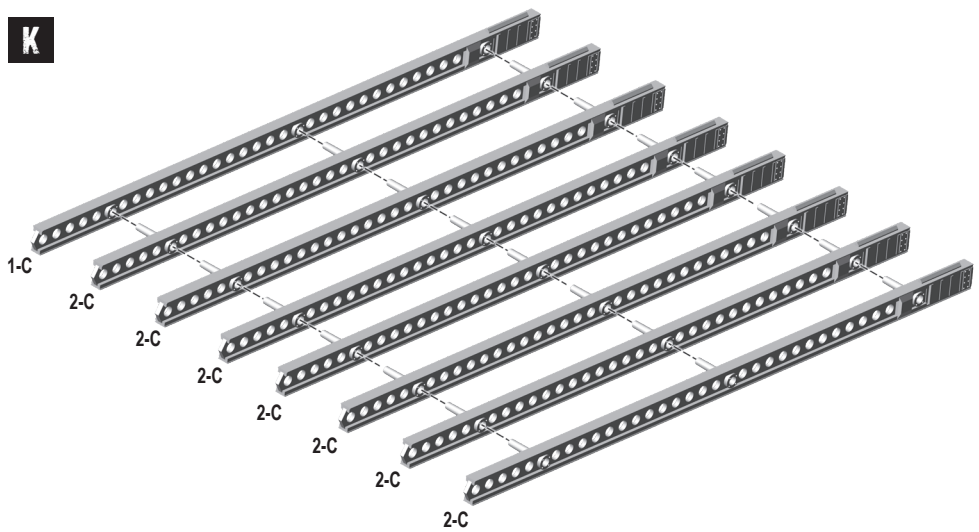
**I**



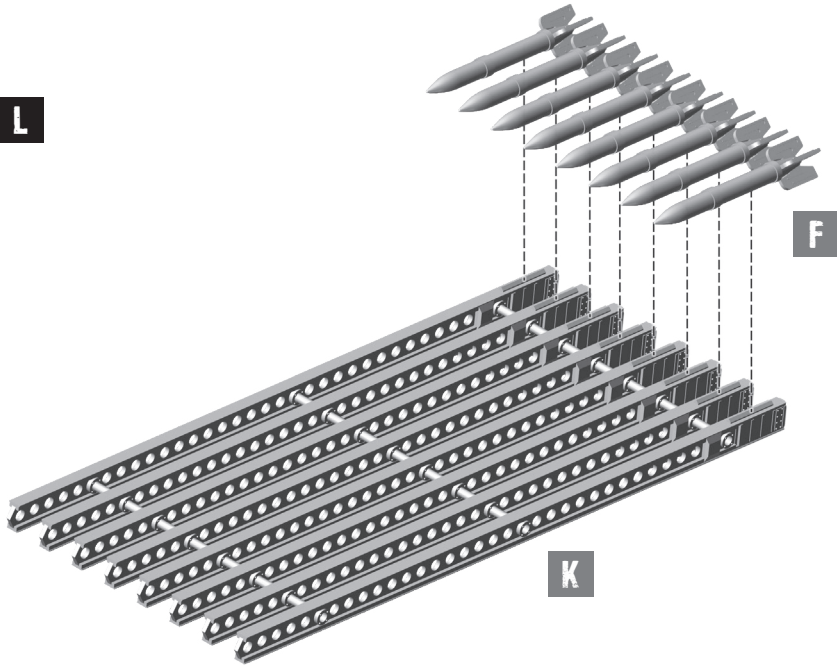
**J**



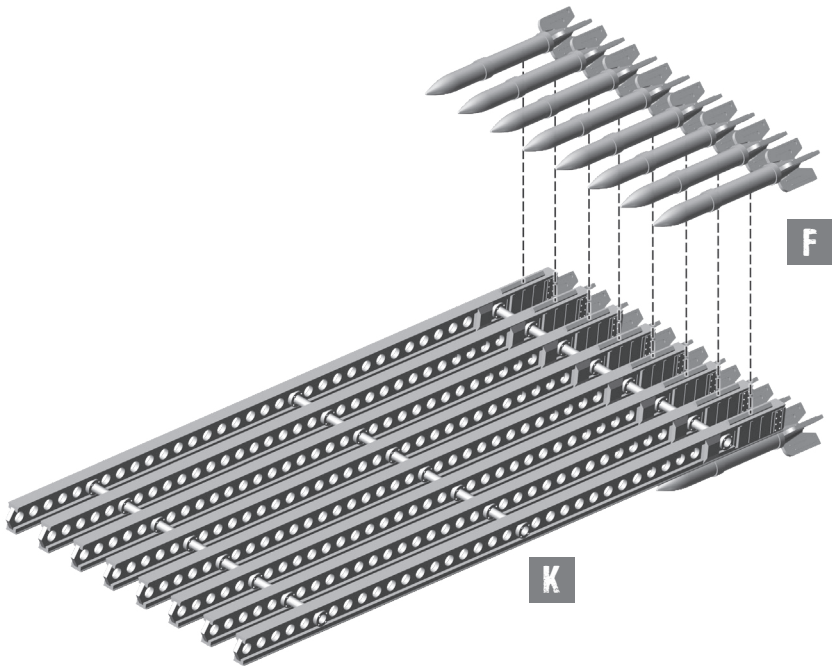
**K**



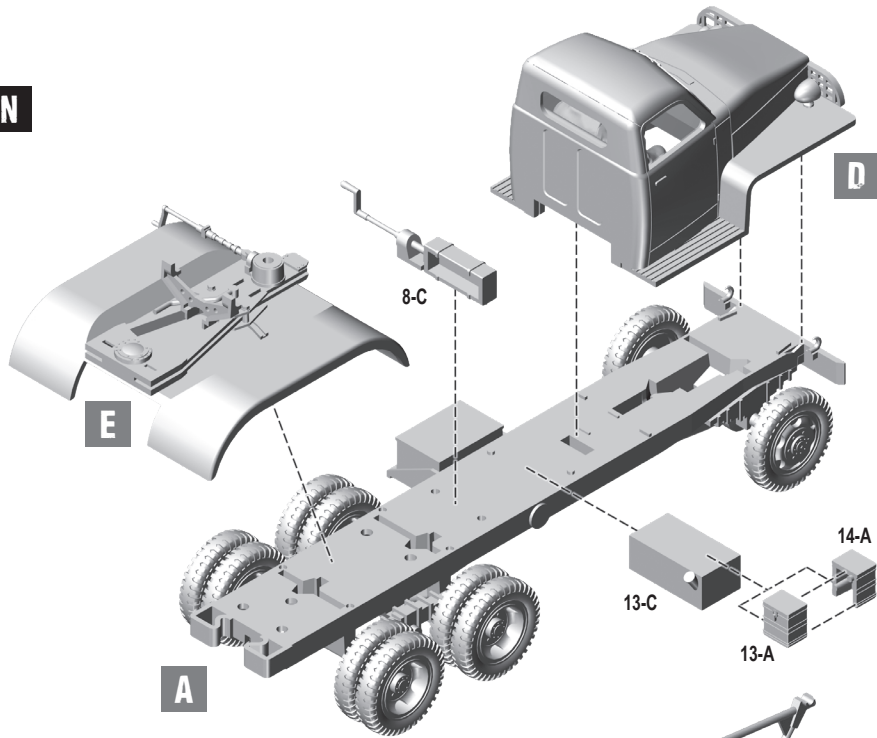
L



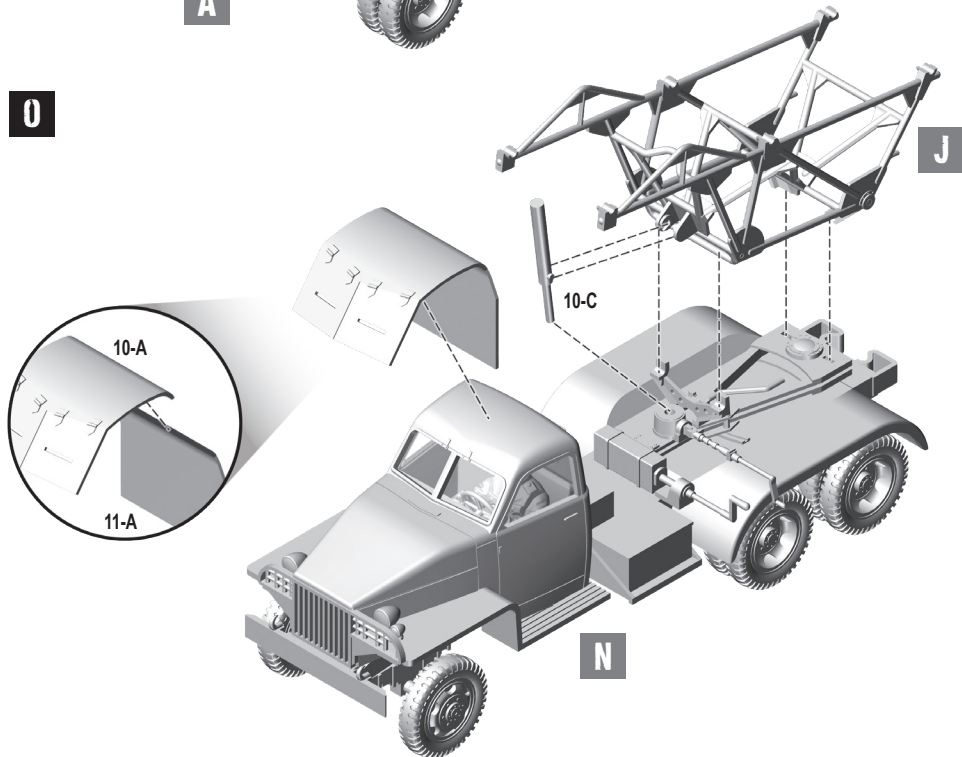
M



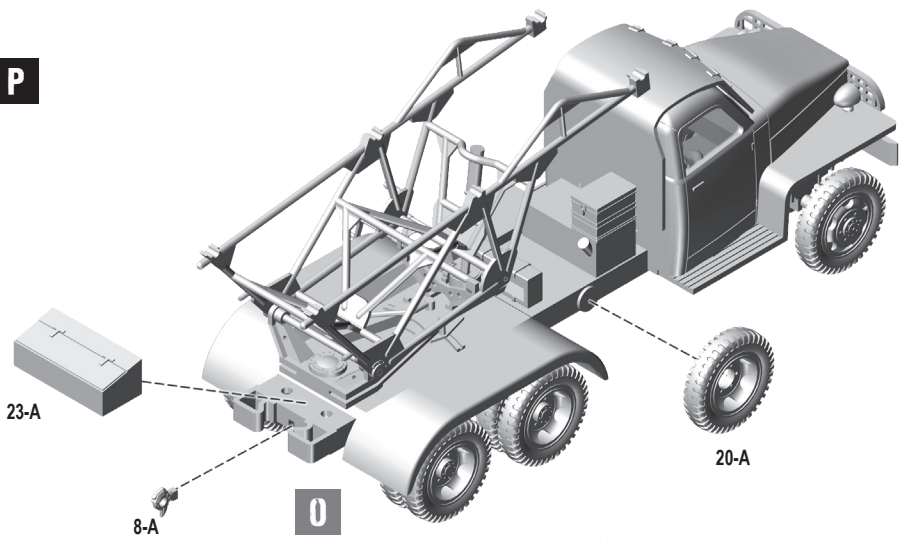
**N**



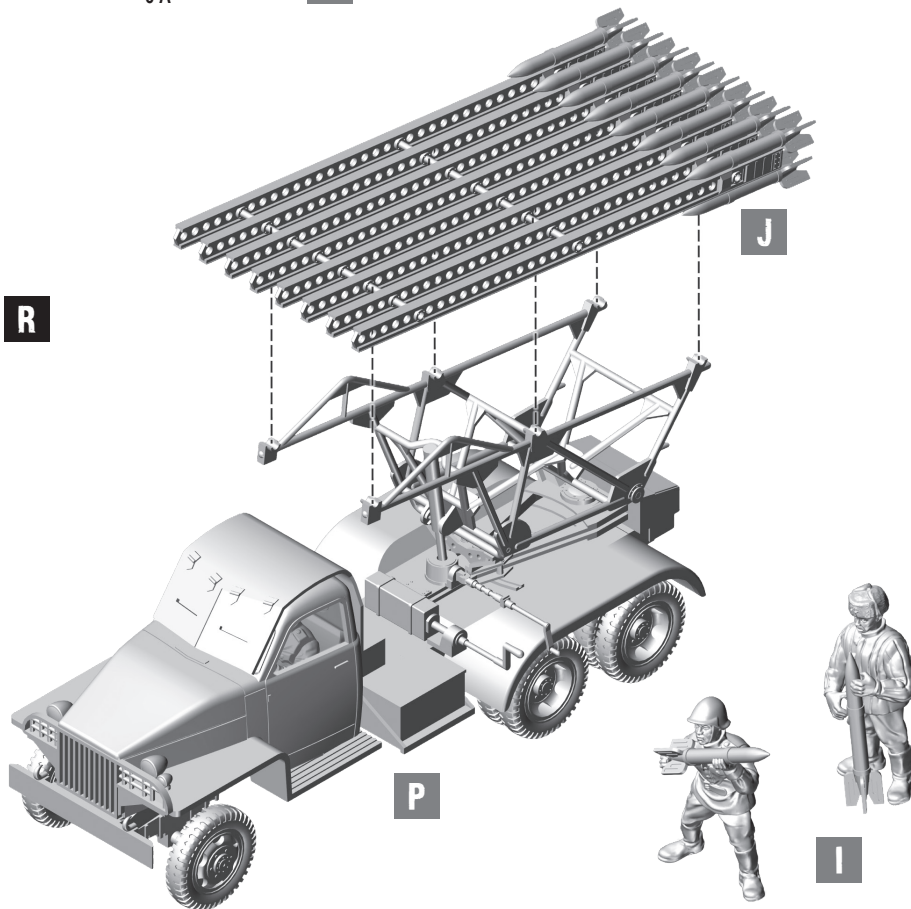
**O**



**P**



**R**



# KATYUSHA

Warpaints Fanatic Olive Drab

Warpaints Fanatic Leafy Green

Warpaints Fanatic Matt Black



# KATYUSHA

Warpaints Fanatic Olive Drab

Warpaints Fanatic Leafy Green

Warpaints Fanatic Matt Black

Warpaints Fanatic Brainmatter Beige



Component code: 407040010