

# HUMBER Mk II/IV ARMoured CAR

## ASSEMBLY AND PAINTING GUIDE



The British and Commonwealth forces operated a considerable reconnaissance element that scouted ahead of the main armoured force, searching for enemy troop positions and dispositions. The Humber Armoured Car was one such vehicle used for this role, more than able to hold its own against other light vehicles and infantry. From the parched deserts of Africa to the streets and fields of Europe, the Humber Armoured Car spearheaded the Allied advance.

Replacing the ageing Humber Light Reconnaissance Car, the newly designed Humber Armoured Car quickly became a mainstay of the Commonwealth forces, particularly in the North Africa desert war. Initially armed with one 15mm and one 7.92mm Besa machine guns. The later Mk IV replaced the 15mm gun with a US M5 or M6 37mm anti-tank gun. So successful was the Humber that it served throughout the war, including in the North West Europe and Burma campaigns.

### Humber Mk II-IV armoured car

<b>No. produced:</b>	Approx. 5,400
<b>Crew:</b>	3
<b>Powerplant:</b>	Rootes 6 cyl petrol engine 90 hp (67 kW)
<b>Top speed:</b>	50 mph (80 km/h)
<b>Range:</b>	200 mi (320 km)
<b>Armament:</b>	<b>Mk II:</b> 15 mm Besa machine gun <b>Mk IV:</b> US made M5 or M6 37 mm gun <b>All versions –</b> 7.92 mm Besa machine gun
<b>Armour:</b>	15 mm (0.59")
<b>Weight:</b>	12.9/tonnes (28439 lb)

## ASSEMBLY GUIDE KEY



Assembly stage



Do not glue

22

Part number



Previous assembly stage



Special assembly instructions



Decal number



Optional assembly



Drill part

987

Paint number (Vallejo)

Follow this simple guide to build your Humber Mk II-IV armoured car in the variant of your choice.

Carefully remove each component from the frame with clippers or a craft knife. Trim off excess plastic before assembling. Test fit all parts before applying glue.

We recommend using polystyrene cement to assemble the kit, and to use this in a well-ventilated area.

Keep tools, glues, paints, and small components away from children. Warlord Games recommend this kit for ages 14 and over.

## DECAL APPLICATION GUIDE

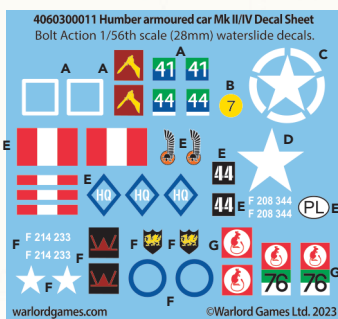
- Apply a coat of gloss varnish to the areas that will receive the decal and allow this to dry fully.
- Cut out a decal from the sheet and soak it in luke warm water for 1-2 minutes.
- Once the design has started to separate from the backing paper, use tweezers or a wet paintbrush to slide the design into place on the model.
- Use a tissue to dab away any excess water from the model, and allow to dry.
- Apply a coat of matt varnish to seal the decal in place.

**A** - 8th (King George V's Own) Lancers, 50th Indian Tank Brigade, Burma 1944-45

**B** - Bridging Disc (all versions)

**C** - 8th (King George V's Own) Lancers, 50th Indian Tank Brigade, Burma 1944-45

**D** - 1st Armoured Division (Poland), North West Europe, 1944-45 & 43rd (Wessex) Reconnaissance Regiment, North West Europe, 1944-45

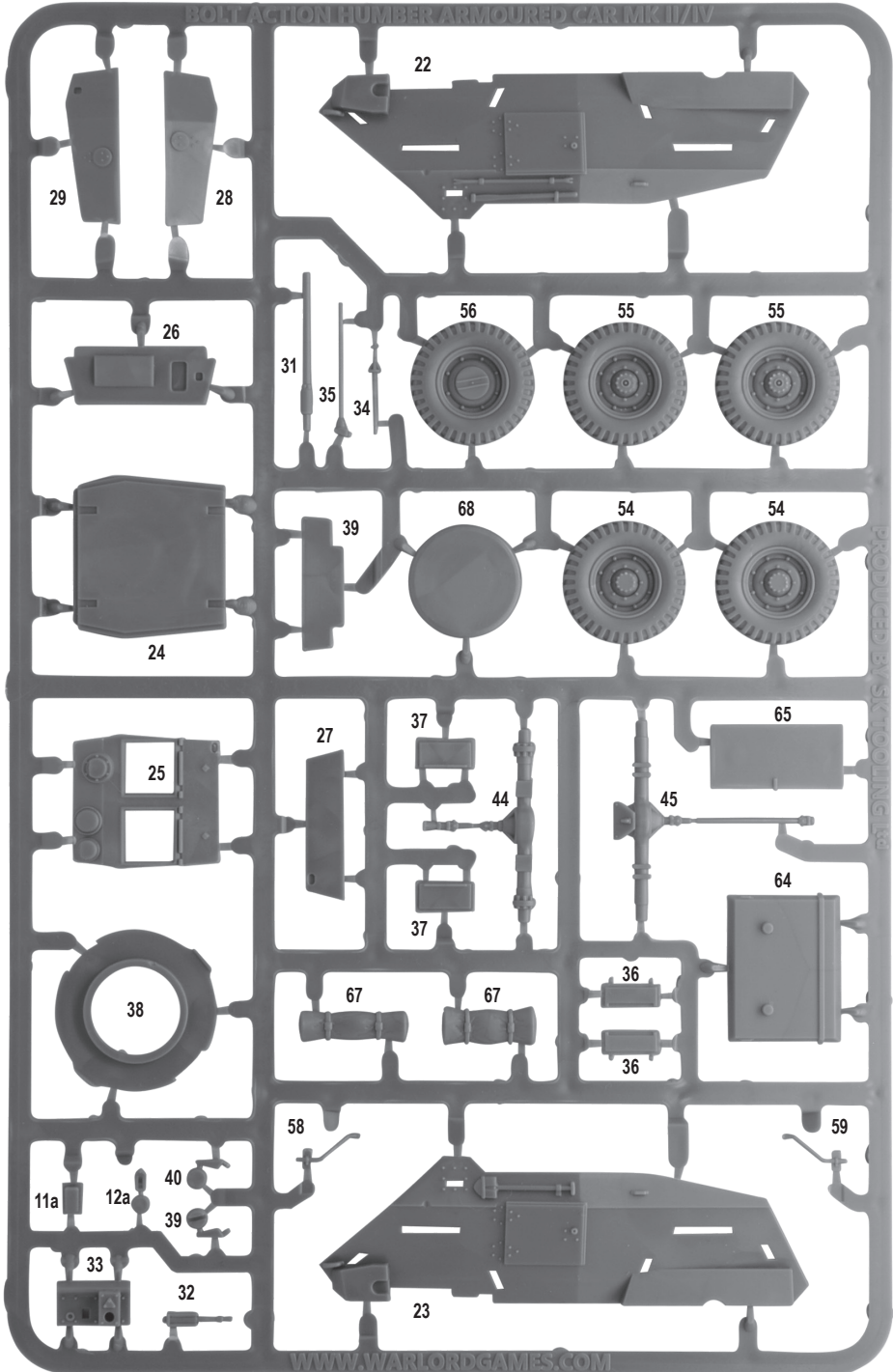


**E** - 1st Armoured Division (Poland), North West Europe, 1944-45

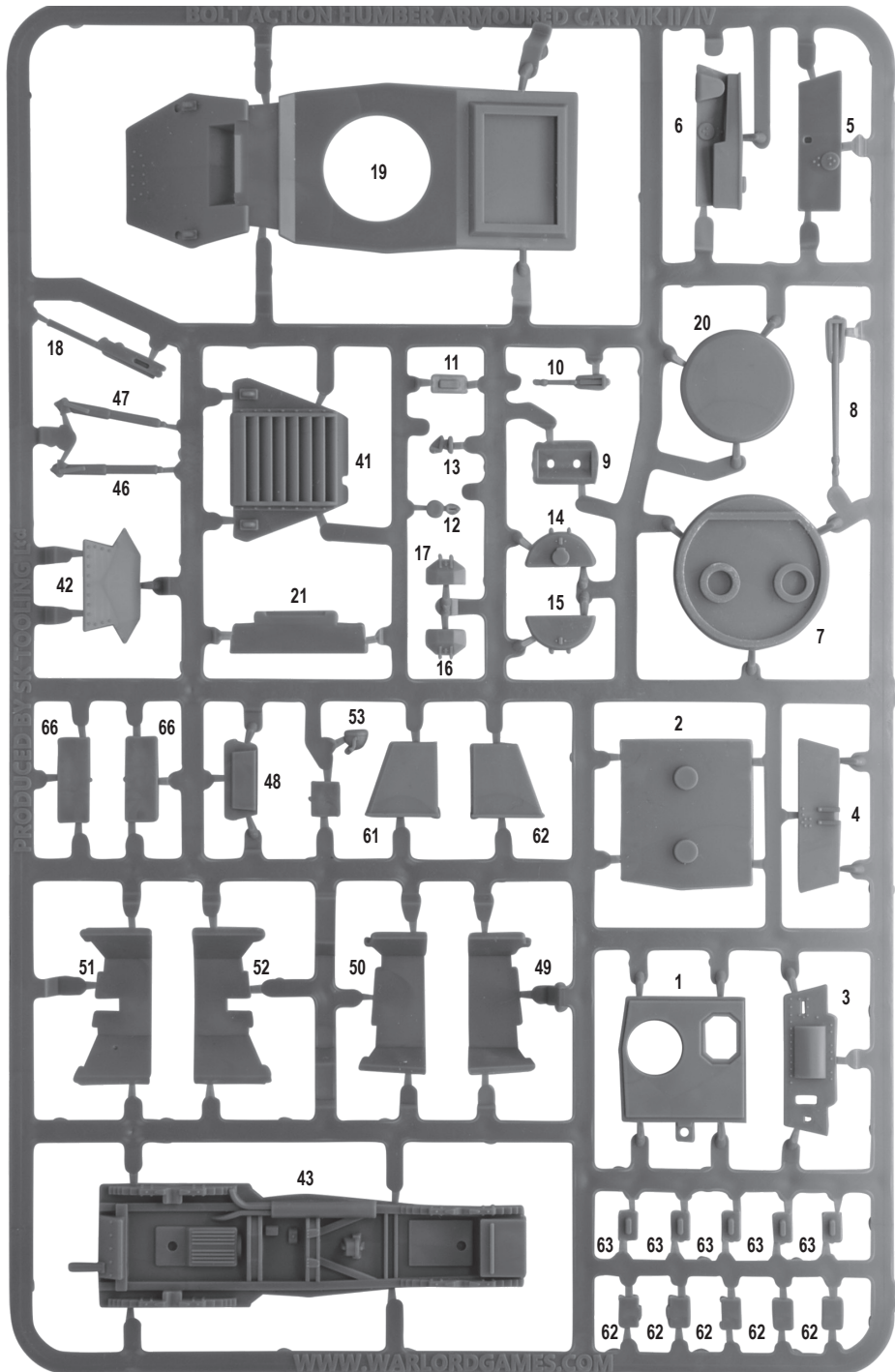
**F** - 43rd (Wessex) Reconnaissance Regiment, North West Europe, 1944-45

**G** - 7th Armoured Division (Desert Rats), North Africa, 1942-43

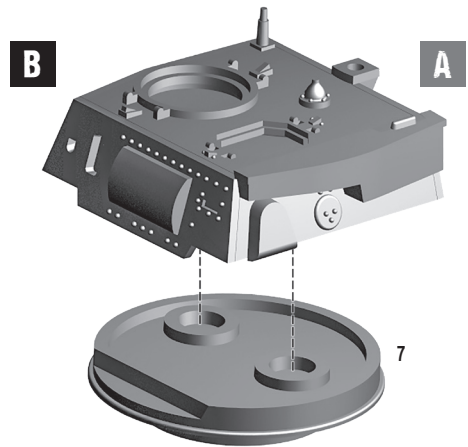
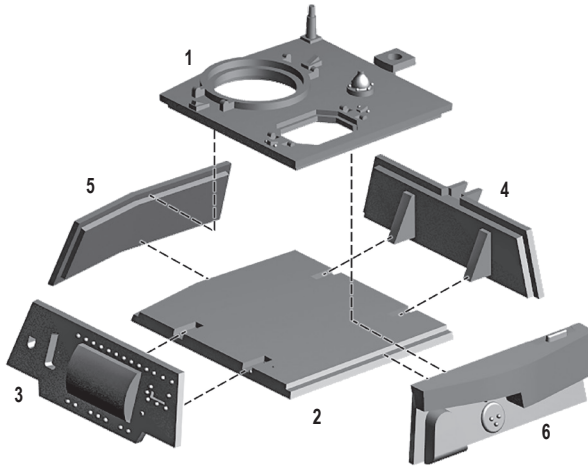
BOLT ACTION HUMBER ARMoured CAR MK II/IV



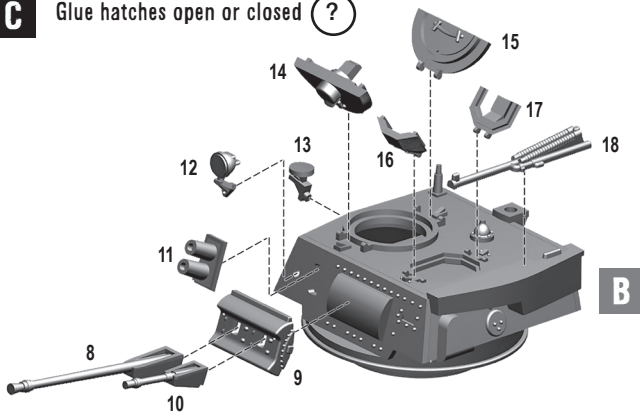
PRODUCED BY SKYTOOLING INC.



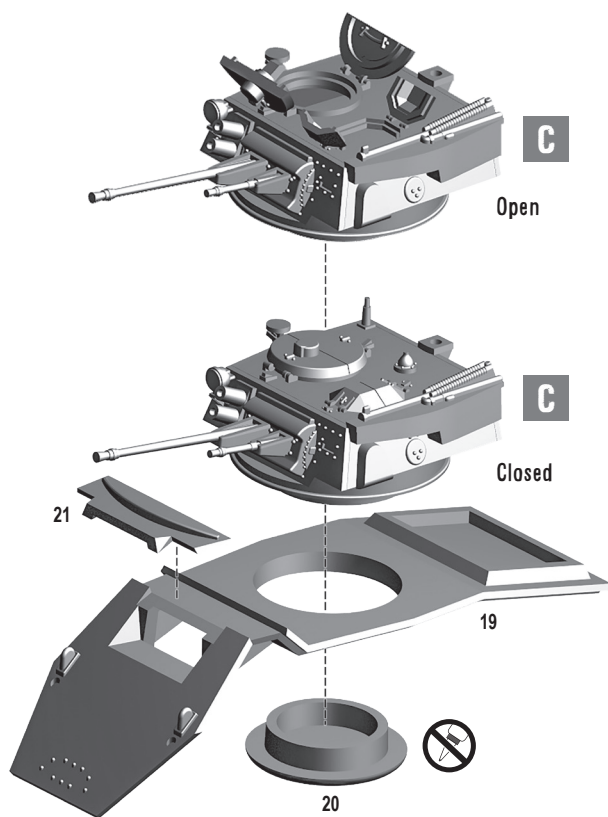
**A** Follow stages A-E for Humber Mk II variant only.



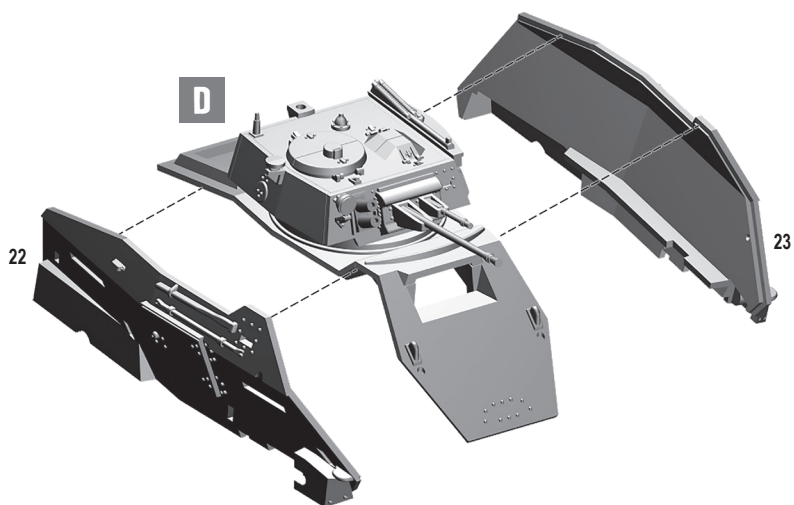
**C** Glue hatches open or closed ?



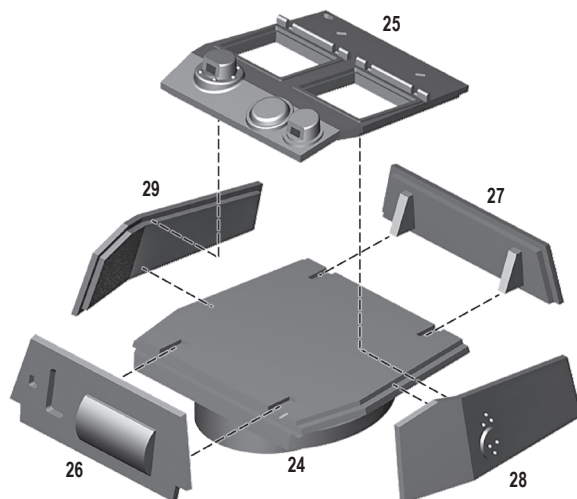
**D**



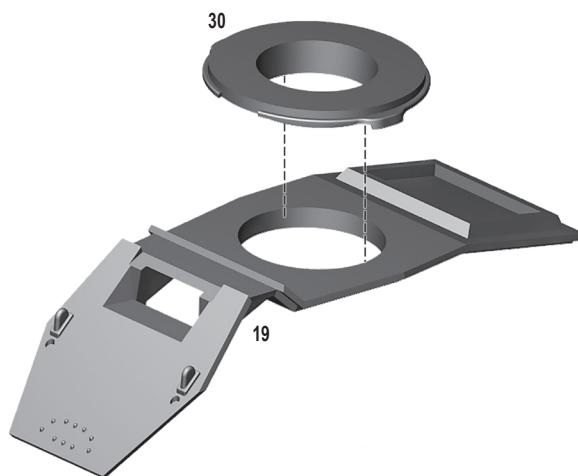
**E**



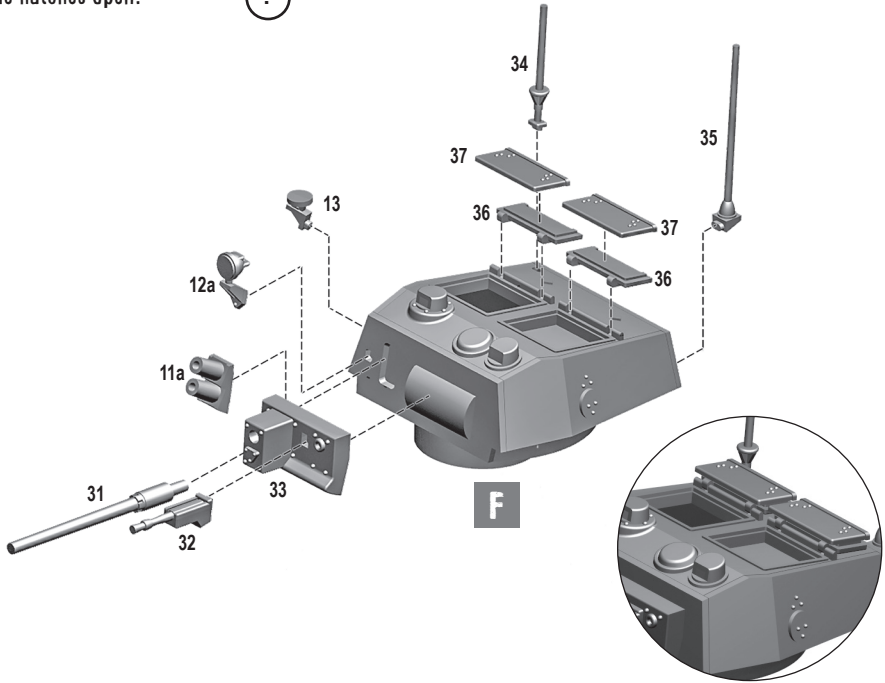
**F** Follow stages F-K' for Humber Mk IV variant only.



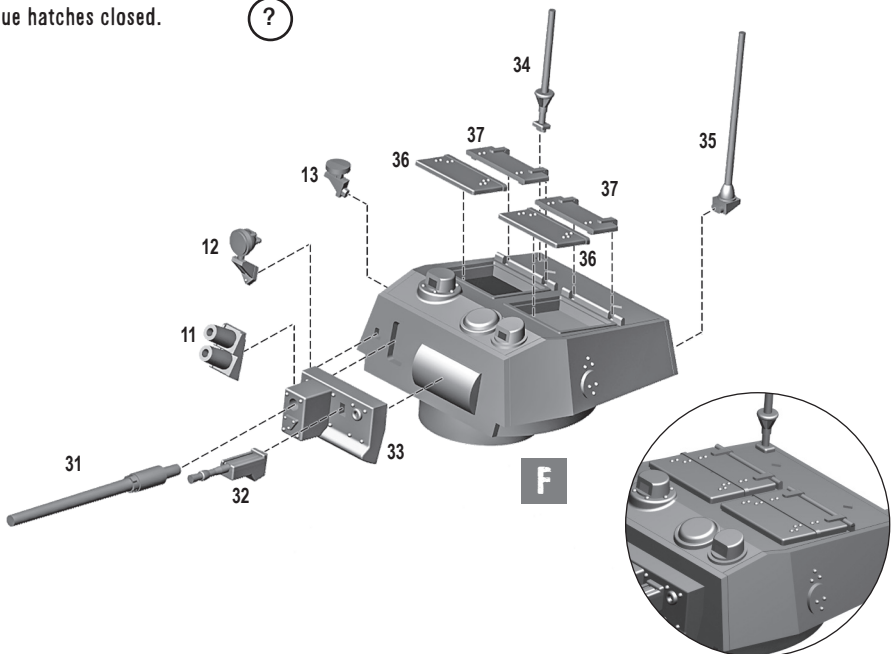
**G**



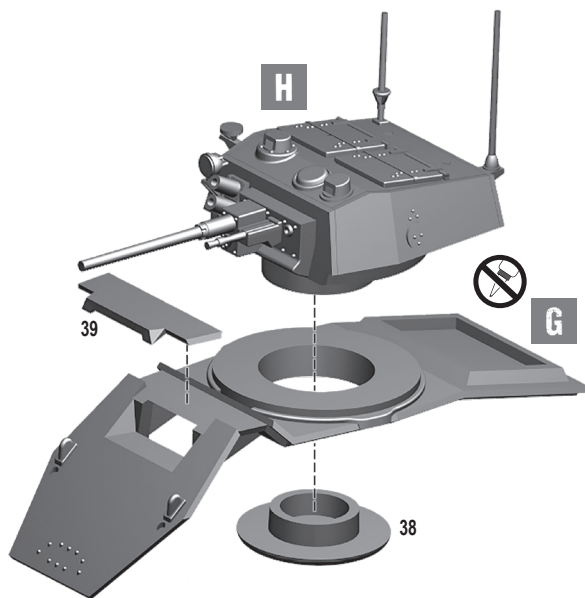
**H** Glue hatches open.



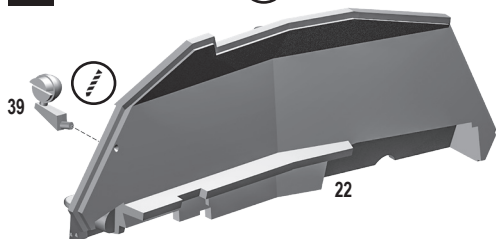
**H'** Glue hatches closed.



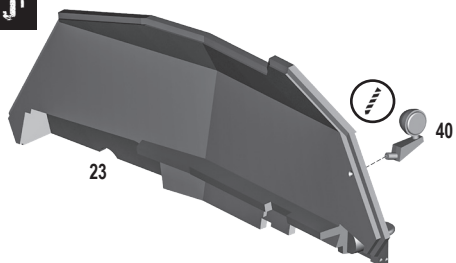
I



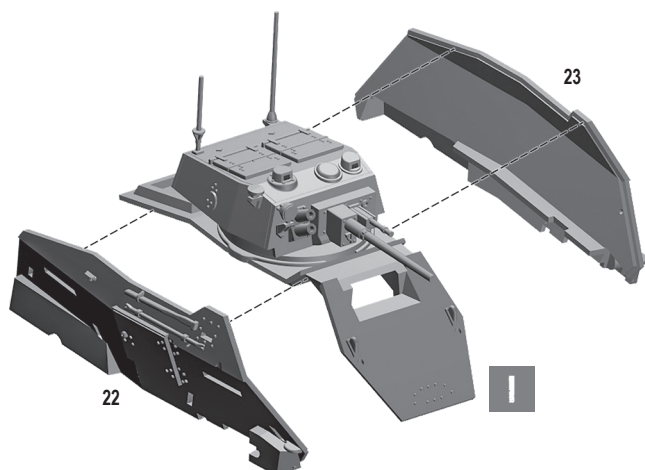
J Mk IV variant only (?)



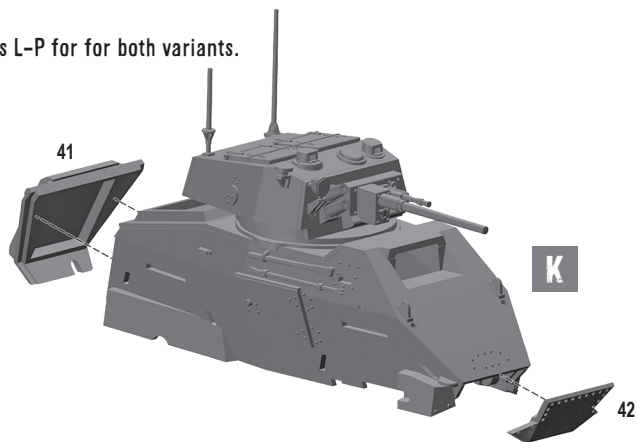
J1



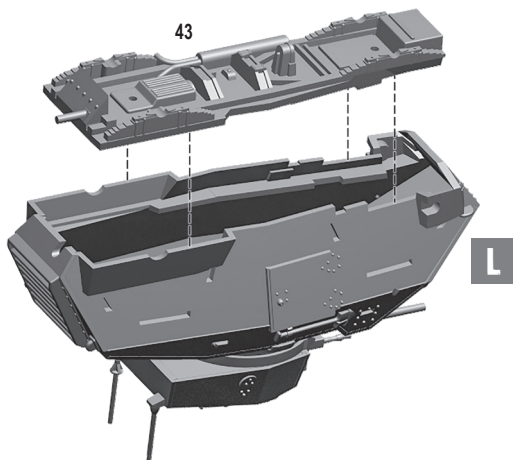
K



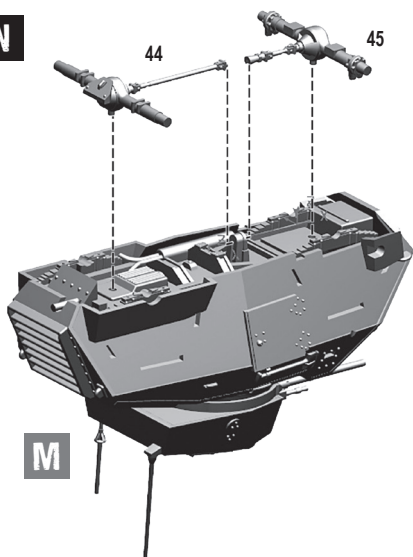
**L** Follow stages L-P for for both variants.



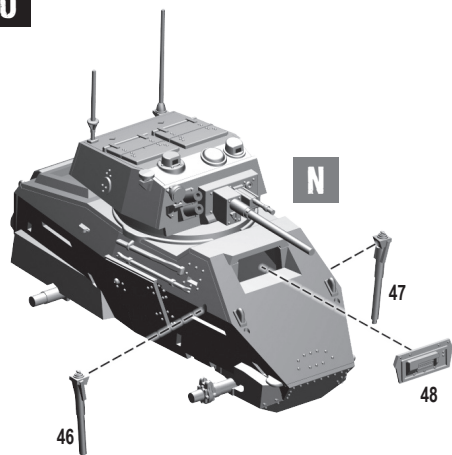
**M**



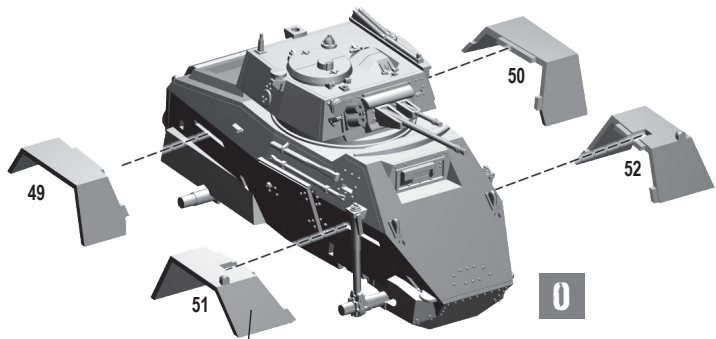
**N**



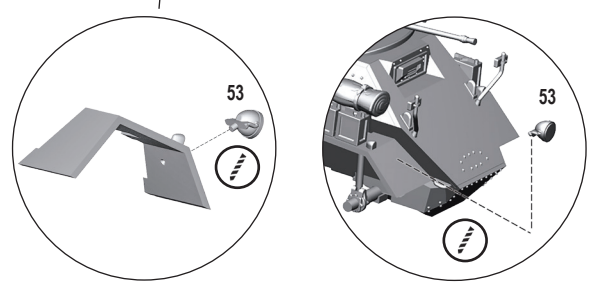
**O**



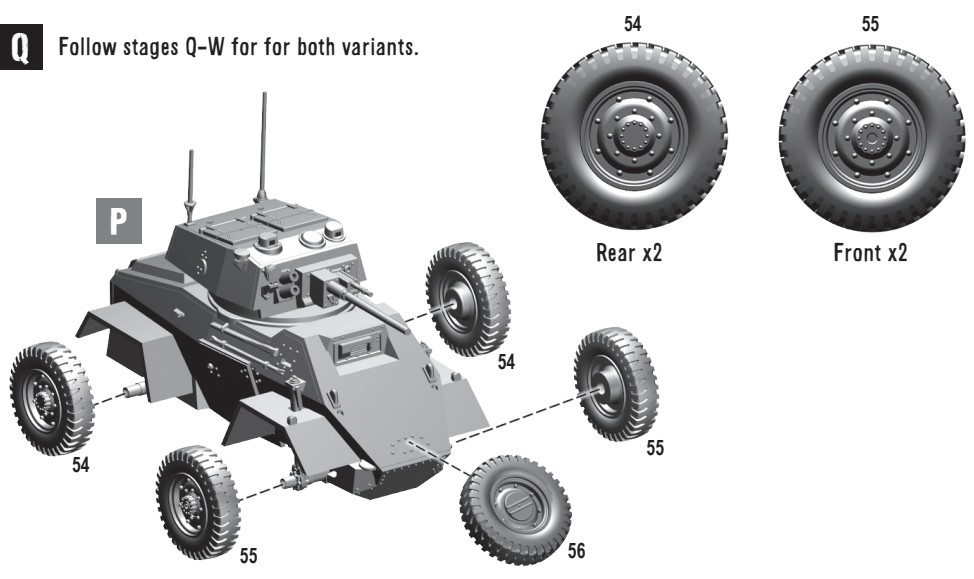
**P**



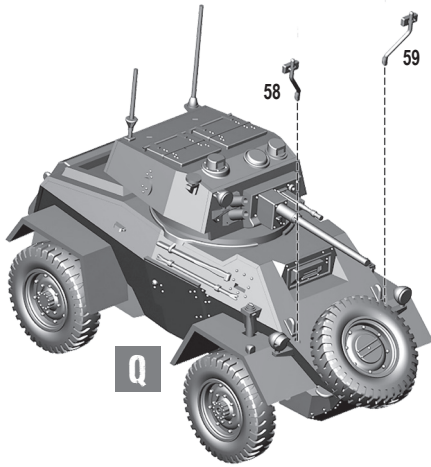
**P1** Mk II variant only ?



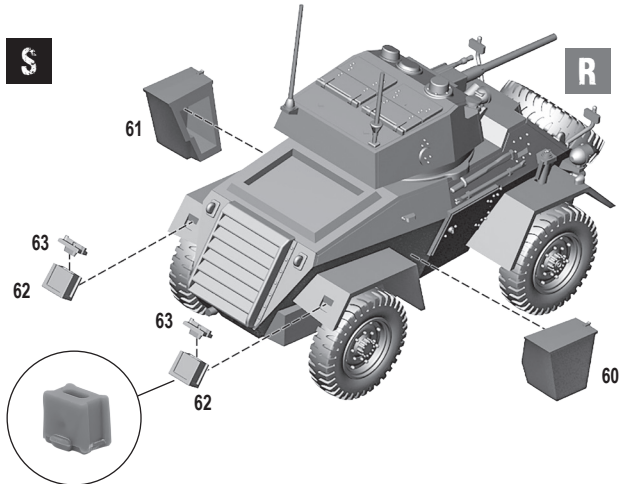
**Q** Follow stages Q-W for for both variants.



**R**

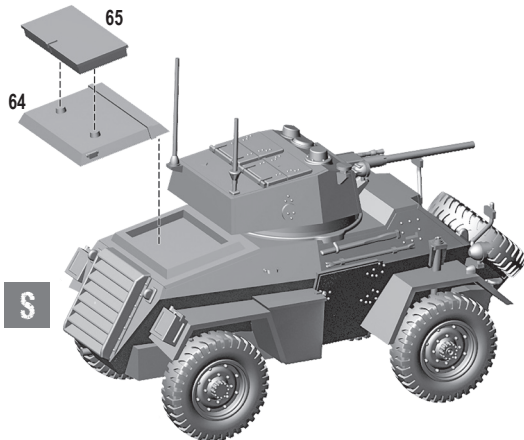


**S**



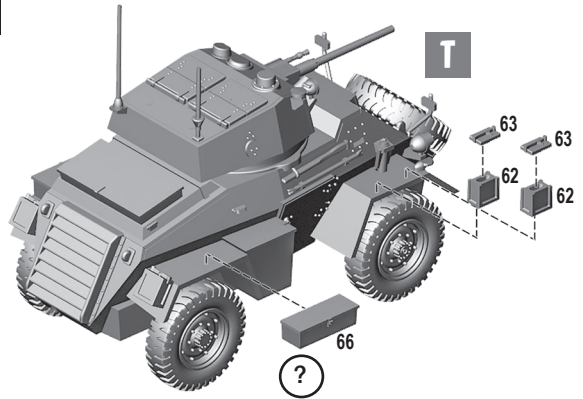
**R**

**T**



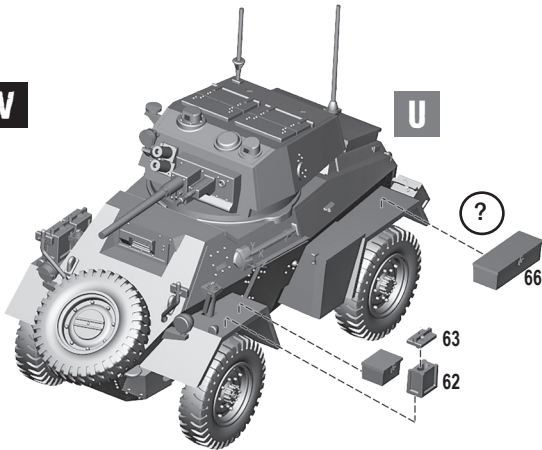


**U**

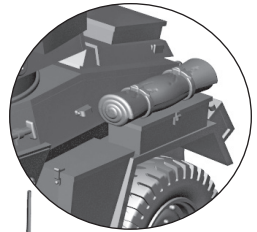


**T**

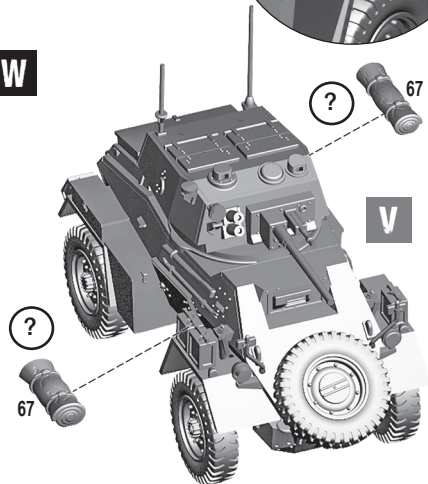
**V**



**U**



**W**



**V**



# HUMBER ARMoured CAR

Humber Mk IV,  
8th (King George V's Own) Lancers,  
50th Indian Tank Brigade, Burma, 1944-45



Vallejo Model Colour US Olive Drab



Vallejo Model Colour Dark Rubber



Vallejo Model Colour Black



Army Painter Gun Metal



# HUMBER ARMoured CAR

Humber Mk IV, 1st Armoured Division (Poland),  
North West Europe, 1944-45



Valjejo Model Colour US Olive Drab



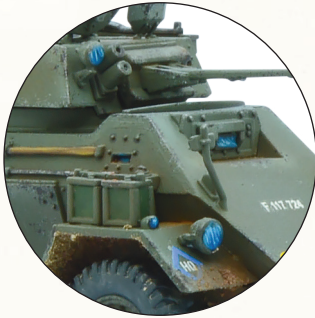
Valjejo Model Colour Dark Rubber



Valjejo Model Colour Black



Army Painter Gun Metal



# HUMBER ARMoured CAR



Vallejo Model Colour Dark Sand



Vallejo Model Colour Dark Rubber



Vallejo Model Colour Black



Army Painter Gun Metal



Humber Mk II, 7th Armoured Division (Desert Rats), North Africa, 1942-43



Component code: 4070300010