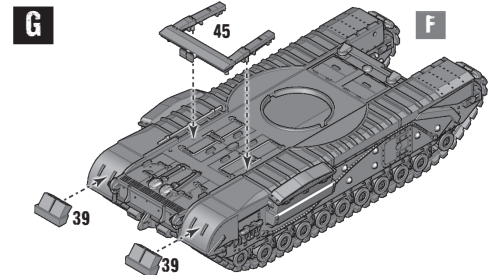
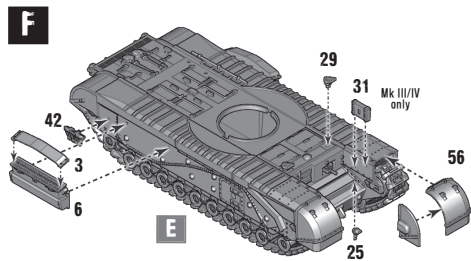
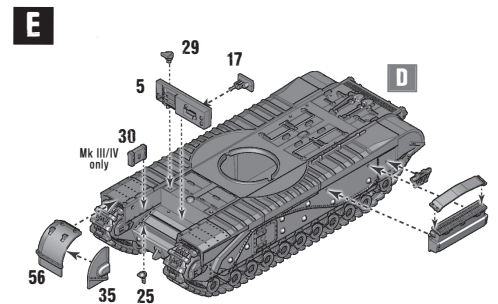
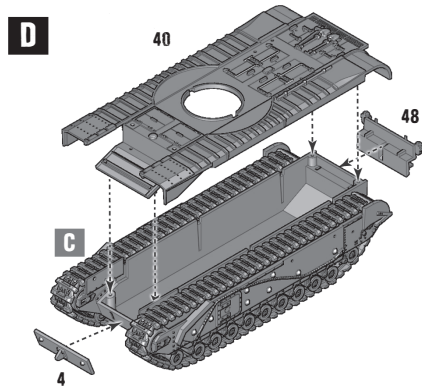
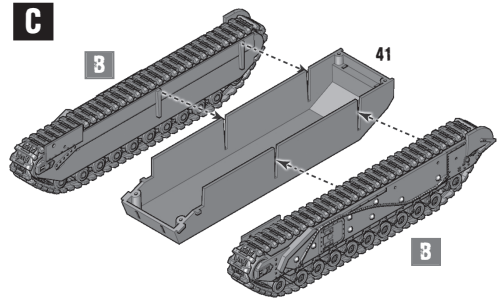
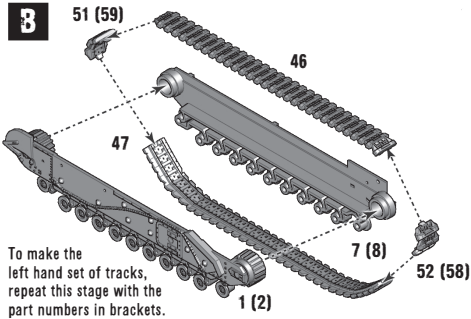
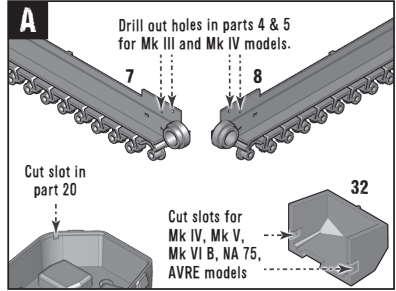




CHURCHILL HEAVY INFANTRY TANK

Follow these instructions to build your plastic Churchill Infantry tank. Read through the instructions and decide which version you want to build before starting.



Welded turret, for Mark III and Mark VI and prototype Mk V CS

H 28 28 44 49 14 53 43 27

J 60 57 26 37 37 38 38

Hatches may be glued open or closed.
Optional tank commander may be placed in either hatch.

K 33 23 32 22

Mk V only
Mk V only

Mk III

K 11 16 19



Mk VI A, Welded turret

K 12 16 19

Do not glue

Cast turret, for Mark IV, Mark VI, NA75, AVRE and Mk V CS

L 57 26 24 20 27

M 60 36 36 21 21

Hatches may be glued open or closed.
Optional tank commander may be placed in either hatch.

N 33 23 32 22

Mk IV, Cast turret

N 11 18 15

Do not glue

Mk VI B, Cast turret

N 12 18 15

NA 75

N 54 55 10 15

Glue gun to part 54, and part 55 to turret only.

AVRE

N 9 15

Do not glue

Mk V CS

N 13 18 15

Do not glue

