



M3 LEE/GRANT MEDIUM TANK

ASSEMBLY AND PAINTING GUIDE



This box contains one hard plastic M3 Lee/Grant medium tank, including multiple options for commanders, a decal sheet, damage markers, and vehicle stat card. This highly detailed model kit is an ideal addition to US, British, Soviet, and Commonwealth *Bolt Action* and *Achtung Panzer!* forces.

Designed to provide Allied forces with a medium tank while the M4 Sherman was developed, the M3 mounted a powerful 75mm gun in a hull sponson, as well as a 37mm anti-tank gun in a small turret.

This arrangement, while somewhat old-fashioned, produced a tank with excellent firepower that could effectively engage all of its Axis contemporaries. Fielded in North Africa by American and British forces (who named the variants 'Lee' and 'Grant' after the American Civil War generals), and later provided to the Soviet Union as Lend-Lease equipment and sent to the Far East with British troops, the M3 earned a reputation for being rugged and reliable despite its archaic design.

M3 Lee/Grant

Manufacturer:	Detroit Tank Arsenal American Locomotive Company Pullman Standard Pressed Steel Car Company Baldwin Locomotive Works
Produced:	August 1941 – December 1942
No. built:	6,258
Variants:	M3 (Lee I), M3A1, M3A2, M3A3 (Lee V), M3A5, Grant I, Grant II
Armour:	51 mm (2.0 in) hull front, turret front, sides, and rear 38 mm (1.5 in) (hull sides and rear)
Top speed:	26 mph (42 km/h) (road), 16 mph (26 km/h) (off-road)
Length:	18 ft 6 in (5.64 m)
Width:	8 ft 11 in (2.72 m)
Height:	10 ft 3 in (3.12 m) – Lee
Armament:	1 × 75 mm Gun M2/M3 in hull 1 × 37mm Gun M5/M6 in turret 2–3–4 × .30-06 Browning M1919A4 machine guns
Crew:	Seven (Lee); Six (Grant)

ASSEMBLY GUIDE KEY



Assembly stage



Do not glue

22

Part number



Previous assembly stage



Special assembly instructions



Optional assembly



Drill part

Follow this simple guide to build your M3 Lee or Grant medium tank.

Carefully remove each component from the frame with clippers or a craft knife. Trim off excess plastic before assembling. Test fit all parts before applying glue.

We recommend using polystyrene cement to assemble the kit, and to use this in a well-ventilated area.

Keep tools, glues, paints and small components away from children. Warlord Games recommends this kit for ages 14 and over.

DECAL APPLICATION GUIDE

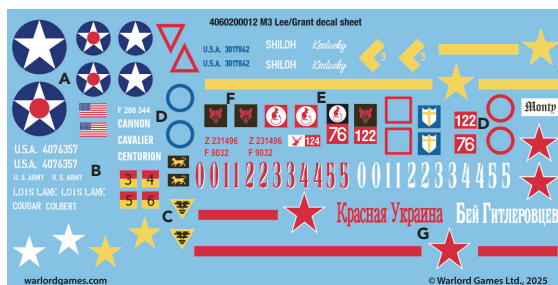
- Apply a coat of gloss varnish to the areas that will receive the decal and allow this to dry fully.
- Cut out a decal from the sheet and soak it in lukewarm water for 1-2 minutes.
- Once the design has started to separate from the backing paper, use tweezers or a wet paintbrush to slide the design into place on the model.
- Use a tissue to dab away any excess water from the model and allow to dry.
- Apply a coat of matt varnish to seal the decal in place.

A - US stars

B - US names

C - 254th Indian tank
regt markings

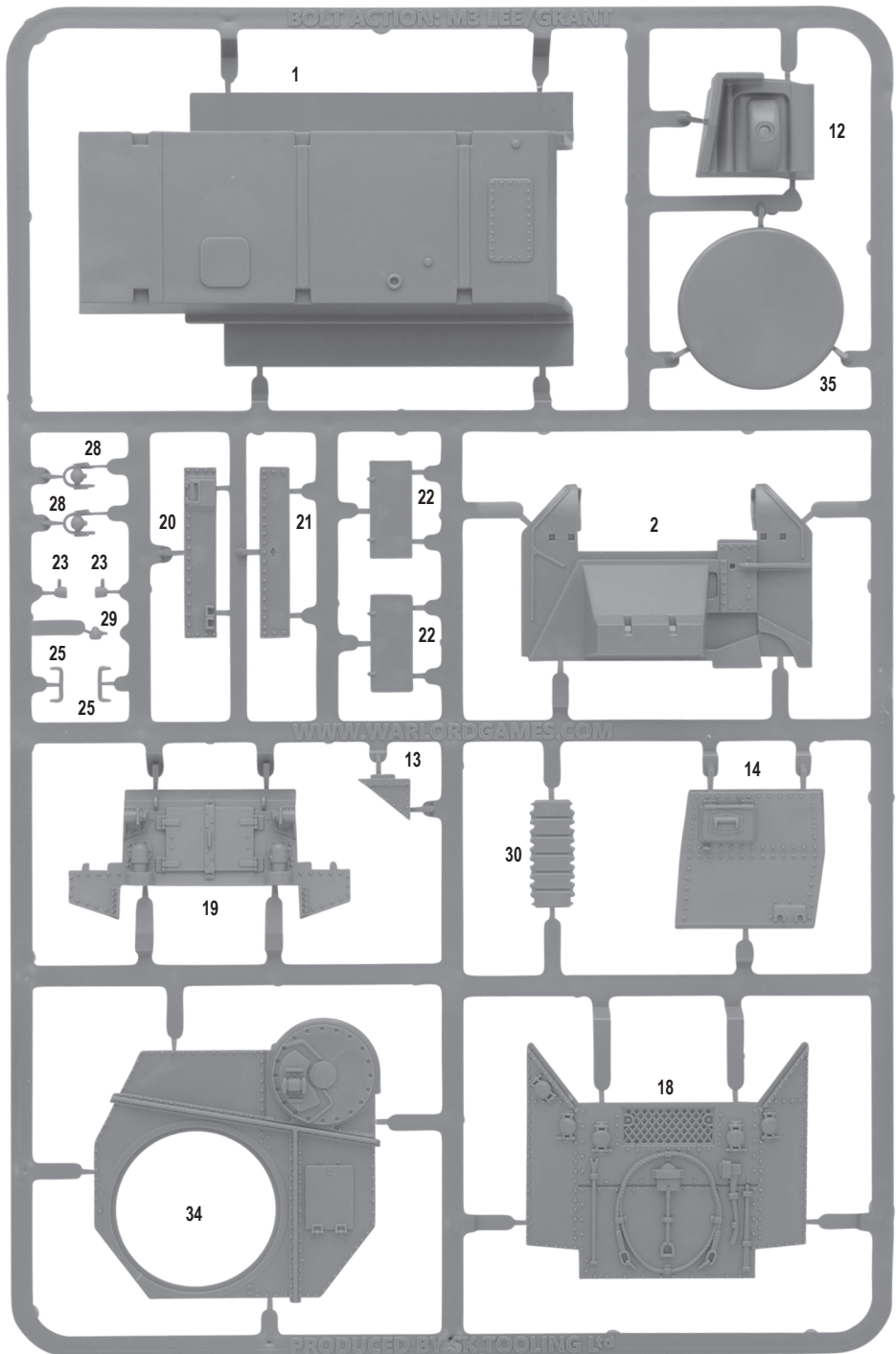
D - British names
and tactical markings



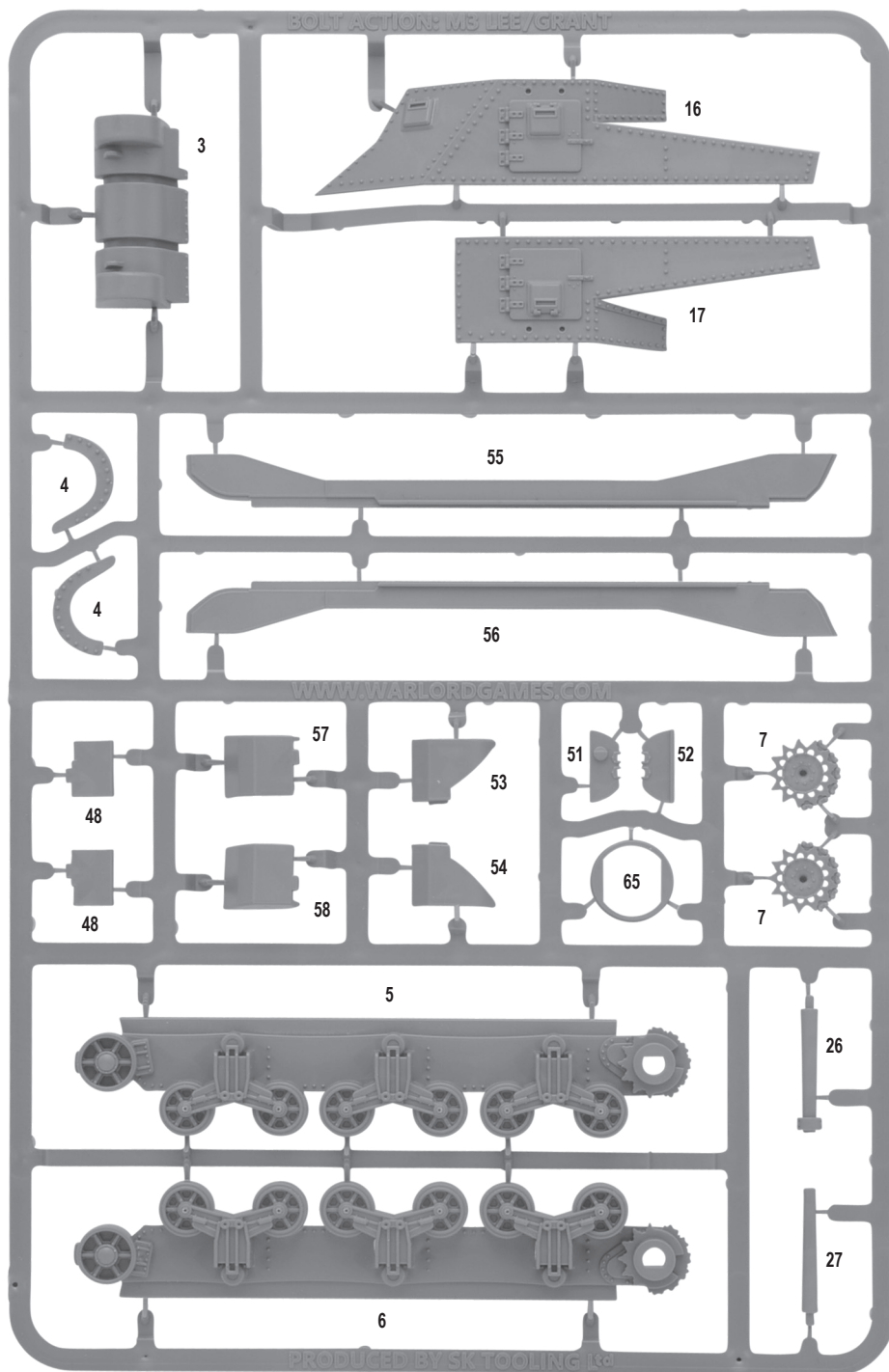
E - 7th Armoured
Division (Desert Rats)

F - Sherwood
Rangers markings

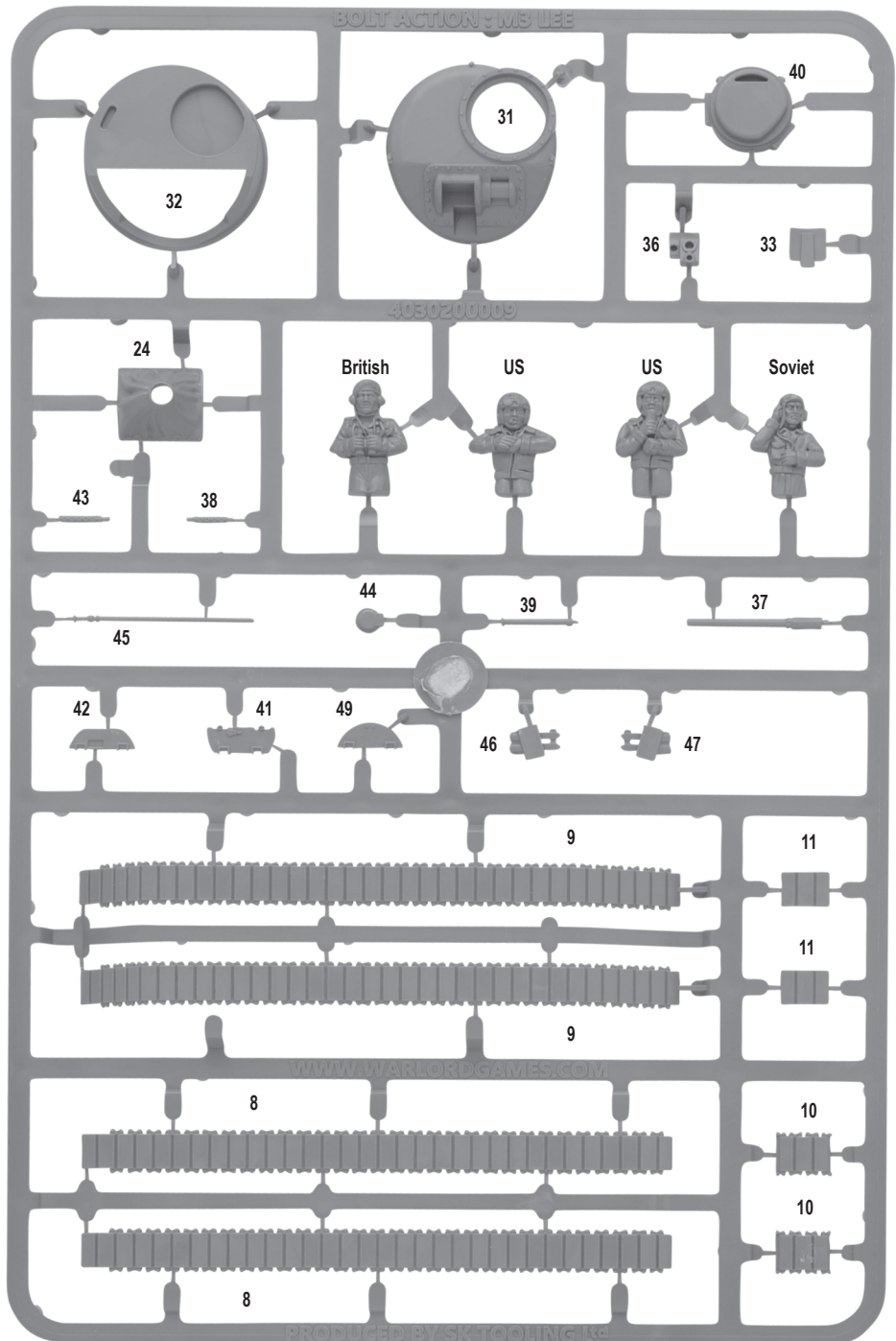
G - Soviet markings



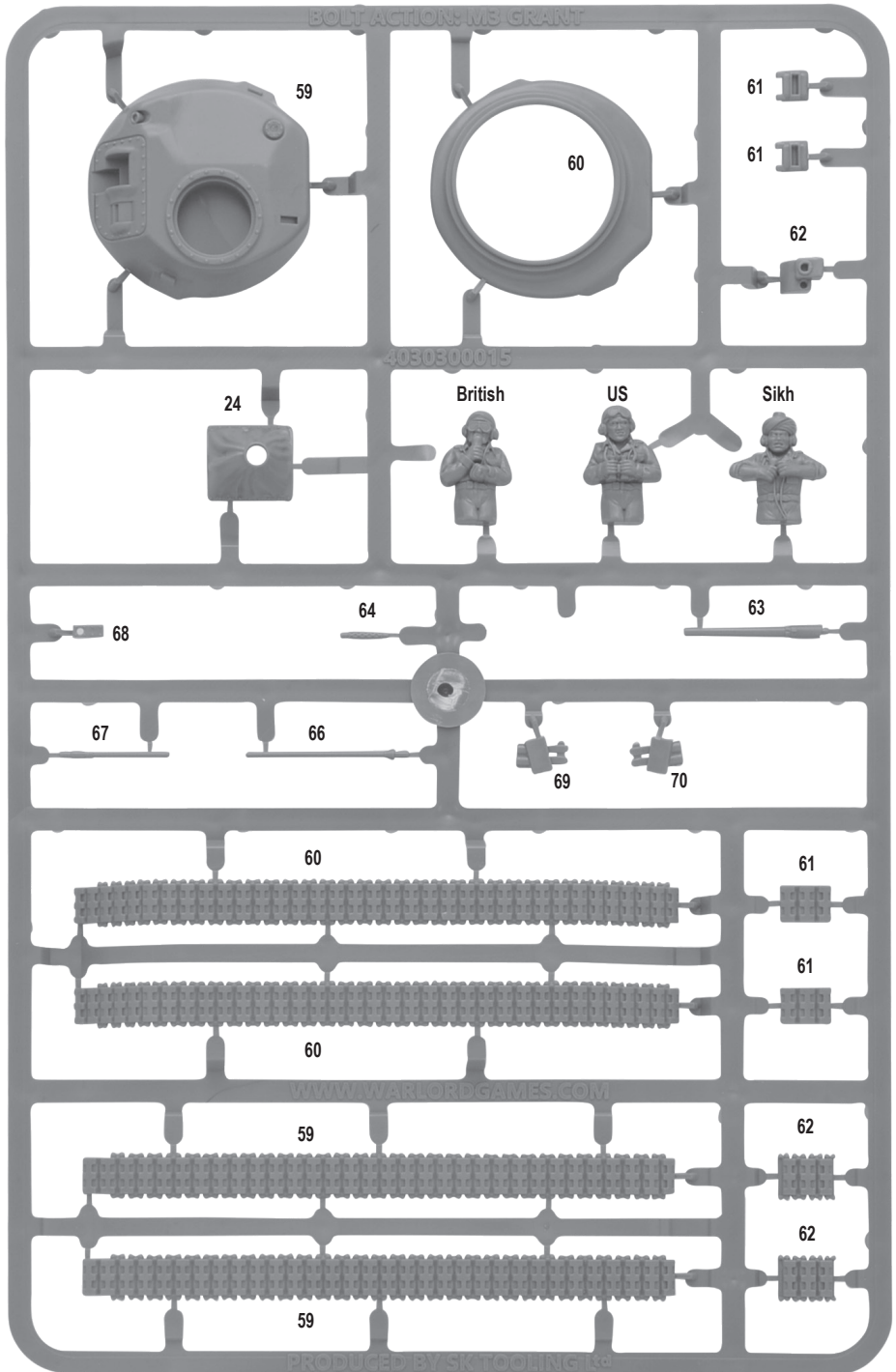
Both variants



Both variants

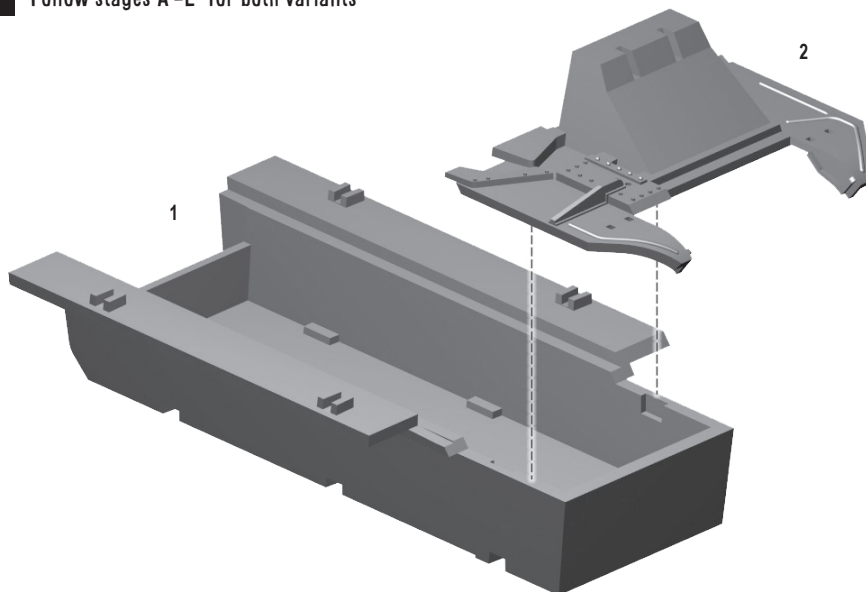


M3 Lee only

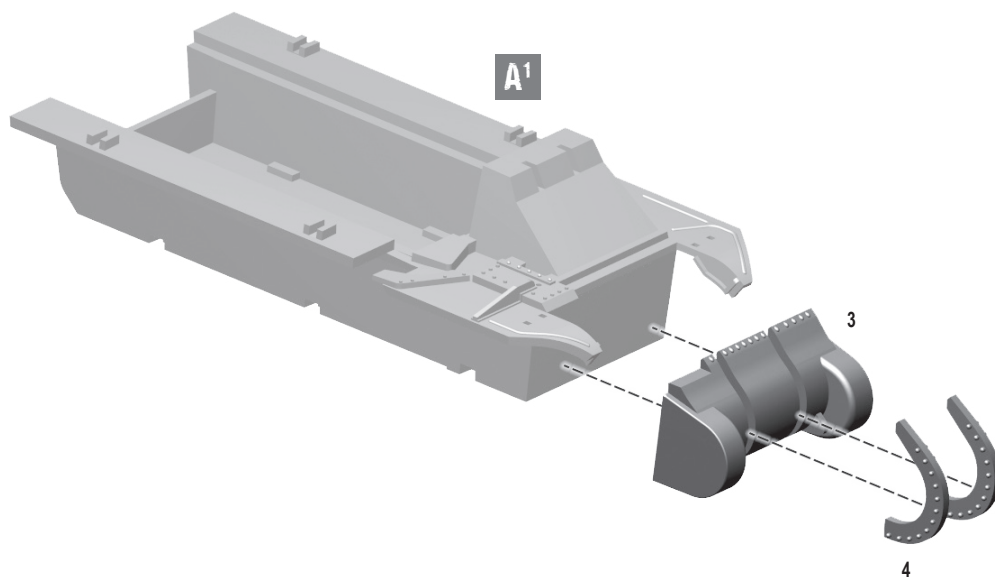


M3 Grant only

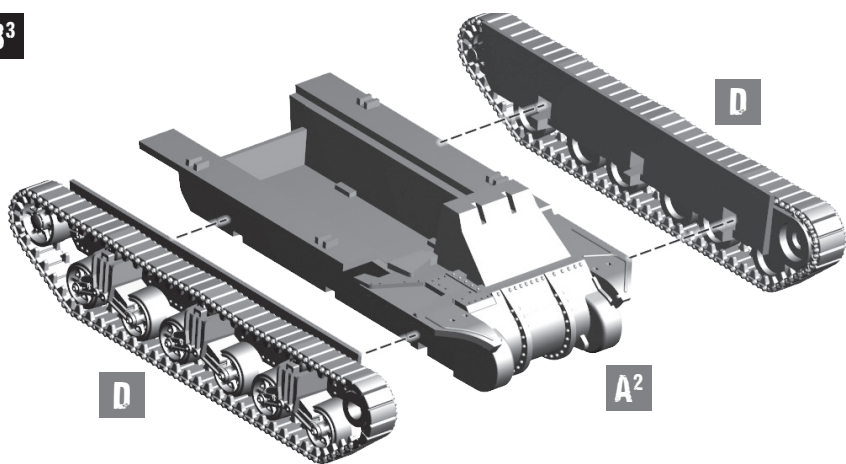
A¹ Follow stages A¹-E³ for both variants



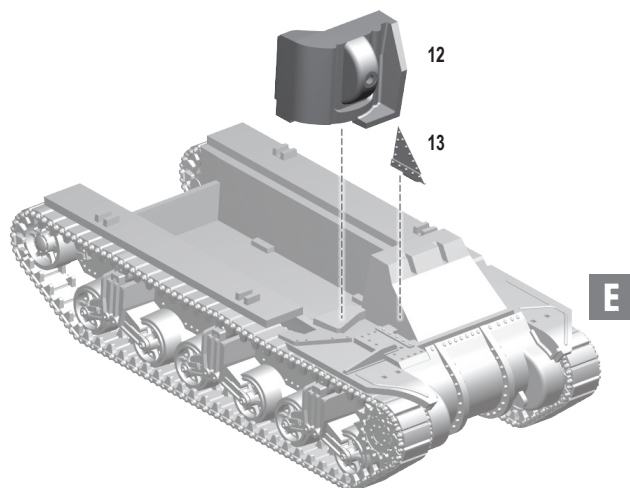
A²



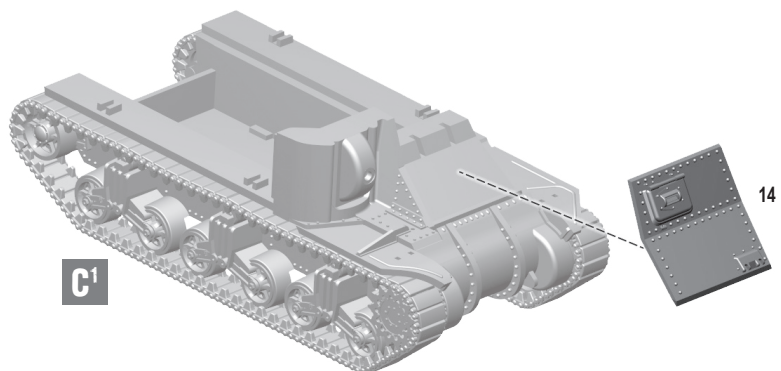
B³



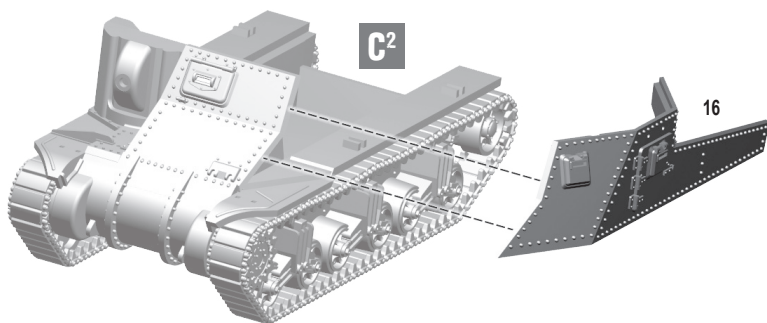
C¹



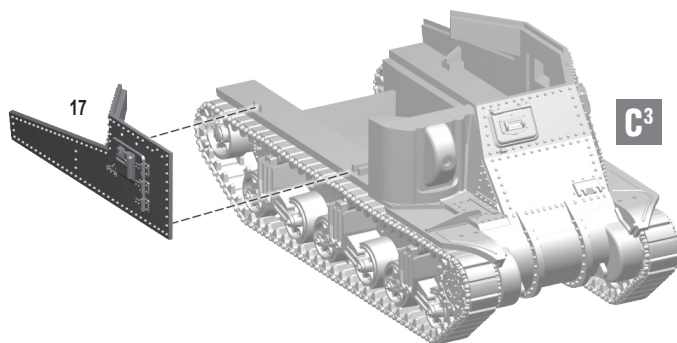
C²



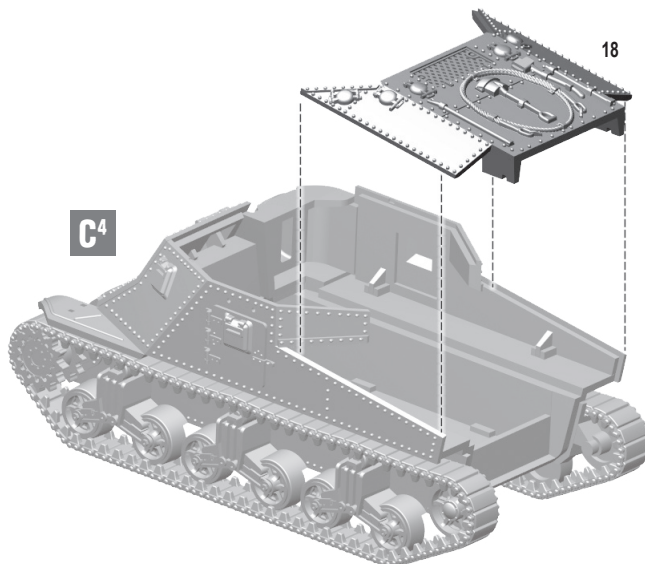
C³



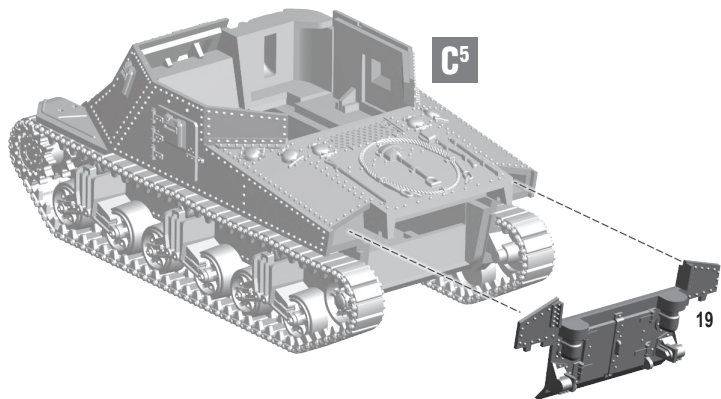
C⁴



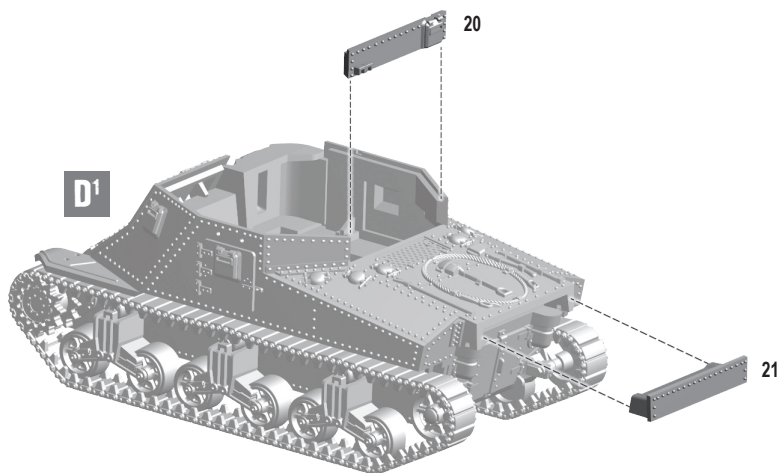
C⁵



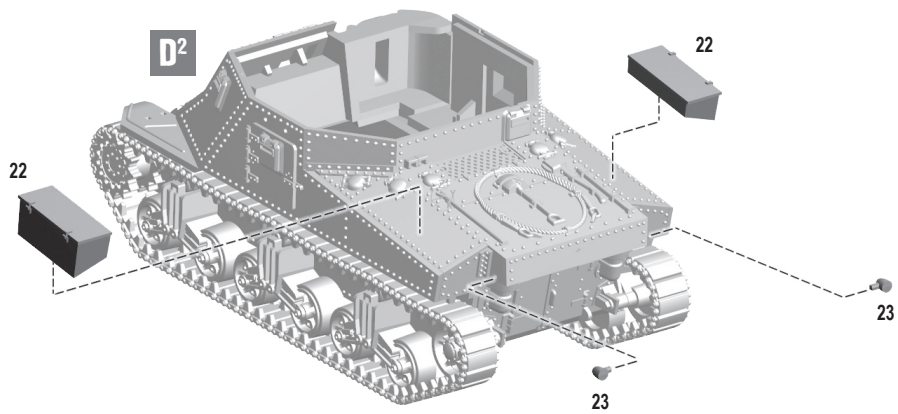
D¹



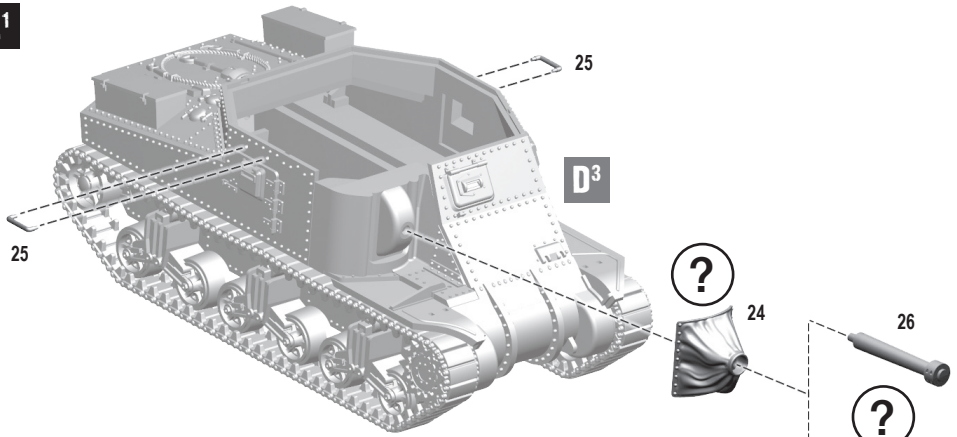
D²



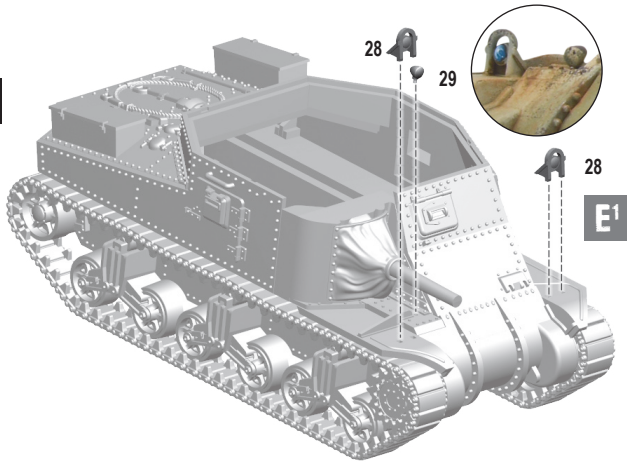
D³



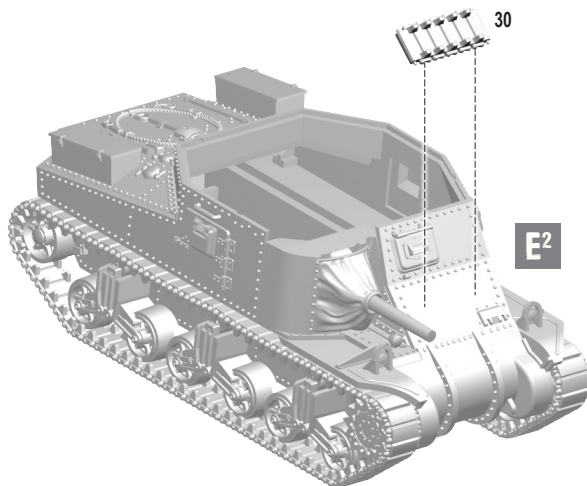
E¹



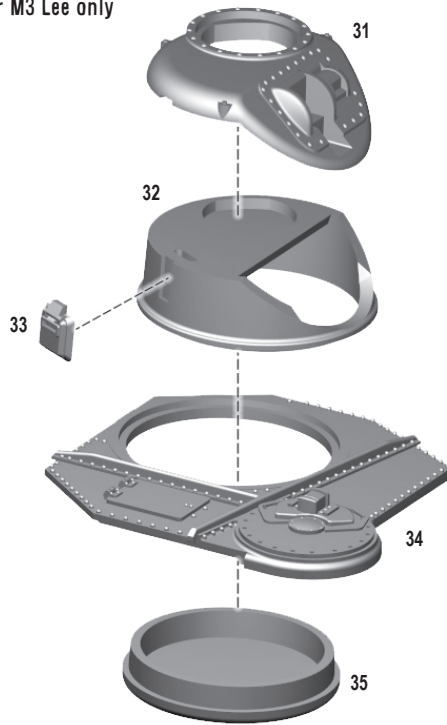
E²



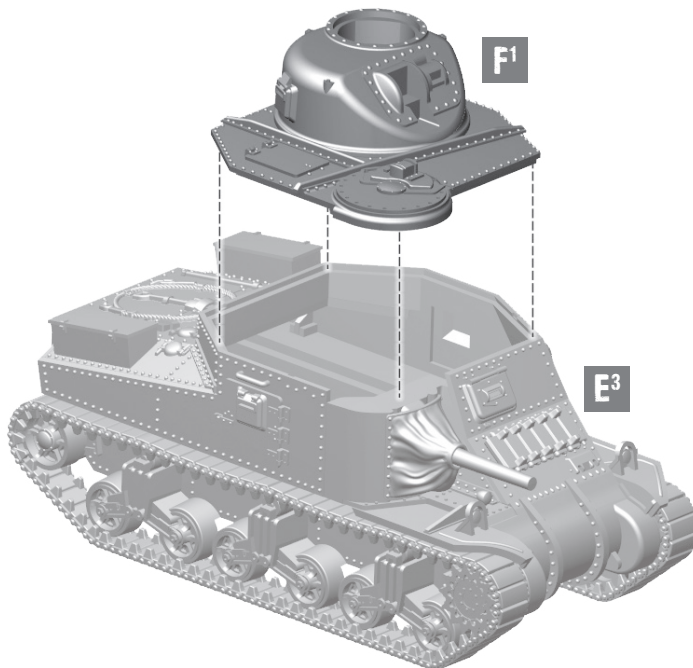
E³



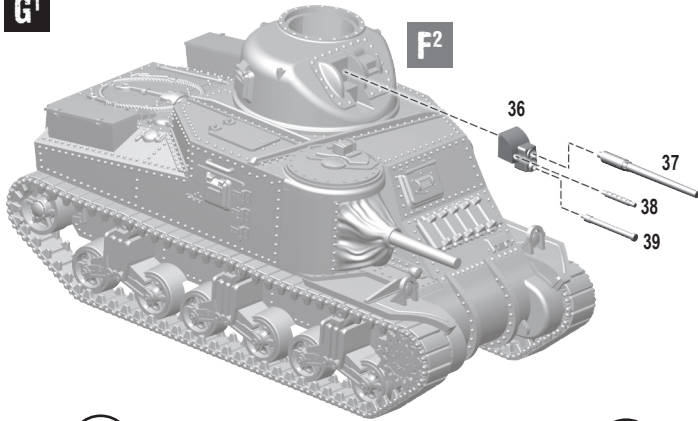
F¹ Follow stages F¹ - I for M3 Lee only



F²



G¹

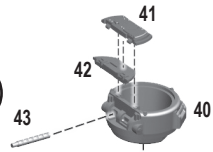


G²

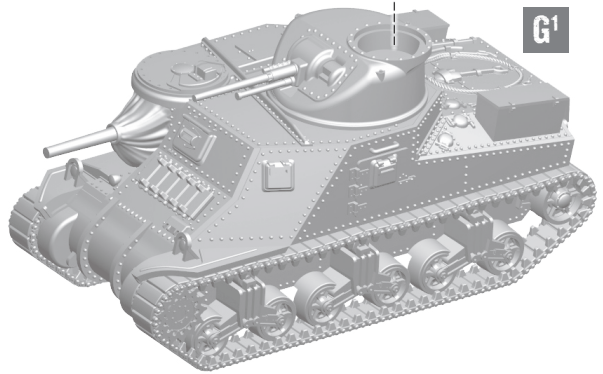


British M3 Lee - Burma only

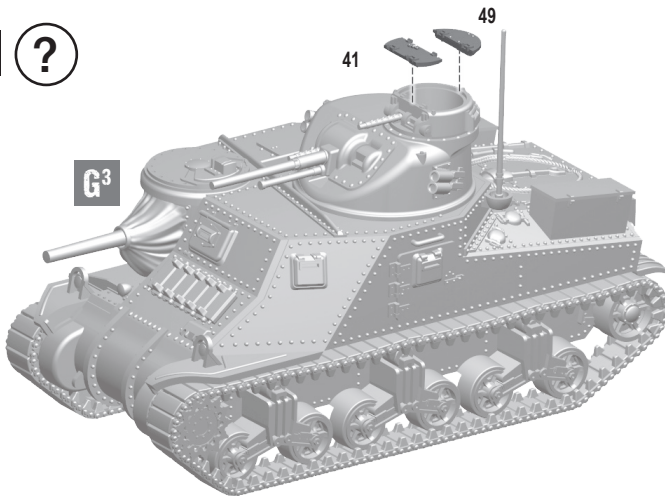
G³



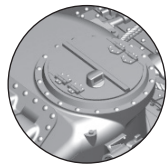
G¹



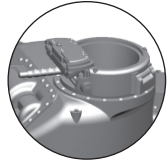
G⁴



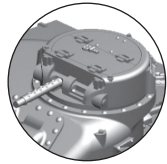
G²



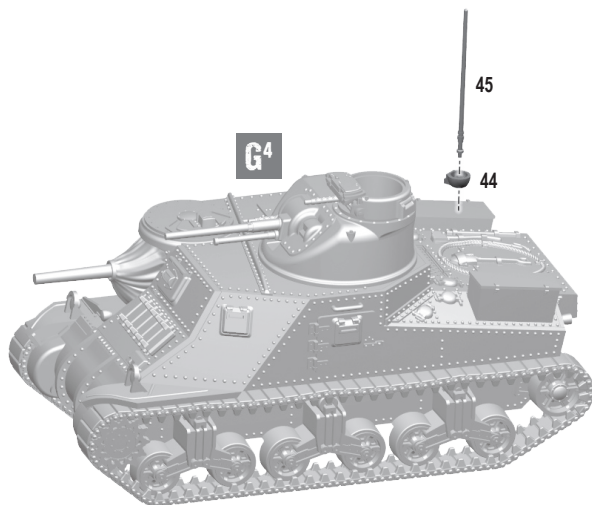
G³



G⁴



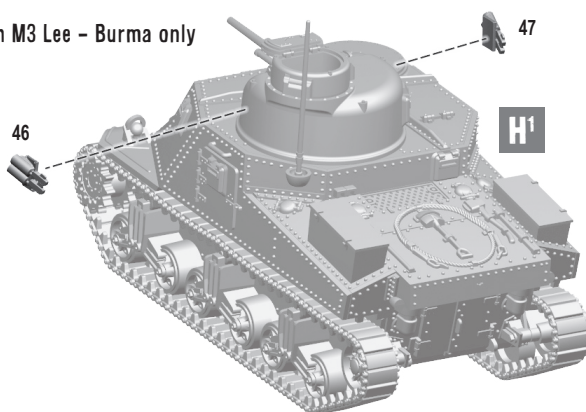
H¹



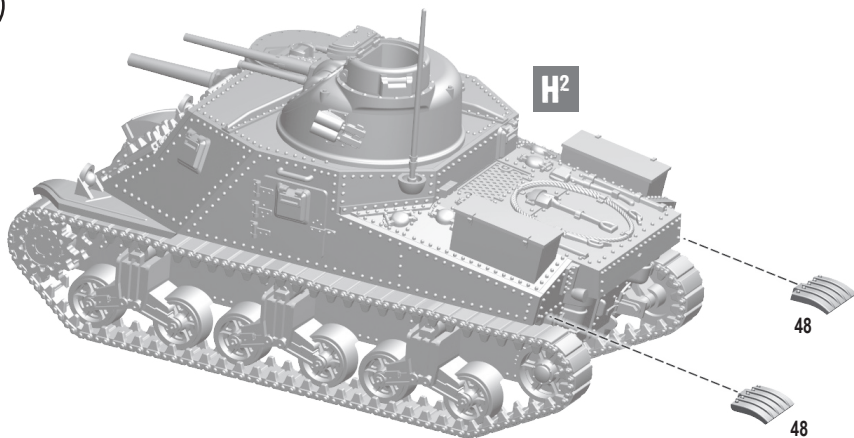
H²



British M3 Lee - Burma only

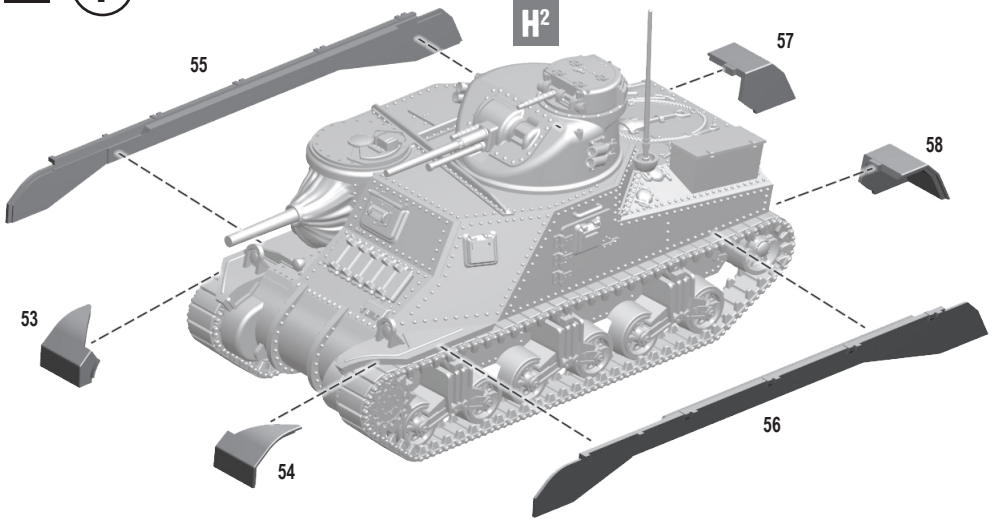


H³

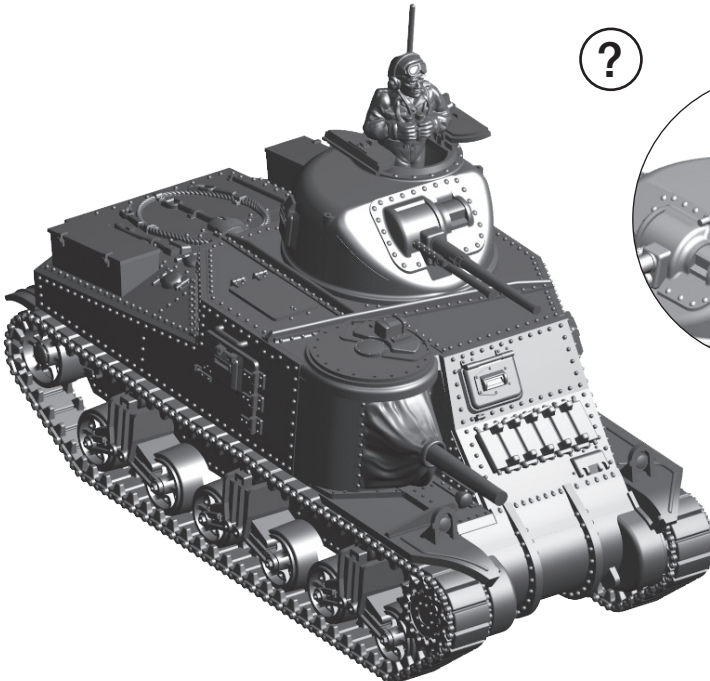


I

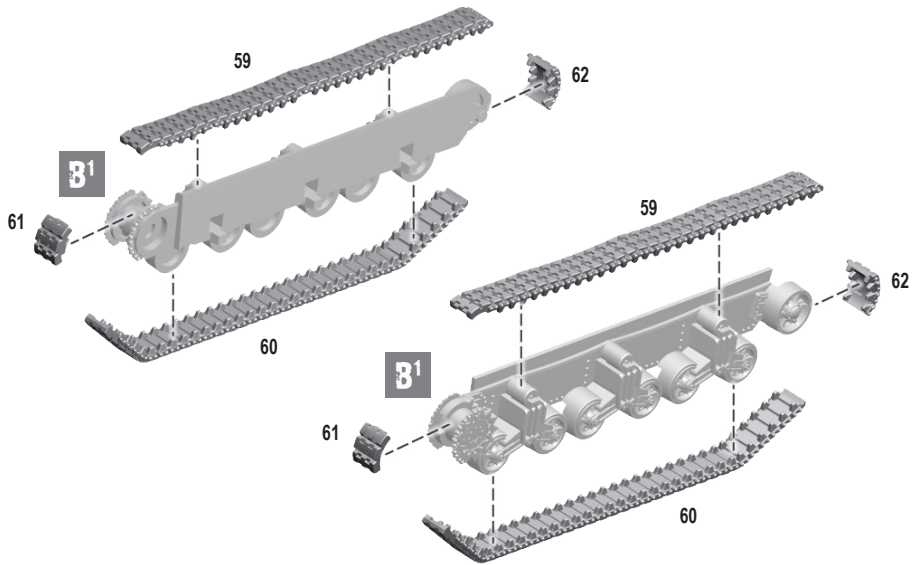
?



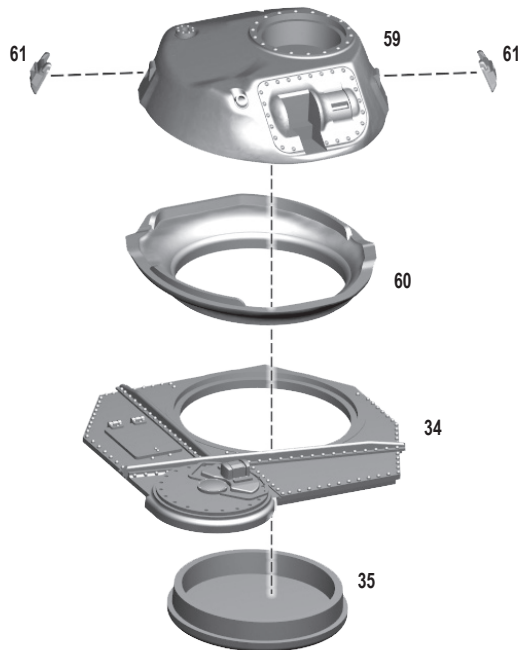
Use the tank commander of your choice - US, British or Soviet



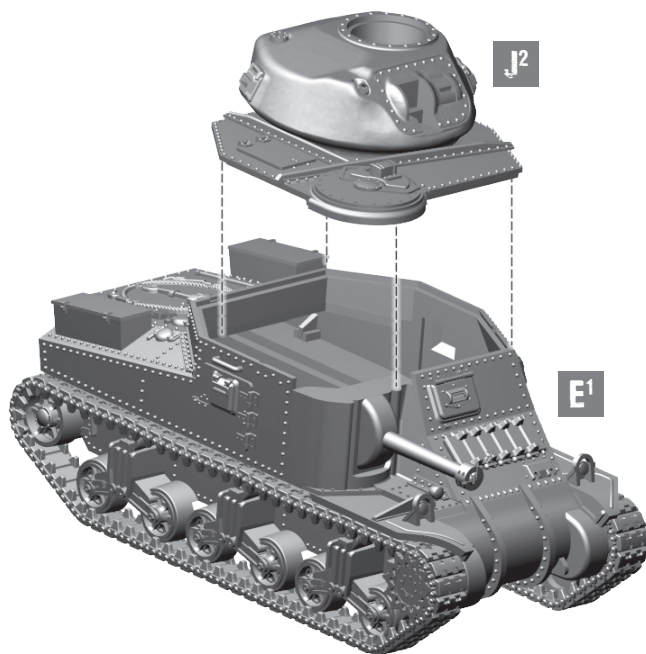
J¹ Follow stages J¹ - L³ for M3 Grant only



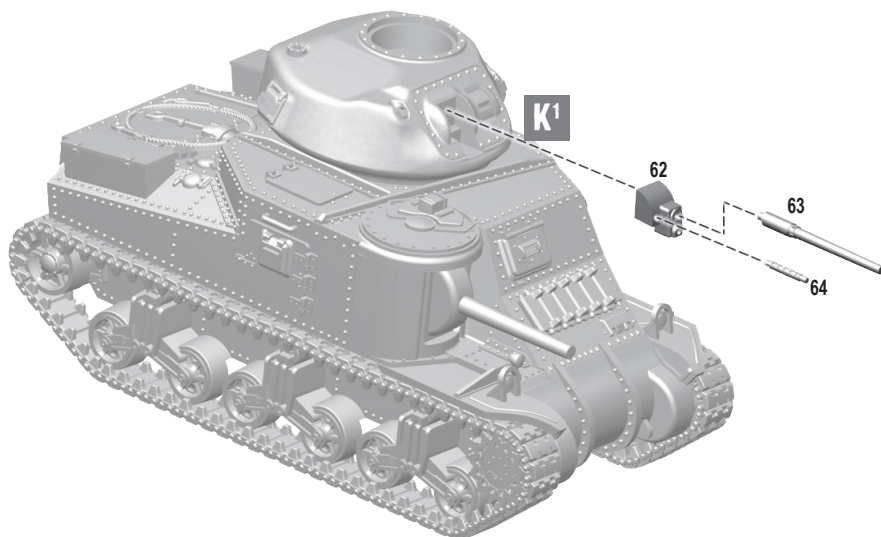
J²



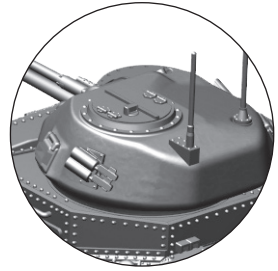
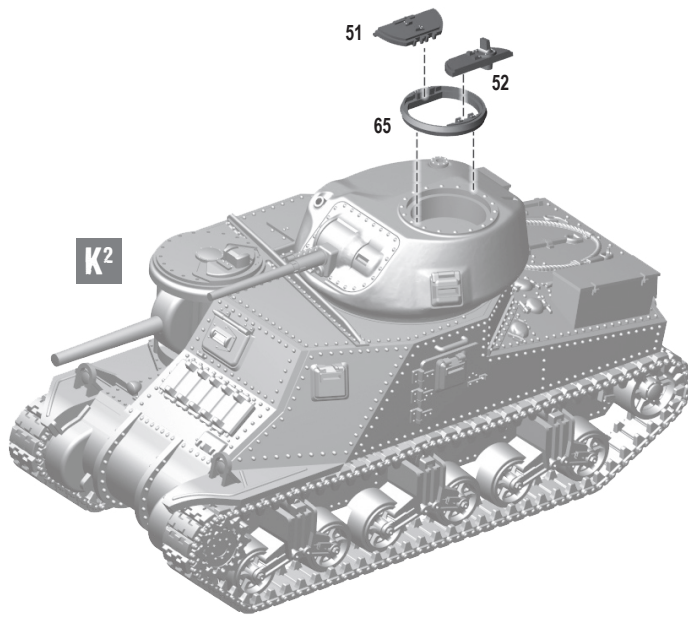
K¹



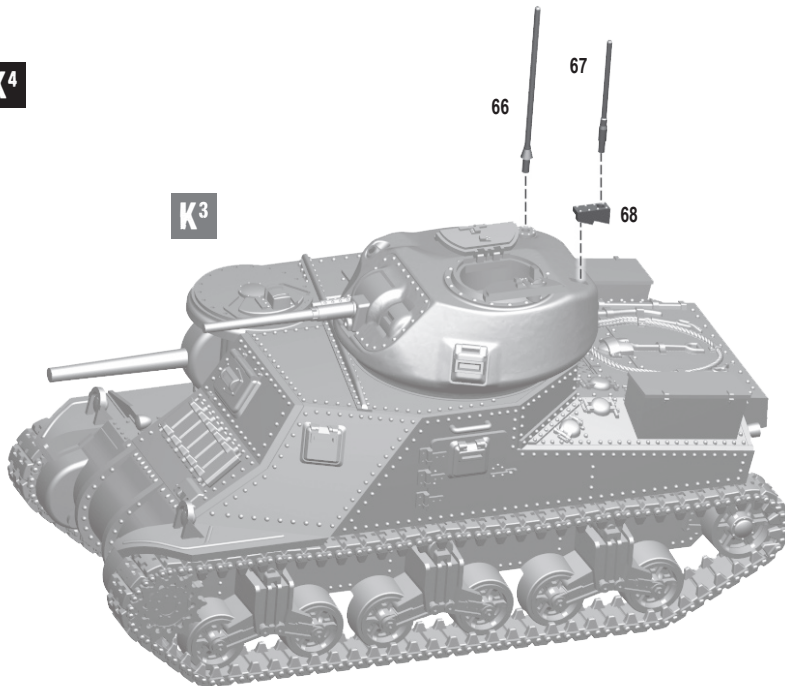
K²



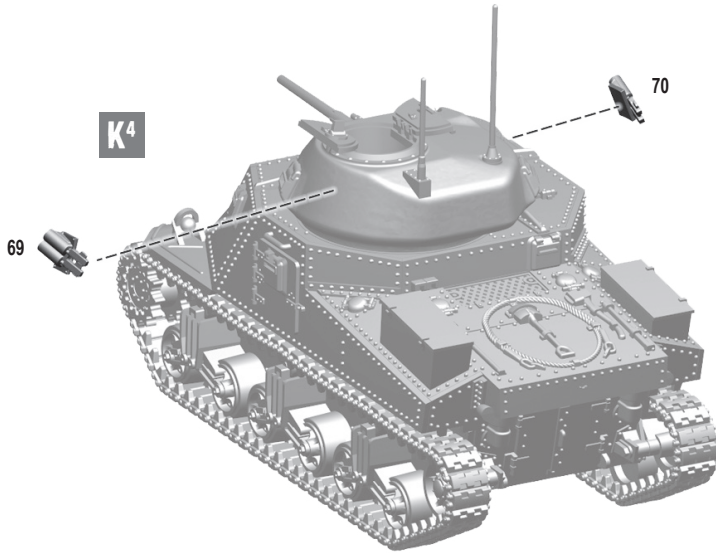
K³ ?



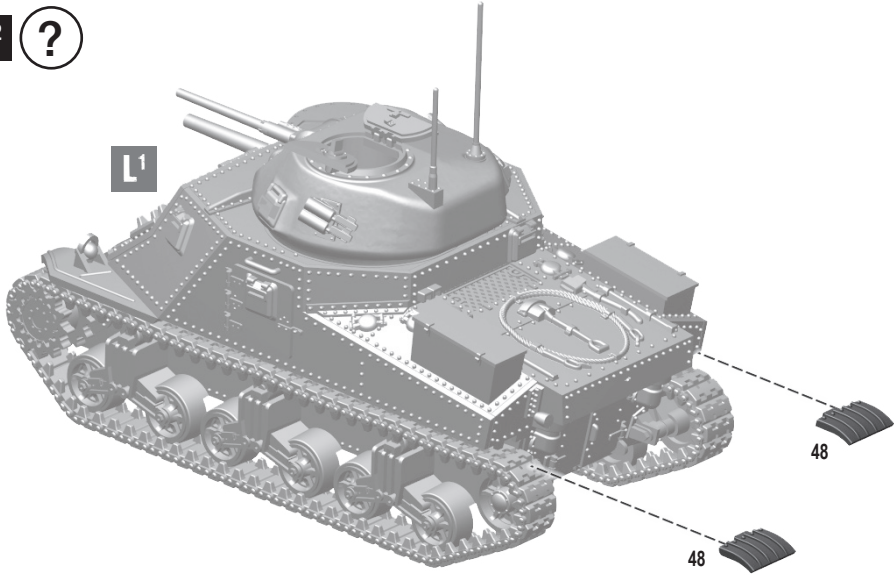
K⁴



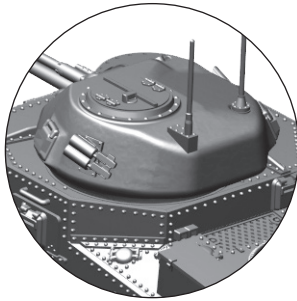
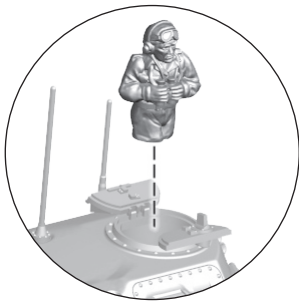
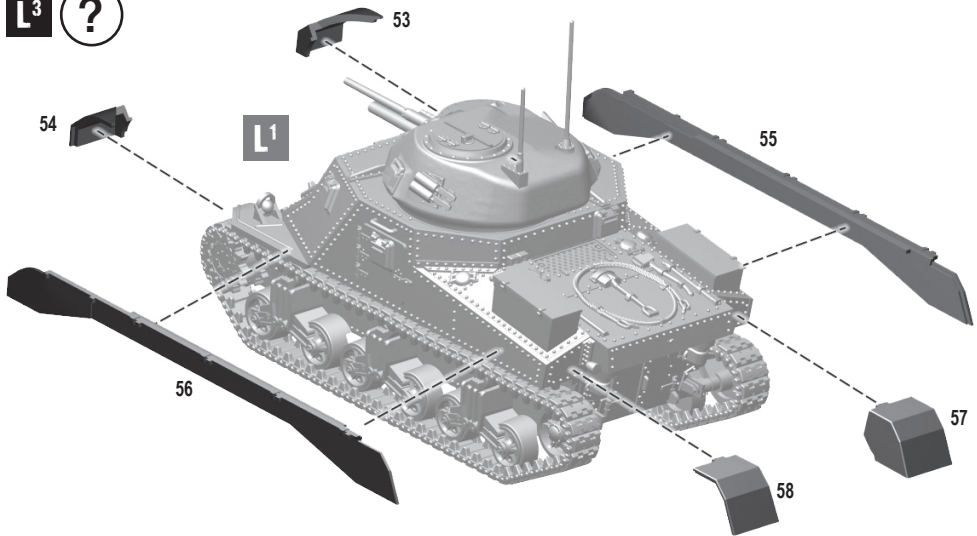
L¹



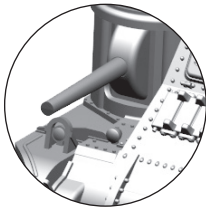
L² ?



L³ ?



Use the tank commander of your choice - US, British, Soviet or Sikh.



M3 LEE MEDIUM TANK

13th Armoured Regiment, 1st Armoured
Division, Tunisia, spring 1943



Warpaints Fanatic Olive Drab

Warpaints Fanatic Desert Yellow

Warpaints Fanatic Gun Metal



Warpaints Fanatic Olive Drab

Warpaints Fanatic Matt White

Warpaints Fanatic Gun Metal

241st Armoured Brigade, Stalingrad, October 1942



M3 LEE MEDIUM TANK

Warpaints Fanatic Desert Yellow

Warpaints Fanatic Dryad Brown

Warpaints Fanatic Gun Metal

British paint scheme - North Africa 1942-43



Warpaints Fanatic Olive Drab

Warpaints Fanatic Gun Metal

254th Indian Tank Regiment,
Burma, 1942-43



M3 GRANT MEDIUM TANK

C squadron, 3rd Royal Tank Regiment
4th Armoured Brigade,
7th Armoured Division, Gazala, May 1943

Warpaints Fanatic Olive Drab

Warpaints Fanatic Desert Yellow

Warpaints Fanatic Dryad Brown



Component code: 407020017