



M18 HELLCAT

ASSEMBLY AND PAINTING GUIDE



After the experiences of improvised tank destroyer vehicles such as the M3 half-track with 75mm gun, M6 truck with 37mm gun and the M10 tank destroyer (3-inch gun on a modified M4 Sherman hull), the US Army were keen to produce a bespoke tank destroyer to hunt enemy armour. An order was issued in late 1941 to mount a 37mm gun in the requested vehicle. This was to be upgraded several times to 57mm, 75mm and then finally a 76mm.

The result of this development would be the M18 Hellcat – the fastest US armoured fighting vehicle of the Second World War.

M18 Hellcats served in the invasion of the Phillipines and saw action in Europe during the landings at Anzio in Italy and in Northwest

Europe. Hellcats were also exported to China where they served in an infantry support role.

The Hellcat could be found in the service of several nations following World War II with the Yugoslav army still fielding them into the 1990s!

| | |
|--|--|
| No. produced: | 2,507 |
| Crew: 5 (driver, co-driver, commander, gunner, loader) | |
| Powerplant: | Continental radial R-975 C-series radial engine |
| Top speed: | 50 mph (80 km/h) road 18 mph (29 km/h) off-road |
| Range: | 160 km on road at cruising speed |
| Armament: | 76mm gun, 45 rounds Browning M2HB .50 Cal HMG, 800 rounds |
| Armour: | From 4.8 to 25mm |

WARLORD
GAMES
warlordgames.com

ASSEMBLY GUIDE KEY

A Assembly stage

Do Not Glue.

22 Part number

A Previous assembly stage

Special assembly instructions

3 Decal number

Optional assembly

Drill part

987 Paint number (Vallejo)

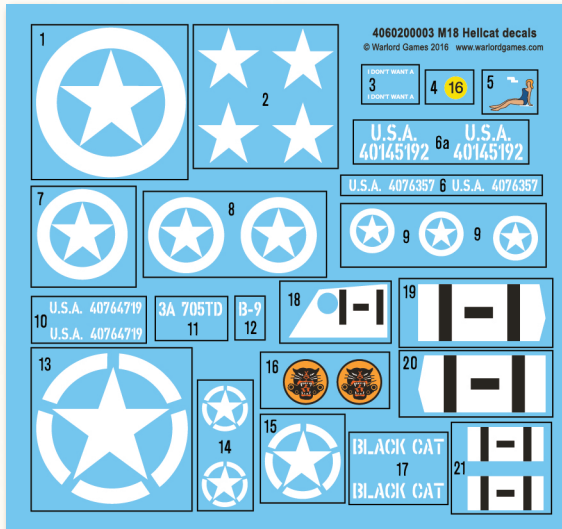
Follow this simple guide to building your M18 Hellcat tank destroyer. Before beginning the construction, read through the leaflet and decide which version you want to build, and which markings will be needed as this may affect the order in which the model is constructed.

Carefully remove each component from the frame with clippers or a craft knife. Trim off excess plastic before assembling. Test fit all parts before applying glue.

We recommend using polystyrene cement to assemble the kit, and to use this in a well-ventilated area.

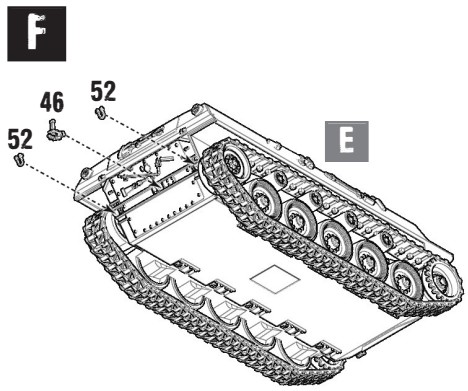
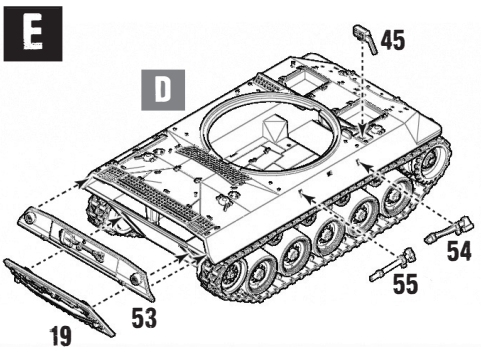
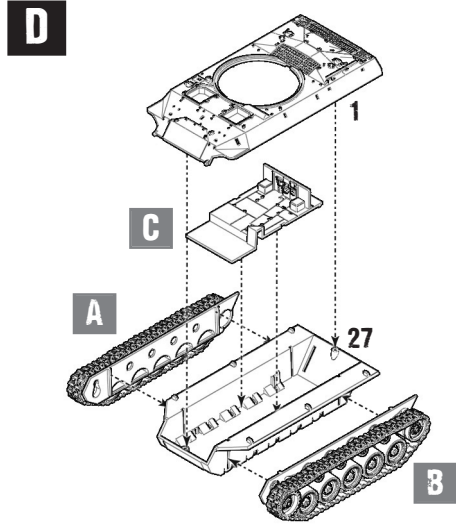
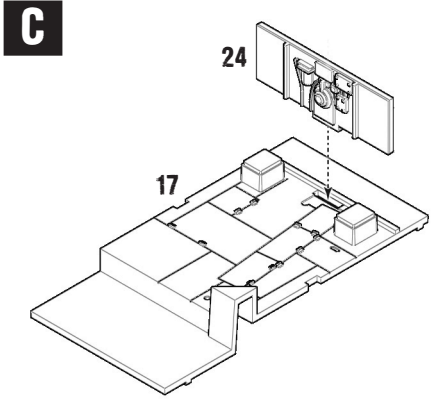
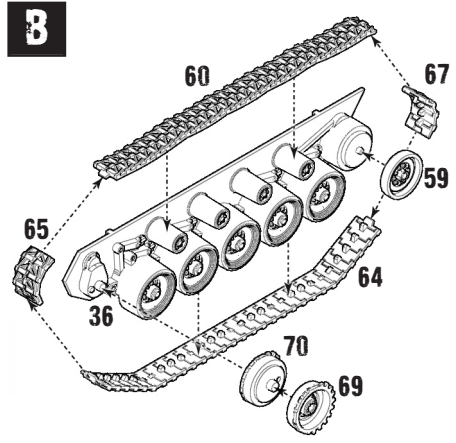
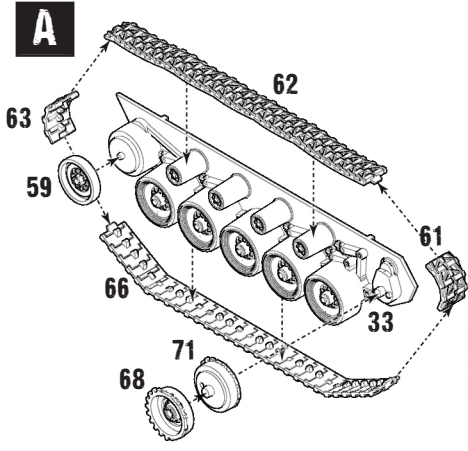
Keep tools, glues, paints and small components away from children. Warlord Games recommend this kit for ages 14 and over.

Plastic produced by

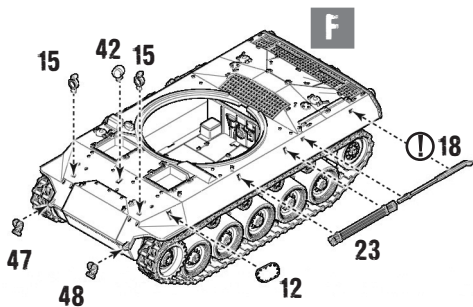


DECAL APPLICATION GUIDE

- Apply a coat of gloss varnish to the areas that will receive the decal and allow this to dry fully.
- Cut out a decal from the sheet and soak it in luke warm water for 2-3 minutes.
- Once the design has started to separate from the backing paper, use tweezers or a wet paintbrush to slide the design into place on the model.
- Use a tissue to dab away any excess water from the model, and allow to dry.
- Apply a coat of matt varnish to seal the decal in place.

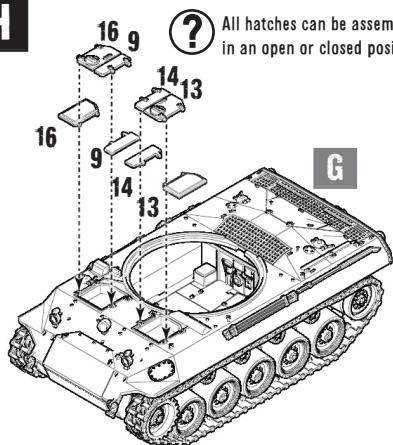


G



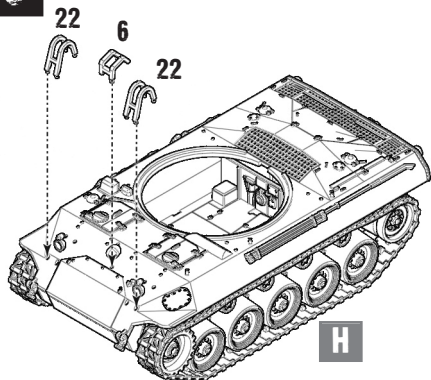
If building a variant that uses either of decal numbers 6a or 19, part 18 should be attached after the hull is painted and decals have been applied.

H

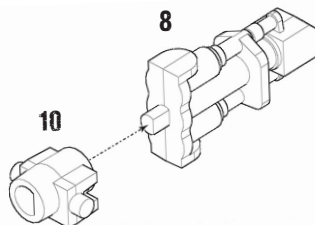


All hatches can be assembled in an open or closed position.

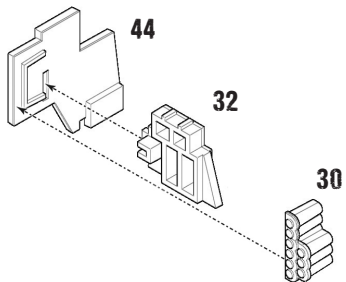
J



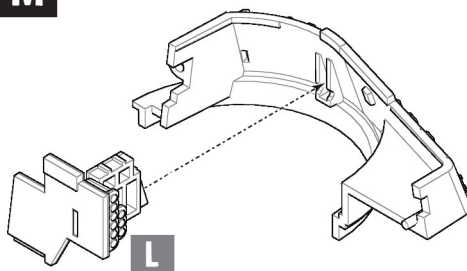
K

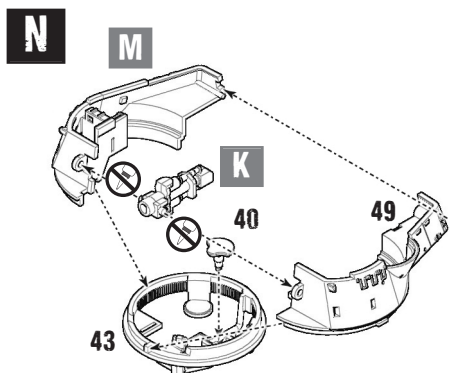


L

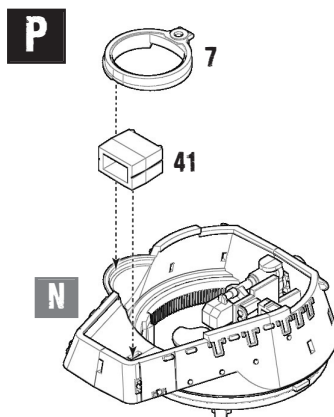


M



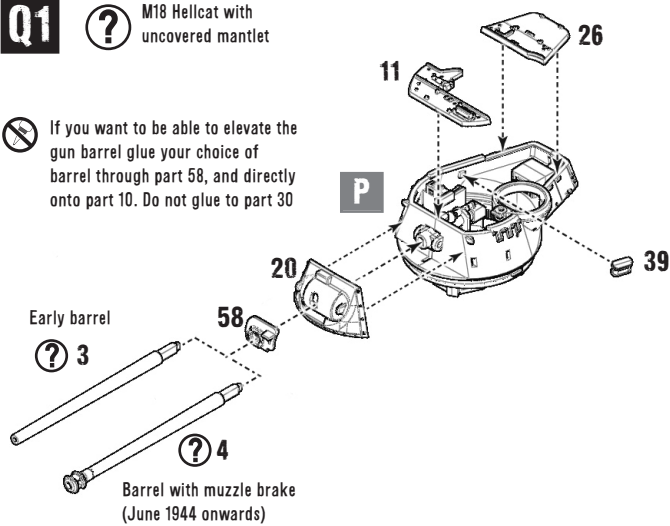


⊘ If you want to be able to elevate the gun barrel (uncovered mantlet option only) do not glue assembly K to the turret sides.

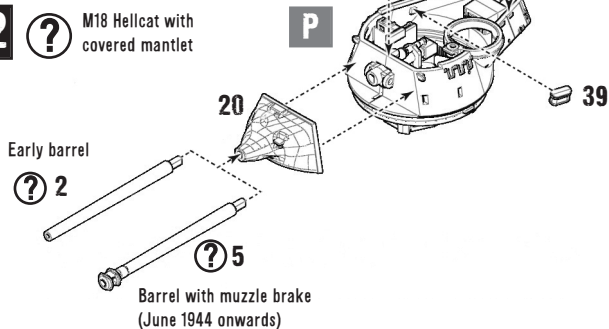


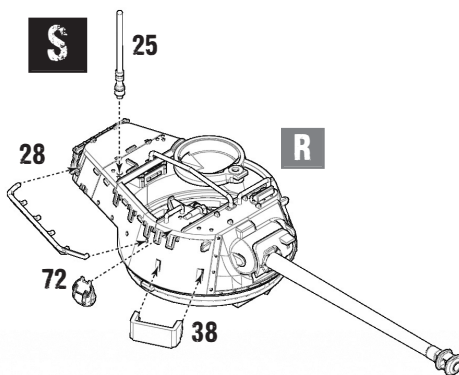
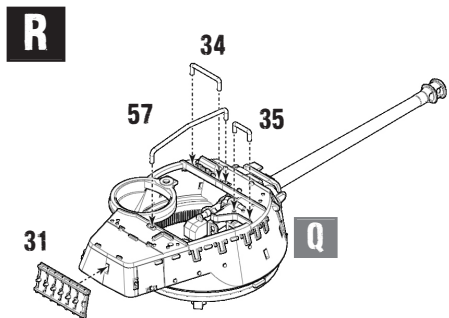
Q1 (?) M18 Hellcat with uncovered mantlet

⊘ If you want to be able to elevate the gun barrel glue your choice of barrel through part 58, and directly onto part 10. Do not glue to part 30

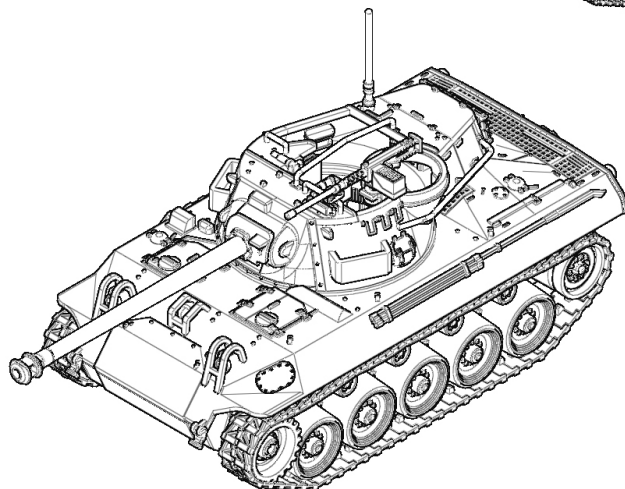
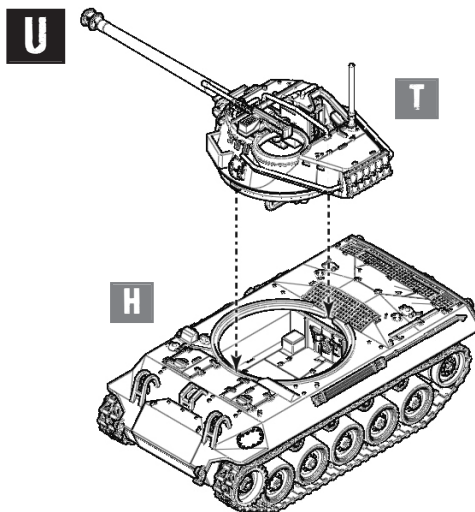
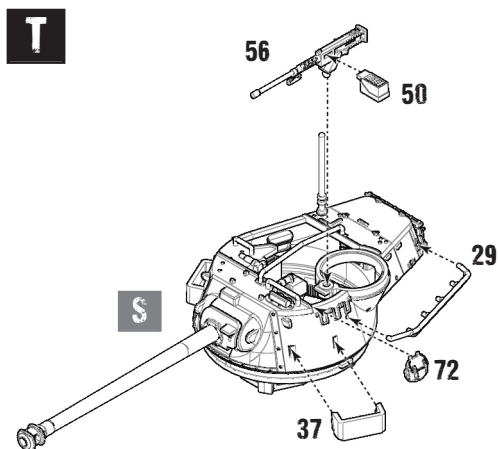


Q2 (?) M18 Hellcat with covered mantlet

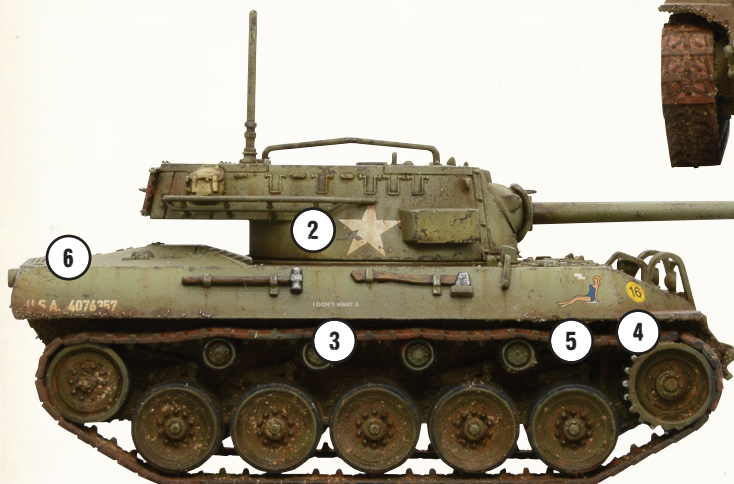
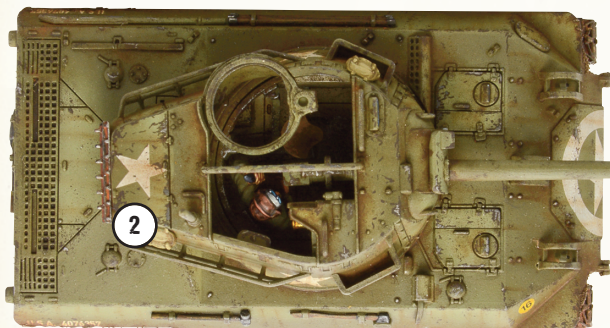




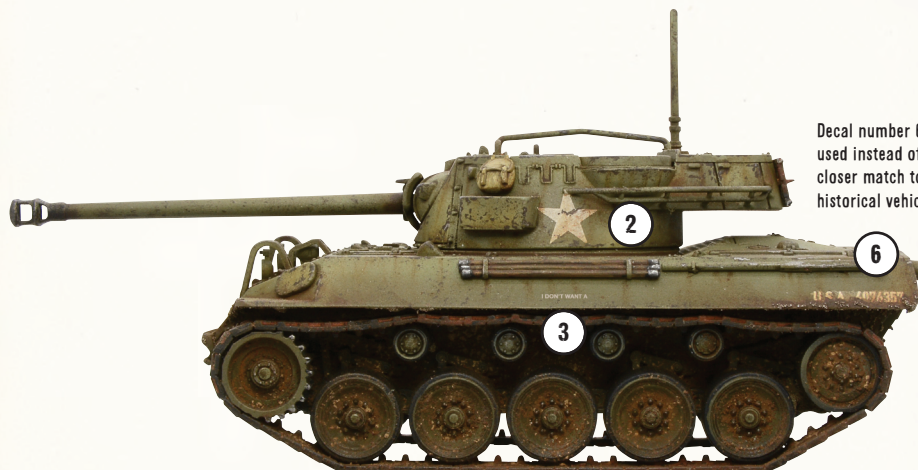
? The backpacks (Part 72) were most often hung from the hooks on the top side of the turret or from the tools and equipment along the hull.



M18 HELLCAT – FRANCE – SEPTEMBER 1944



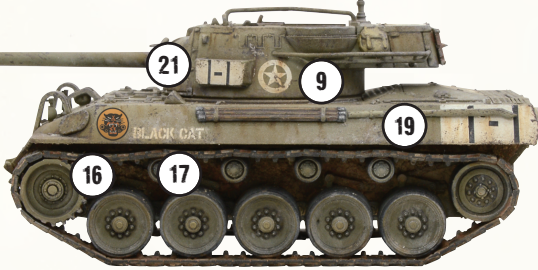
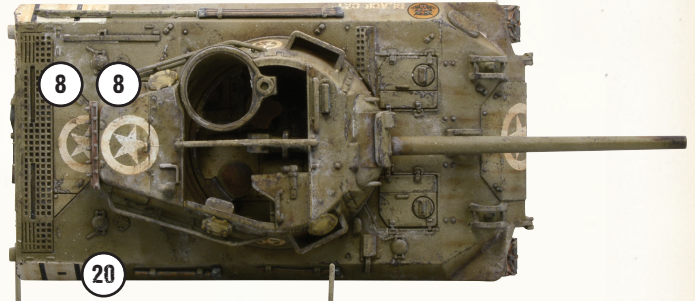
USA Olive Drab -
Vallejo Surface
Primer 70.608



Decal number 6a can
used instead of 6 as a
closer match to the
historical vehicle.

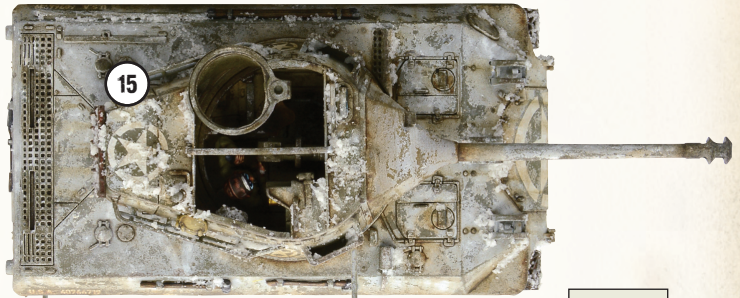


M18 HELLCAT - ITALY - 1944



USA Olive Drab -
Vallejo Surface
Primer 70.608

M18 HELLCAT - ARDENNES OFFENSIVE - JANUARY 1945



Offwhite -
Vallejo 70.820



USA Olive Drab -
Vallejo Surface
Primer 70.608

Component code: 4070200007

