

# Sd.Kfz 222 & 223 ARMoured CAR

## ASSEMBLY AND PAINTING GUIDE



Germany's highly effective blitzkrieg tactics during the early years of WWII in Europe, Africa, and the Eastern Front required fast, manoeuvrable vehicles. German blitzkrieg was made infamous at the start of the war and continued to prove effective in the deserts of North Africa. Spearheading these rapid and highly mobile attacks were the Wehrmacht's *Aufklärungsabteilungen* (reconnaissance battalions). They ranged ahead of the main Panzer divisions, seeking safe routes and pinpointing enemy positions for elimination.

The Sd.Kfz 222 *Leichter Panzerspähwagen* (light armoured reconnaissance vehicle) was a four-wheeled drive armoured car built by Horch and armed with a 2cm light autocannon and co-axial MG34 machine gun.

The Sd.Kfz 223 command variant removed the autocannon and added radio equipment with distinctive aerial frame. Seeing action in all theatres of war in which German forces participated it was also fielded by Romanian, Bulgarian and Nationalist Chinese armies.

### Sd.Kfz. 222/223 armoured car

<b>No. produced:</b>	Approx. 2,394
<b>Crew:</b>	3
<b>Powerplant:</b>	Horch 3.8 V8 petrol 90 PS (66 kW; 89 hp)
<b>Top speed:</b>	Road: 80 km/h (50 mph) Cross Country: 40 km/h (25 mph)
<b>Range:</b>	350 km (220 mi)
<b>Armament:</b>	Sd.Kfz. 222 – 1 x 2 cm KwK 30 L/55 autocannon 1 x MG 34 Sd.Kfz. 223 – 1 x MG 34
<b>Armour:</b>	5–14.5 mm (0.20–0.57 in)
<b>Weight:</b>	4 tonnes (8818.49 lb)

## ASSEMBLY GUIDE KEY



Assembly stage



Do not glue

22

Part number



Previous assembly stage



Special assembly instructions

3

Decal number



Optional assembly



Drill part

987

Paint number (Vallejo)

Follow this simple guide to build your Sd.Kfz. 222/223 half-track in the variant of your choice.

Carefully remove each component from the frame with clippers or a craft knife. Trim off excess plastic before assembling. Test fit all parts before applying glue.

We recommend using polystyrene cement to assemble the kit, and to use this in a well-ventilated area.

Keep tools, glues, paints, and small components away from children. Warlord Games recommend this kit for ages 14 and over.

## DECAL APPLICATION GUIDE

- Apply a coat of gloss varnish to the areas that will receive the decal and allow this to dry fully.
- Cut out a decal from the sheet and soak it in luke warm water for 2-3 minutes.
- Once the design has started to separate from the backing paper, use tweezers or a wet paintbrush to slide the design into place on the model.
- Use a tissue to dab away any excess water from the model, and allow to dry.
- Apply a coat of matt varnish to seal the decal in place.

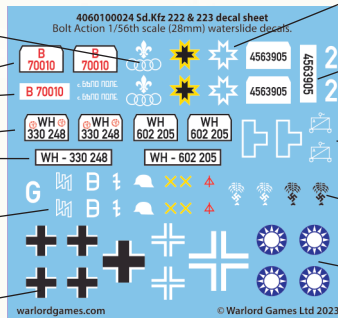
Bulgarian Armoured Brigade markings

Bulgarian registration plates

Wehrmacht registration plates

German divisional markings

Balkenkreuz



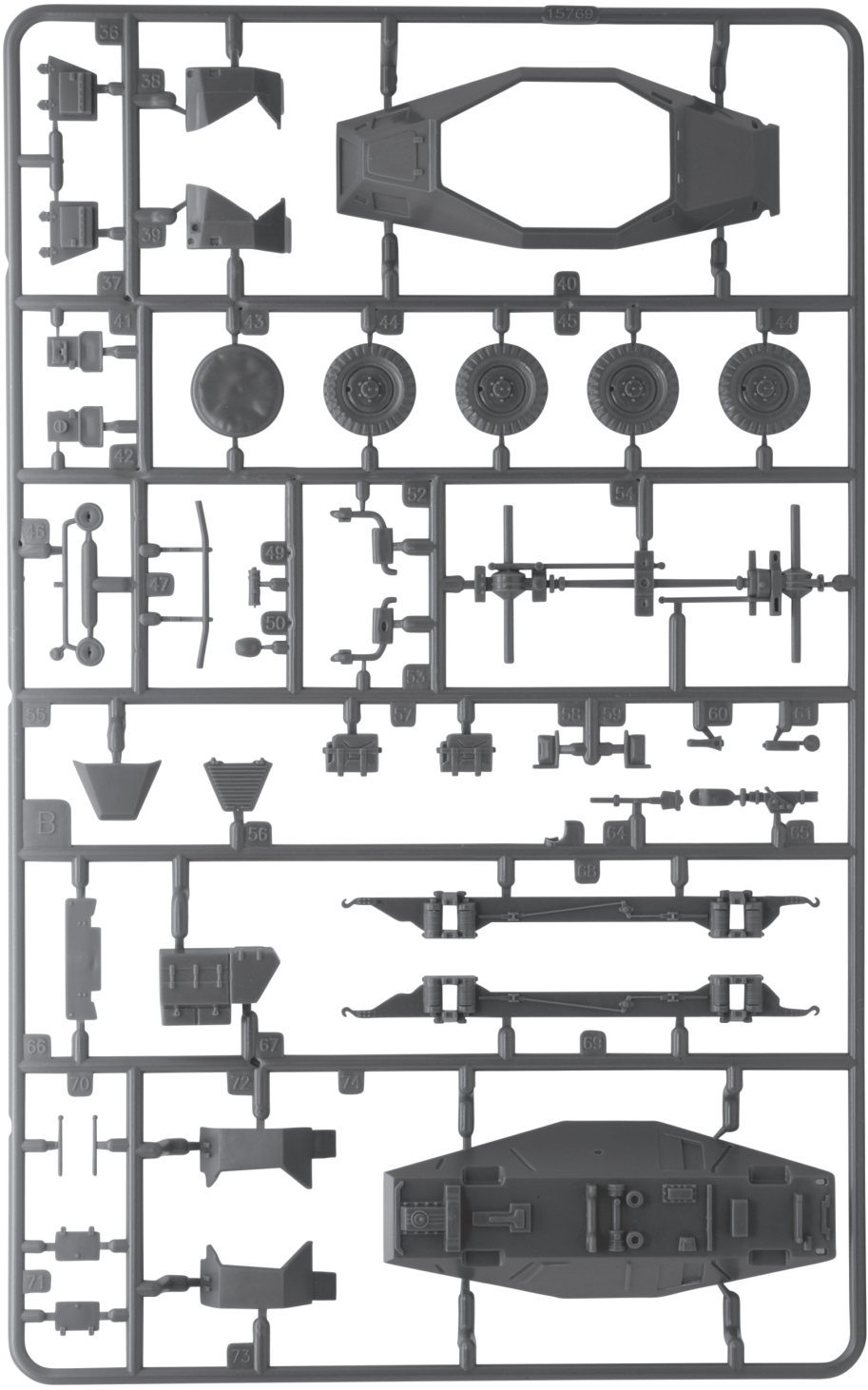
Romanian national markings

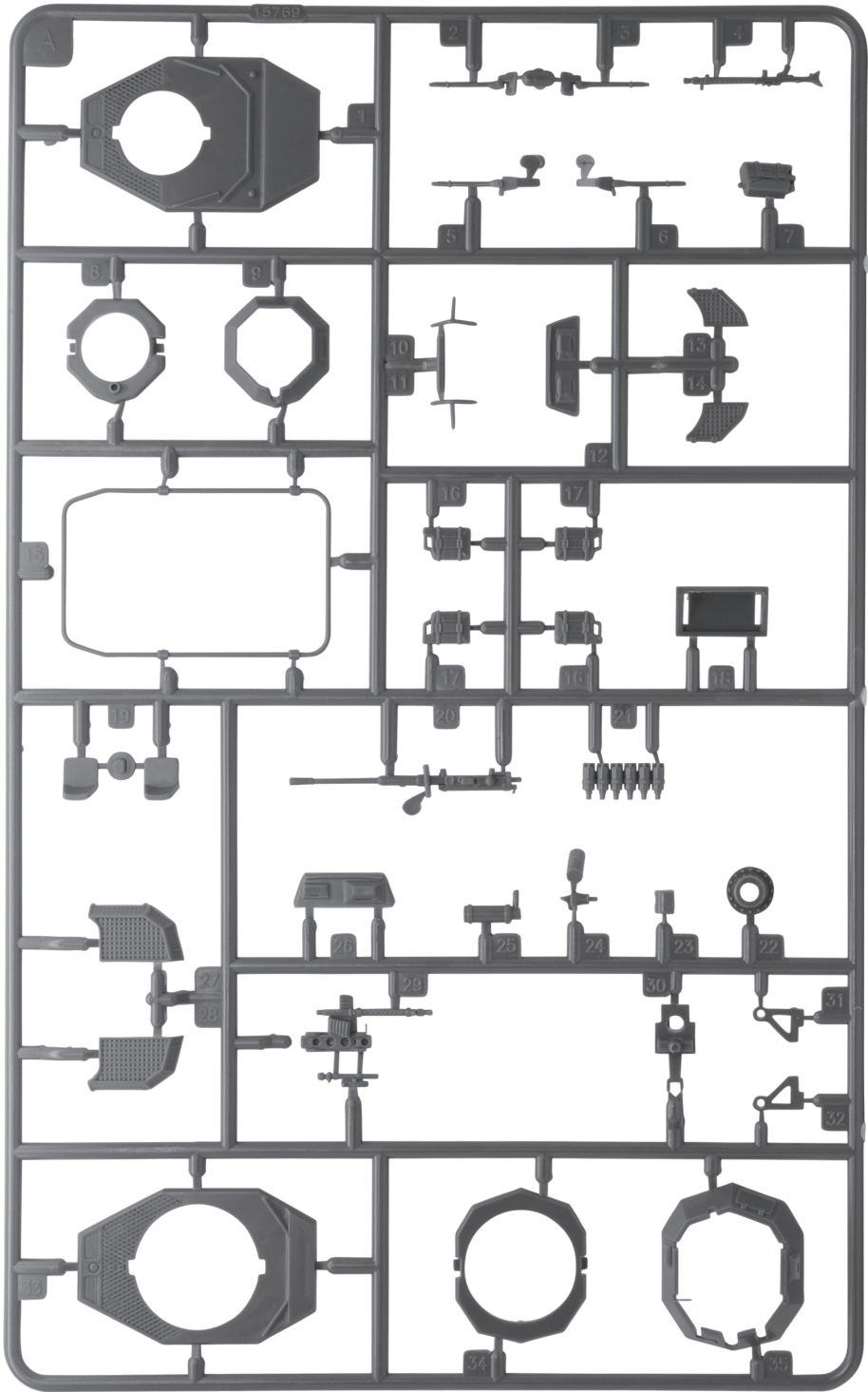
Romanian registration plates

German reconnaissance company markings

Deutsche Afrika Korps markings

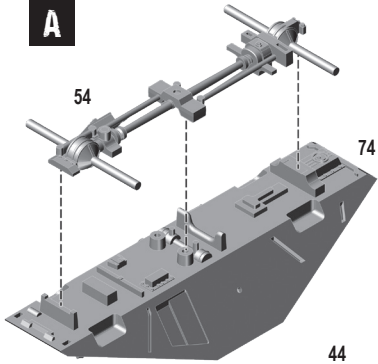
Chinese Nationalist markings



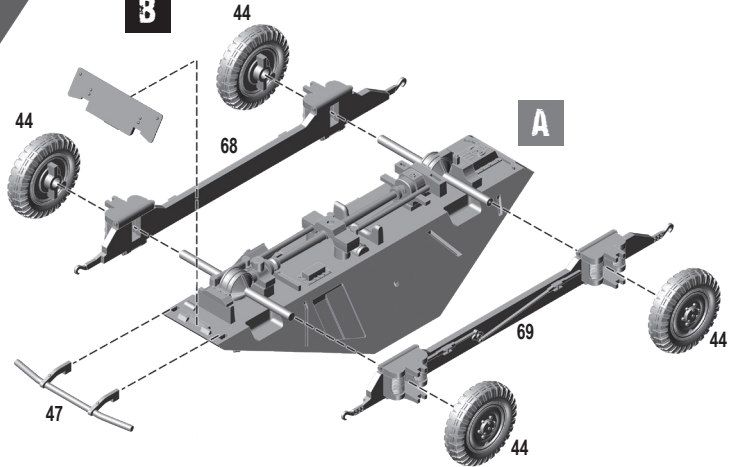


Follow stages A-F for both versions.

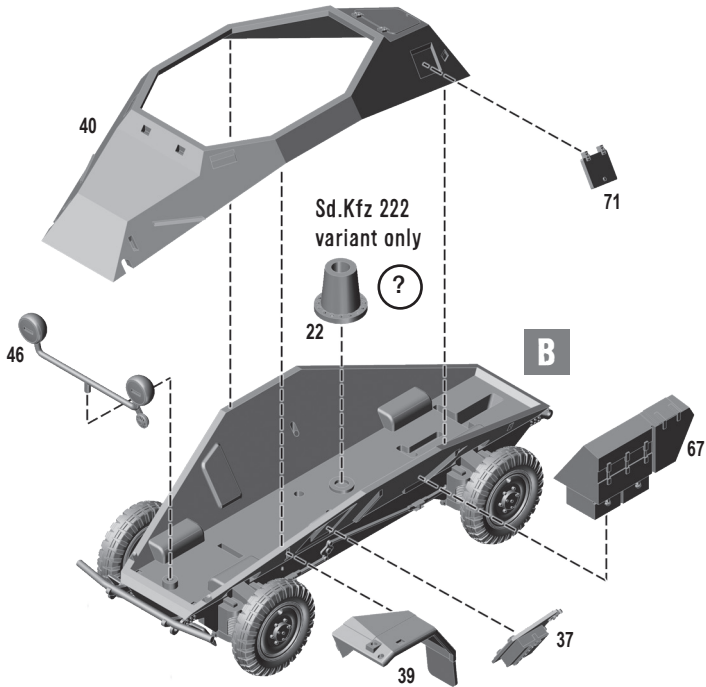
**A**



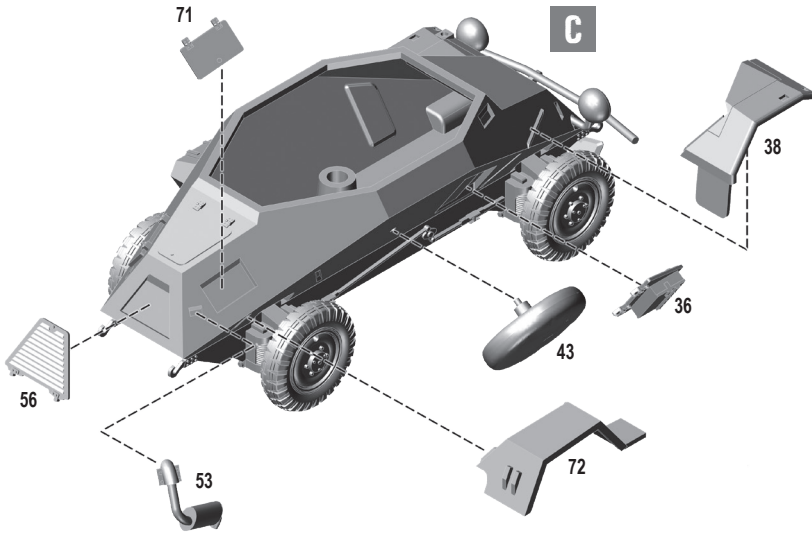
**B**



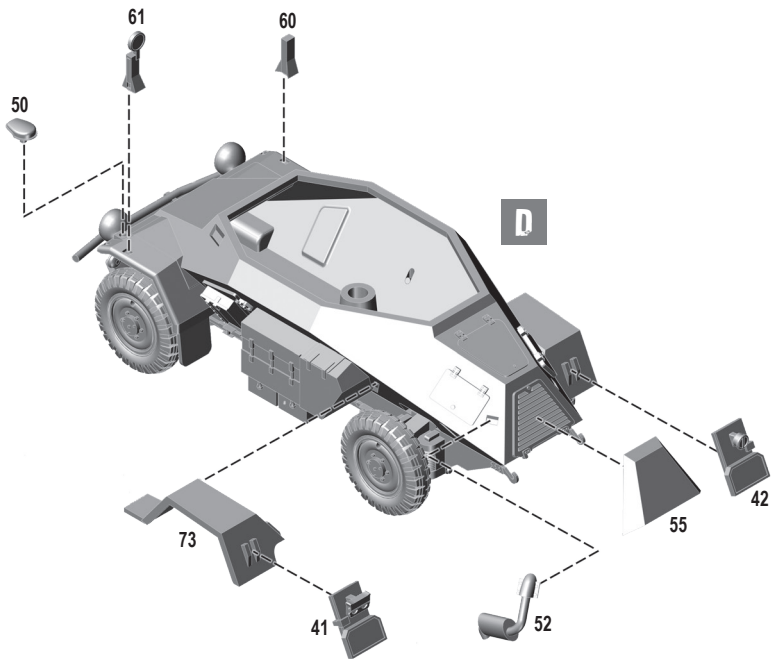
**C**



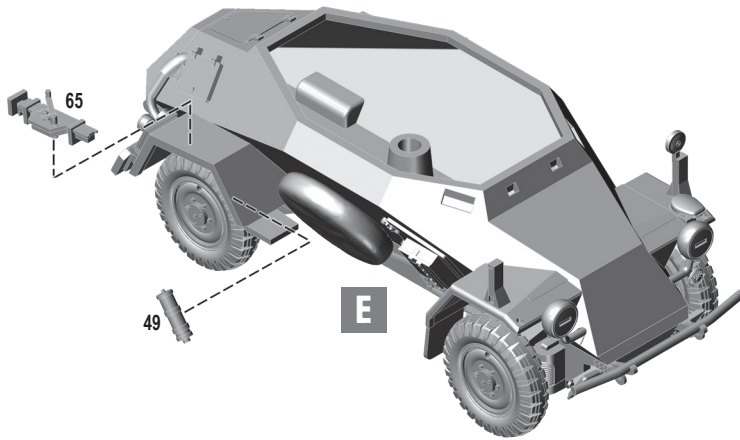
**D**



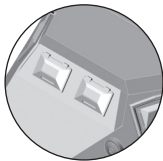
**E**



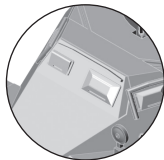
**F**



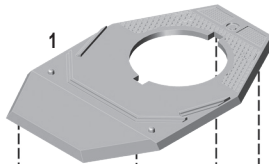
**G**



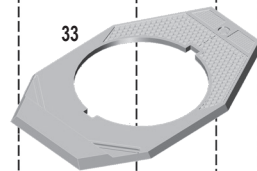
12 - Sd.Kfz 223 variant only (?)



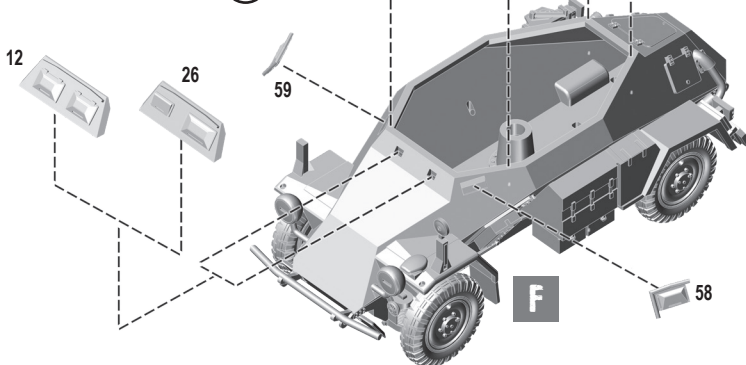
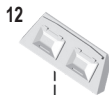
26 - Sd.Kfz 222 variant only (?)



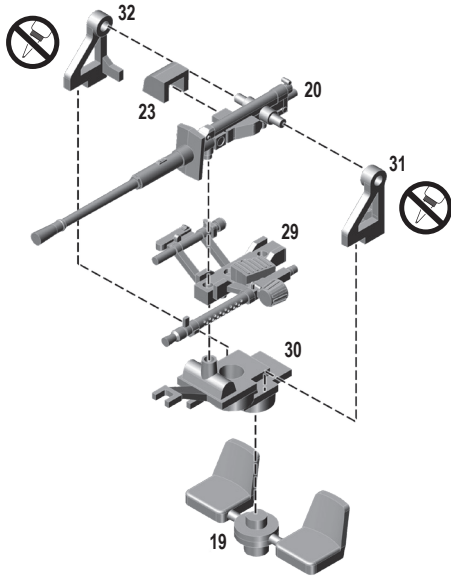
Sd.Kfz 223 variant only (?)



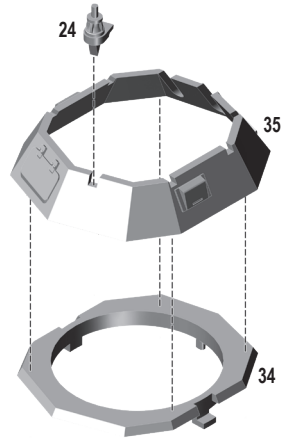
Sd.Kfz 222 variant only (?)



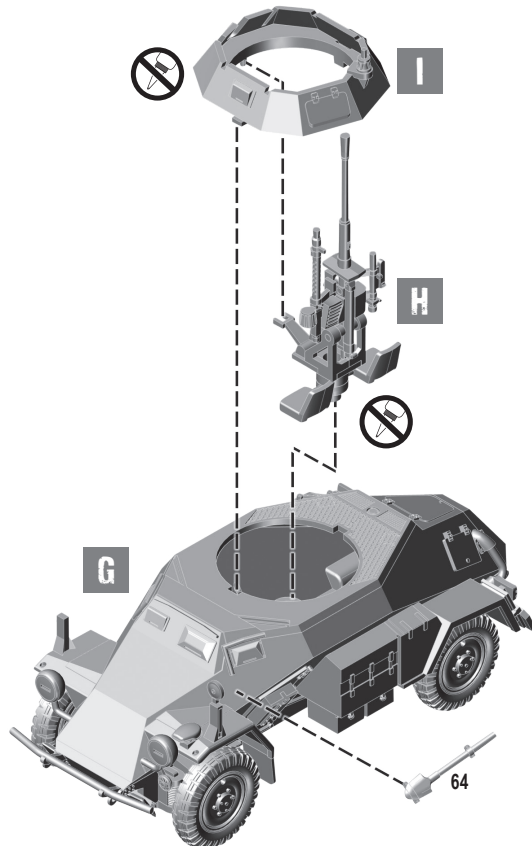
**H** Sd.Kfz 222 variant only (?)



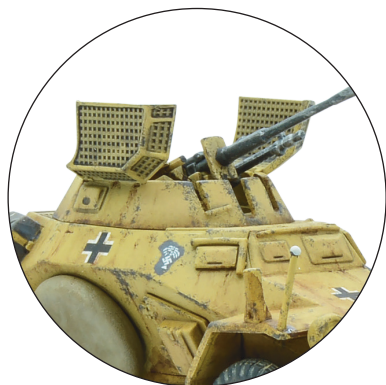
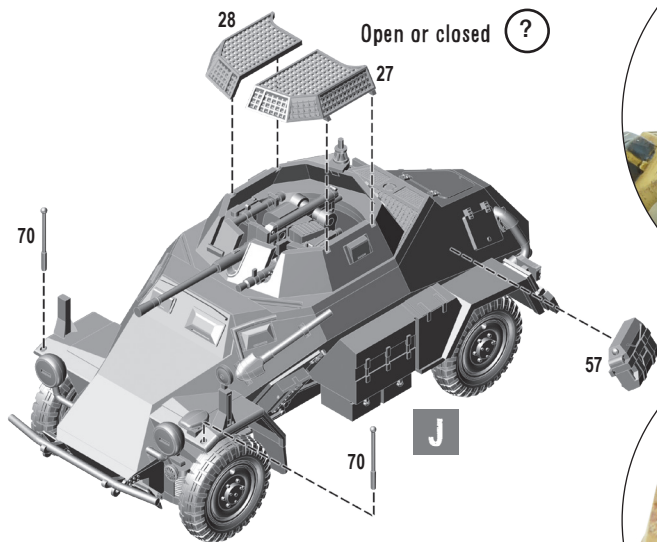
**I** Sd.Kfz 222 variant only (?)



**J** Sd.Kfz 222 variant only (?)

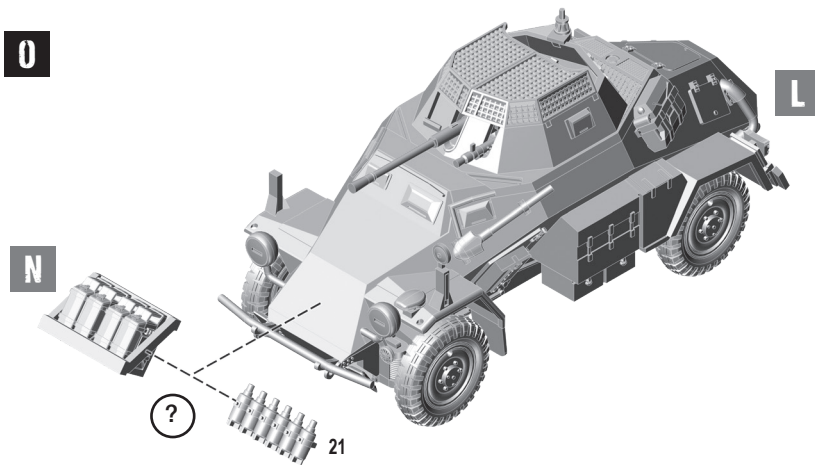
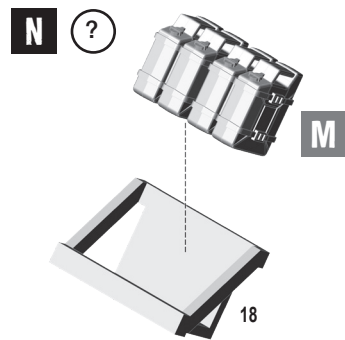
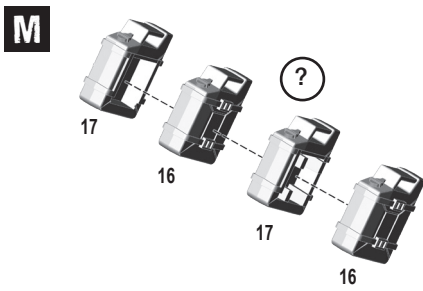
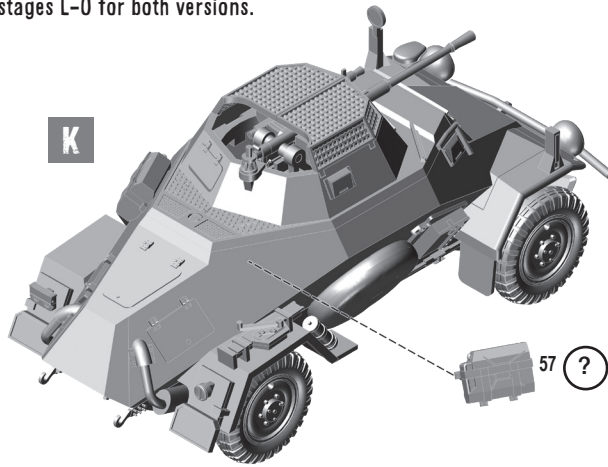


**K** Sd.Kfz 222 variant only (?)

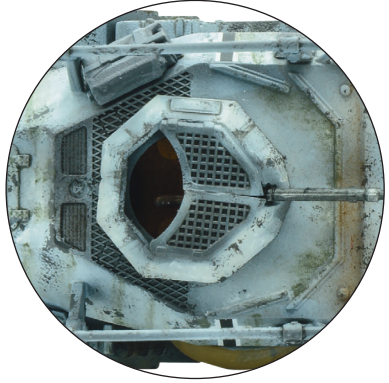
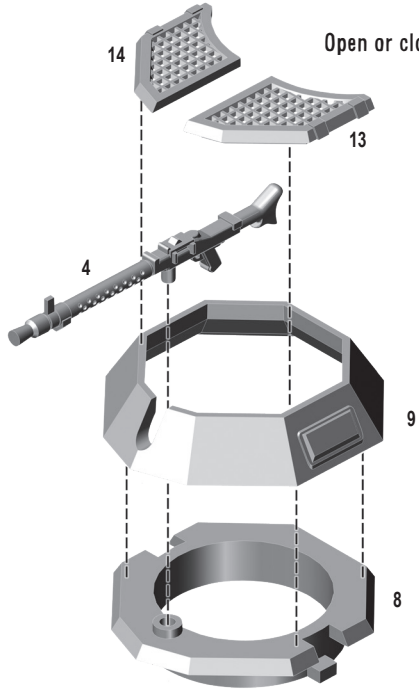


Sd.Kfz 222 in three-tone 'ambush' scheme, Northwest Europe 1944-45.

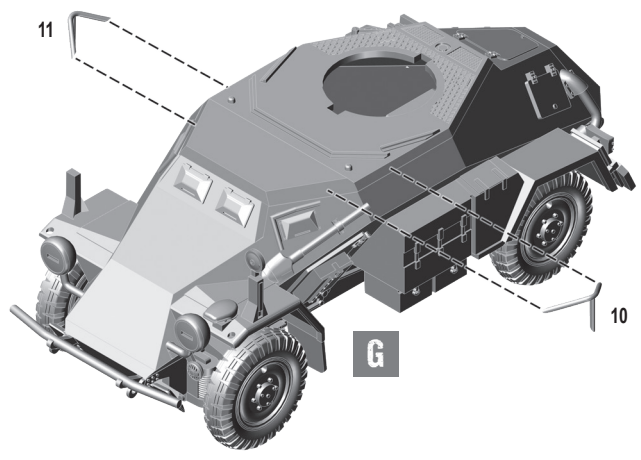
**L** Follow stages L-0 for both versions.



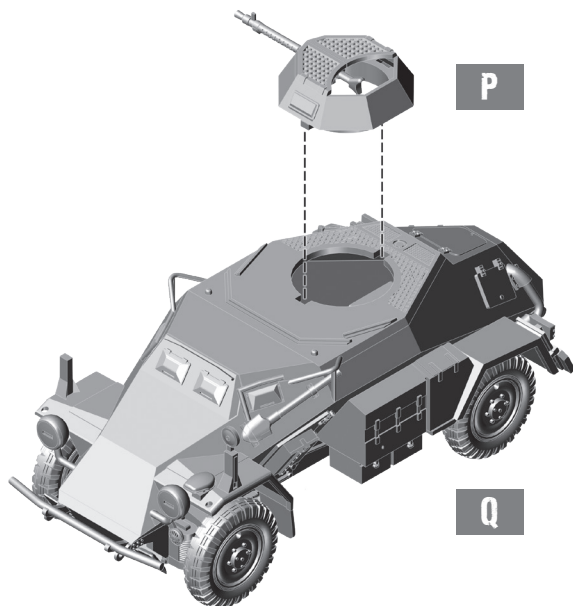
**P** Follow stages P-U for Sd.Kfz 223 variant. **?**



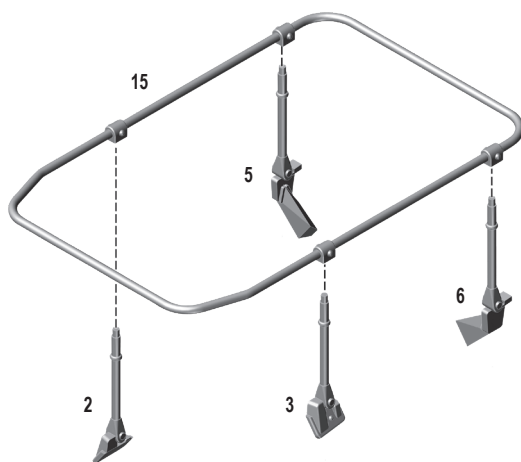
**Q**



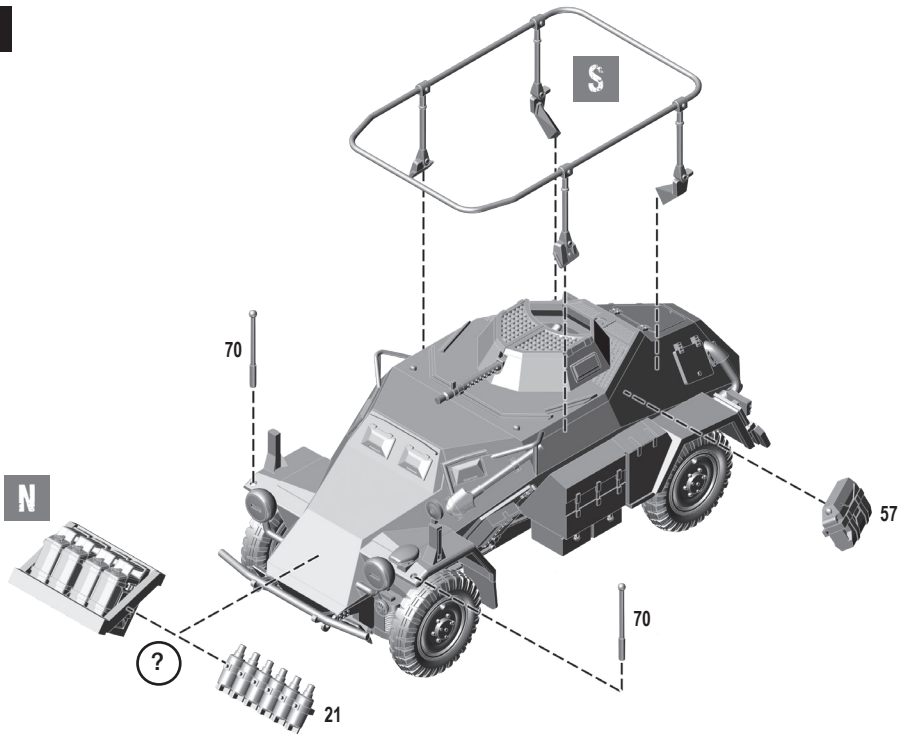
R



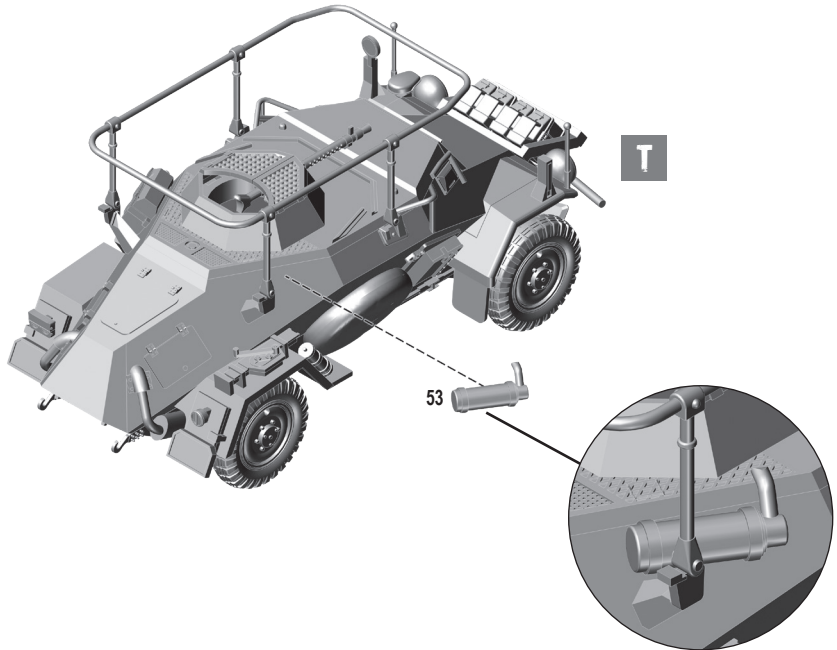
S



**T**



**U**

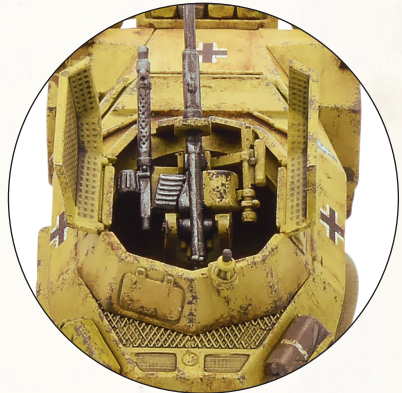
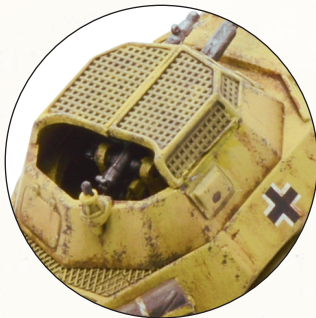


# SD.KFZ. 222



Vallejo Model Colour Desert Yellow

Sd.Kfz 222 in desert scheme – North Africa 1941-43.



# SD.KFZ. 222



Vallejo Model Colour Desert Yellow

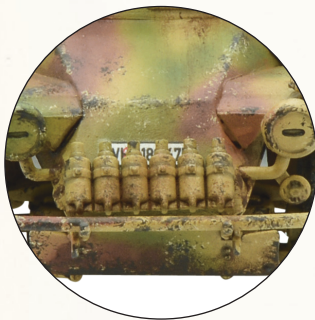


Vallejo Model Colour Camo Olive Green



Vallejo Model Colour German Camo Medium Brown

Sd.Kfz 222 in three-tone 'ambush' scheme, Northwest Europe 1944-45.

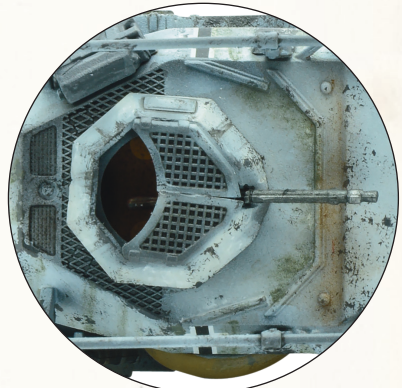


# SD.KFZ. 223

Vallejo Model Colour German Grey

Sd.Kfz 222 in winter whitewash –  
Eastern Front 1941-45.

Vallejo Model Colour Off White



Component code: 4070100030