



# JAGDPANZER 38(T) HETZER

## ASSEMBLY AND PAINTING GUIDE











Based on the reliable Czechoslovakian Panzer 38(t) chassis, almost 3,000 of Hetzers (Baiters) were built by the war's end. Its small size and very low profile gave it distinct advantages in its role as a tank hunter. In addition it wasn't hampered by the mechanical problems associated with the larger tank destroyers such as the Jagdpanther and Jagdtiger, nor did it have the unprotected fighting compartment of the Nashorn or Marder tank hunters. Its remote control roof machine gun gave it good close defence capability.

Hetzers equipped many Waffen-SS and Wehrmacht (even the Luftwaffe and Kriegsmarine) formations, seeing action on all fronts on which Germany fought, as well as with the Hungarian army. The first Hetzers entered service with 731<sup>st</sup> and 743<sup>rd</sup> Heeres Panzerjäger Abteilung in May/June of 1944.

<b>No. produced:</b>	approx. 2827
<b>Crew:</b>	4
<b>Powerplant:</b>	Praga 6-cylinder petrol, 7.8 litres 160 PS (158 hp, 118 kW)
<b>Top speed:</b>	26 mph (42 km/h)
<b>Range:</b>	110 miles (177 km)
<b>Main armament:</b>	7.5 cm Pak 39 L/48
<b>Second. armament:</b>	7.92 mm Maschinengewehr 34
<b>Armour:</b>	8-60 mm
<b>Weight:</b>	15.75 tonnes

**WARLORD**<sup>™</sup>  
GAMES  
warlordgames.com

### ASSEMBLY GUIDE KEY

- |   |   |  |
|---|---|--|
|  Assembly stage          |  Do Not Glue.                  | <b>22</b> Part number  |
|  Previous assembly stage |  Special assembly instructions |  Decal number           |
|  Optional assembly       |  Drill part                    |  Paint number (Vallejo) |

Follow this simple guide to building your Jagdpanzer 38(t) Hetzer tank destroyer. Carefully remove each component from the frame with clippers or a craft knife. Trim off excess plastic before assembling. Test fit all parts before applying glue. We recommend using polystyrene cement to assemble the kit, and to use this in a well-ventilated area.

Keep tools, glues, paints and small components away from children. Warlord Games recommend this kit for ages 14 and over.

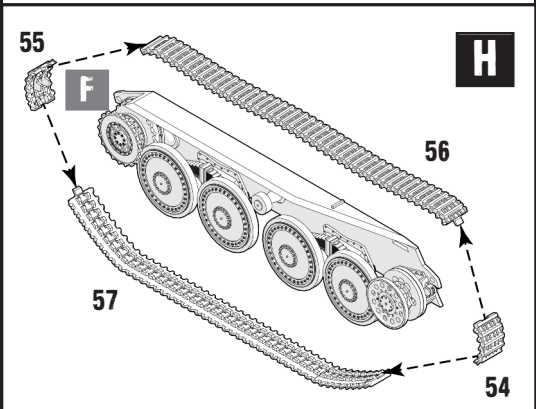
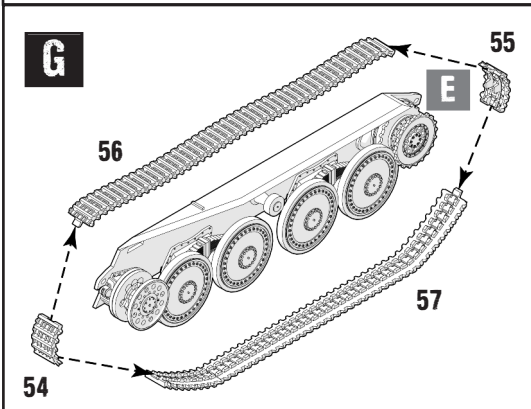
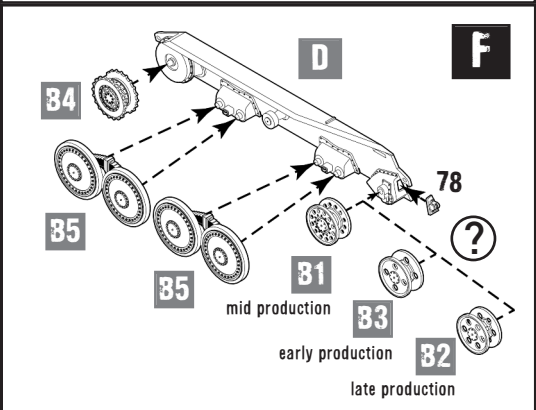
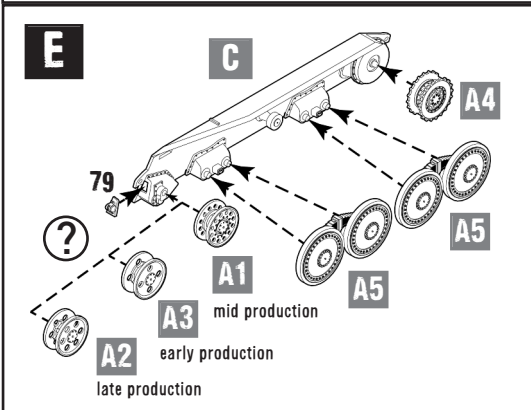
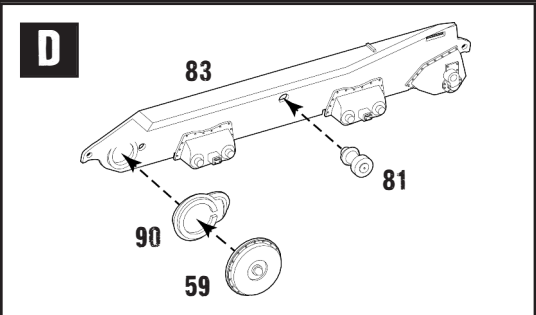
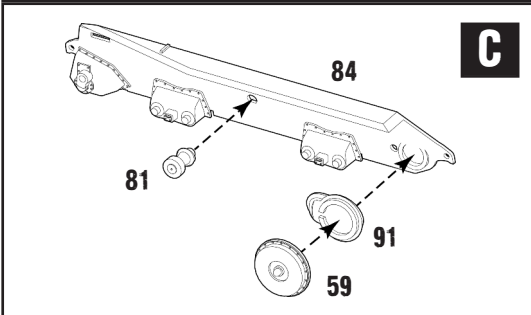
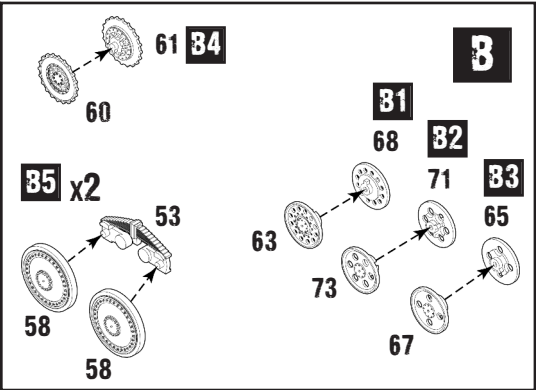
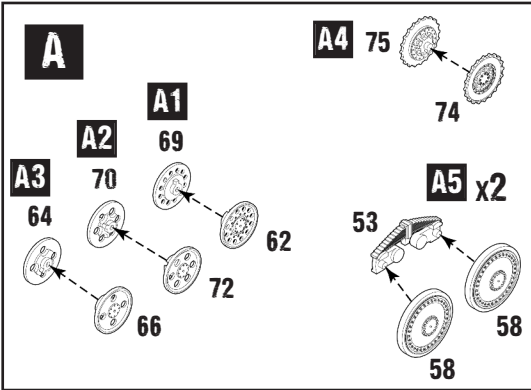
### DECAL APPLICATION GUIDE

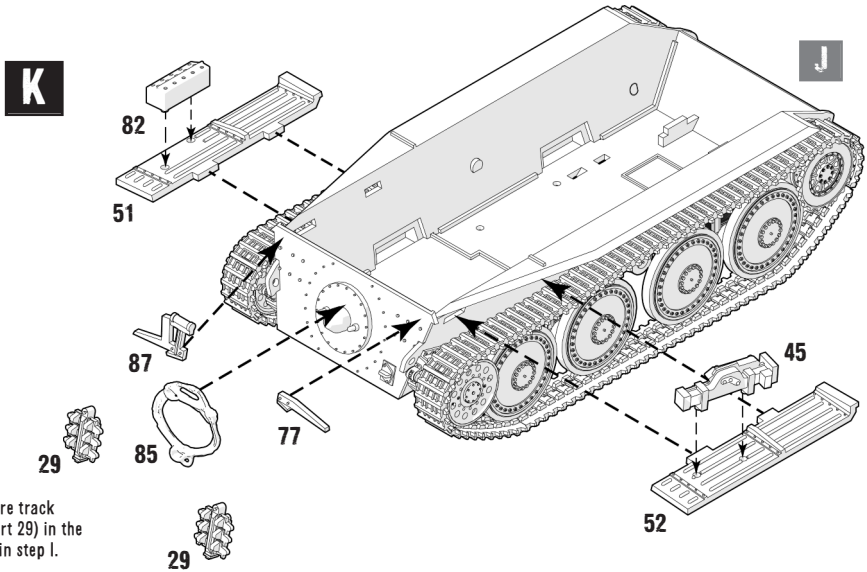
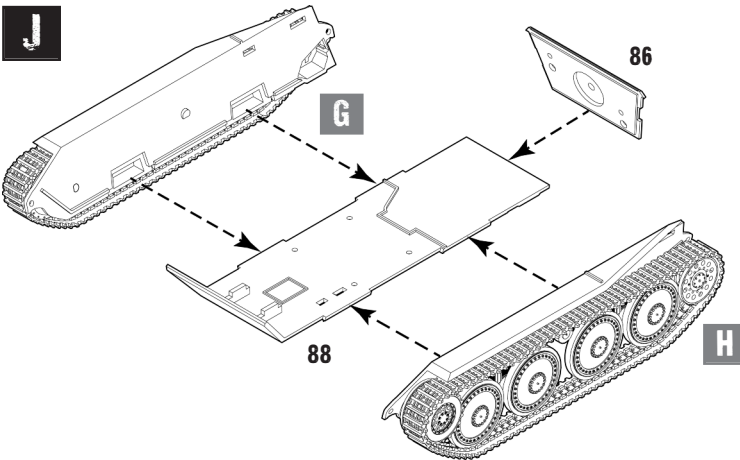
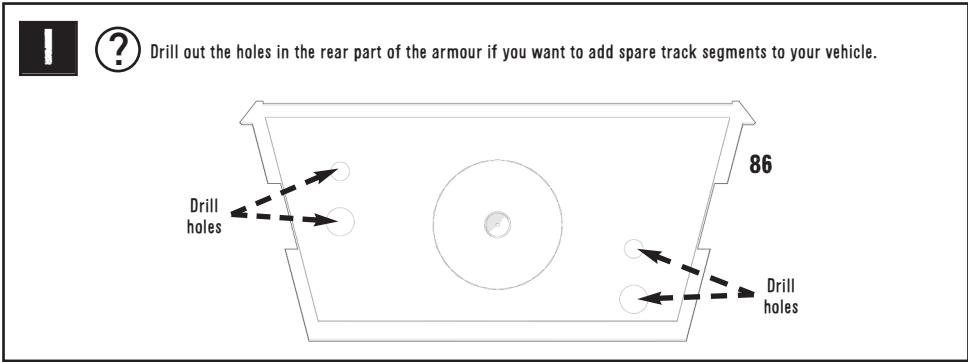
- Apply a coat of gloss varnish to the areas that will receive the decal and allow this to dry fully. paintbrush to slide the design into place on the model.
- Cut out a decal from the sheet and soak it in luke warm water for 2-3 minutes.
- Use a tissue to dab away any excess water from the model, and allow to dry.
- Once the design has started to separate from the backing paper, use tweezers or a wet paintbrush to slide the design into place on the model.
- Apply a coat of matt varnish to seal the decal in place.

4060100016: Marder III (Sd.Kfz 139) & Hetzer decal sheet Bolt Action 1/56th scale (28mm) waterslide decals  
[www.warlordgames.com](http://www.warlordgames.com) © Warlord Games Ltd., 2017

The decal sheet contains the following markings:

- Column 1: Numbers 12, 14, 16 (repeated 5 times each)
- Column 2: Numbers 141, 142, 143 (repeated 5 times each)
- Column 3: Grid of crosses (1x5, 2x5, 3x5)
- Column 4: Numbers 1, 2, 3, 4, 5 (repeated 5 times each)
- Column 5: Grid of crosses (5x5)
- Column 6: Numbers 31, 32, 33 (repeated 5 times each)
- Column 7: Grid of squares (3x3)
- Column 8: Grid of crosses (3x3)
- Column 9: Grid of crosses with arrows pointing to specific parts of the model (3x3)
- Column 10: Vertical strip of numbers 489, 207, 632 (repeated 5 times each)

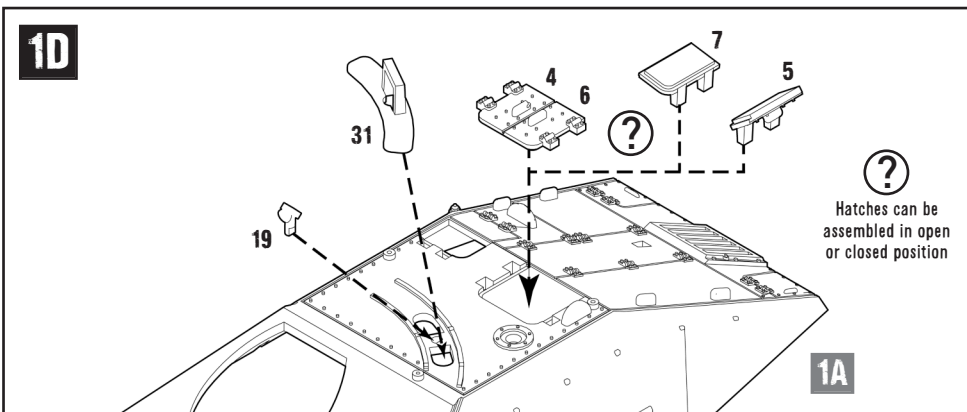
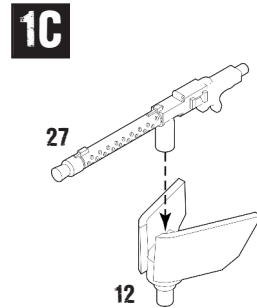
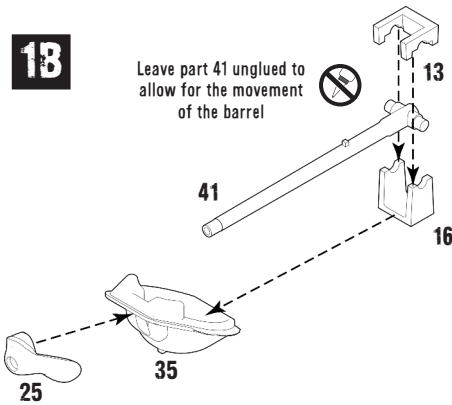
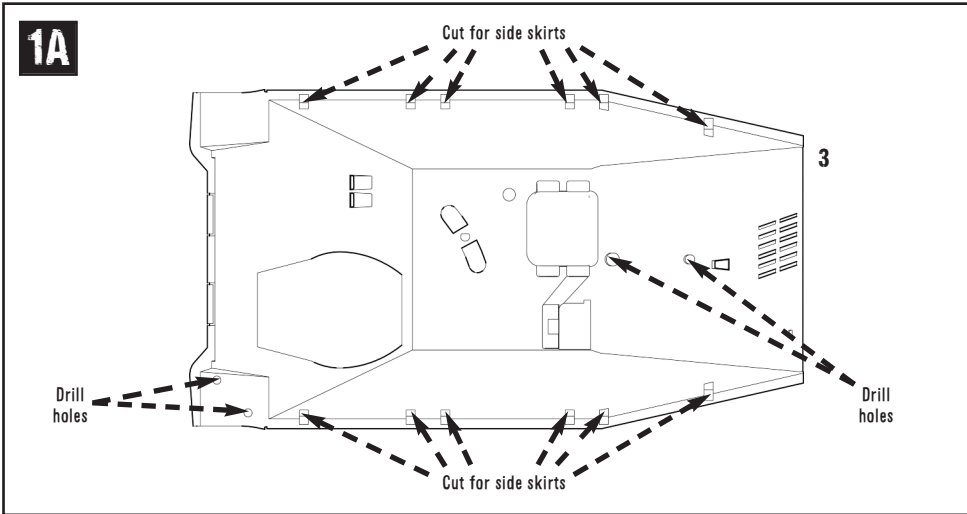




**?** Place the spare track segments (part 29) in the holes drilled in step I.

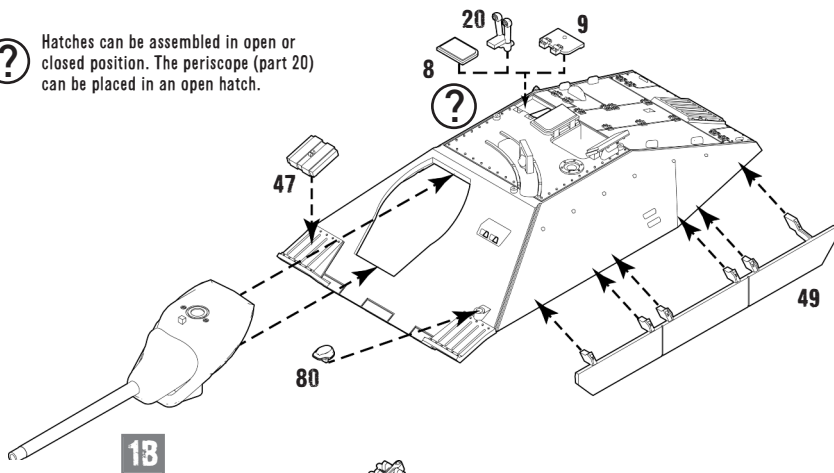
# 1 JADGPANZER 38(T) HETZER

Follow stages 1A to 1G to complete your model.

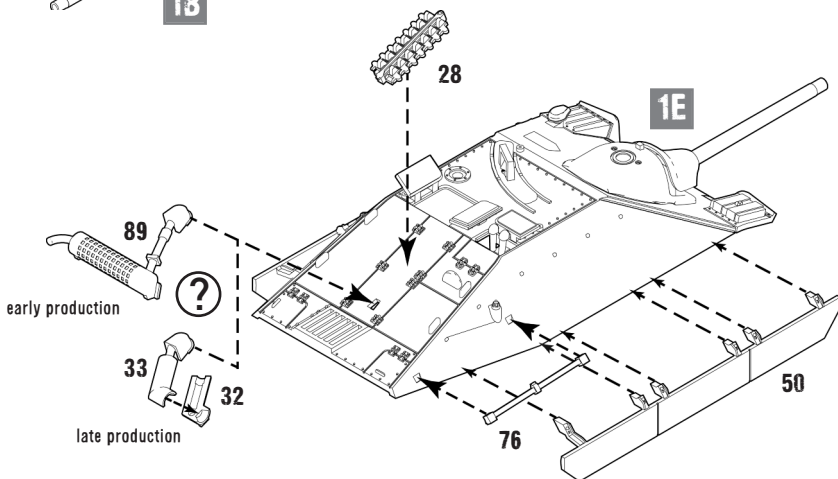


# 1E

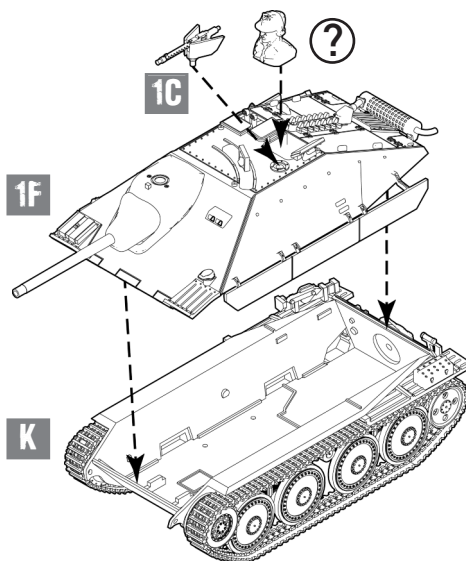
**?** Hatches can be assembled in open or closed position. The periscope (part 20) can be placed in an open hatch.



# 1F



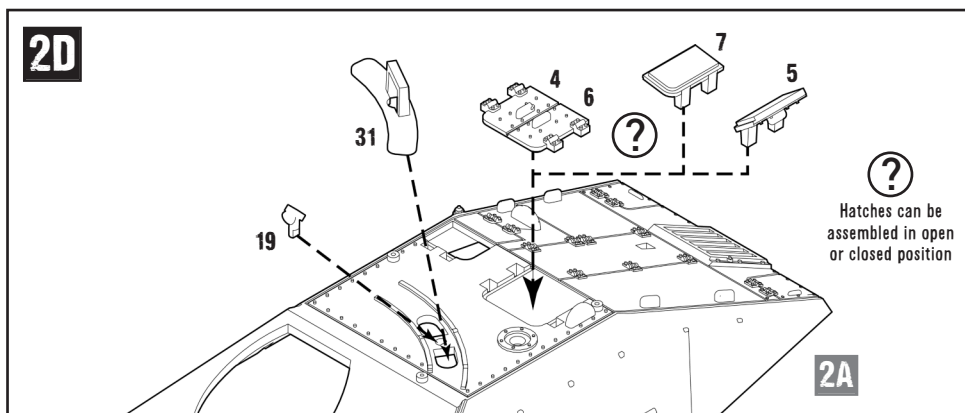
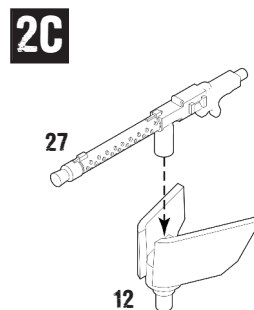
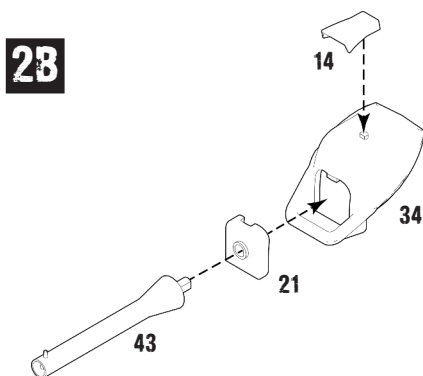
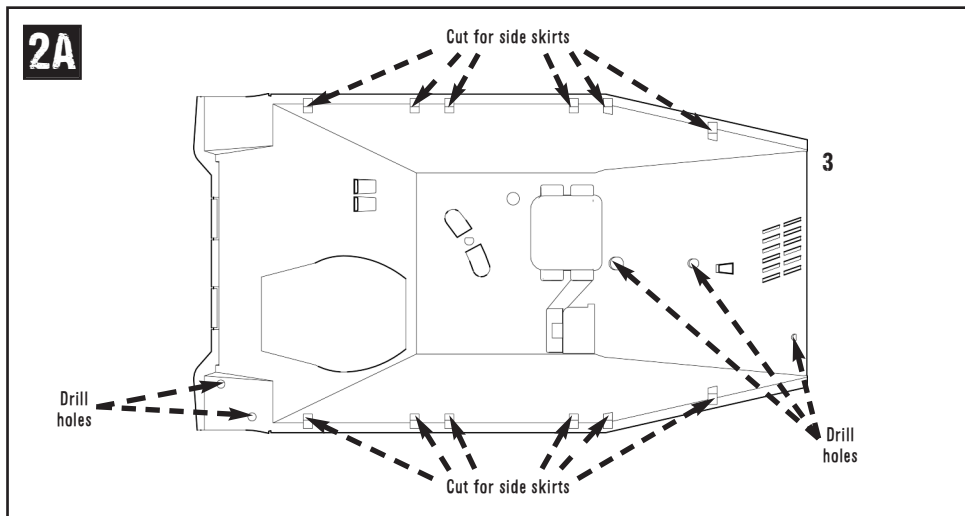
# 1G



Tank commander can be placed in an open hatch. Alternative commanders and crew are available from the Warlord Games web store: [www.warlordgames.com](http://www.warlordgames.com)

# 2 FLAMMPANZER 38(T) HETZER

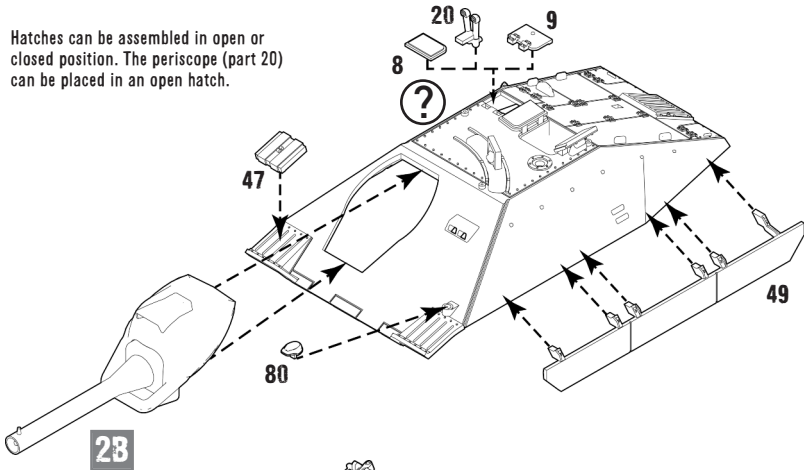
Follow stages 2A to 2G to complete your model.



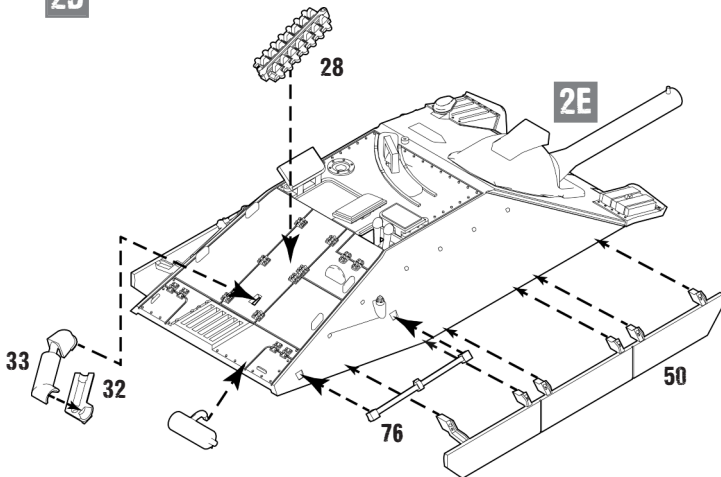
**2E**



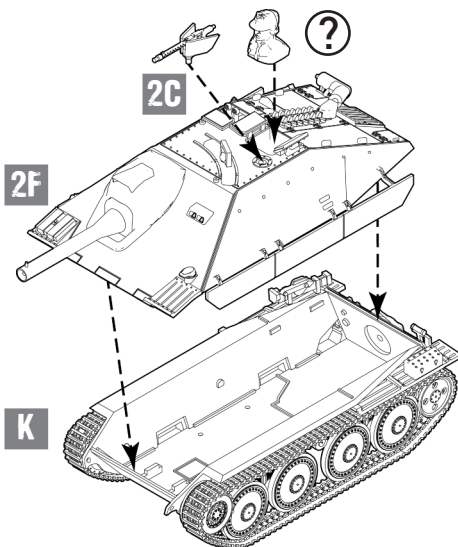
Hatches can be assembled in open or closed position. The periscope (part 20) can be placed in an open hatch.



**2F**



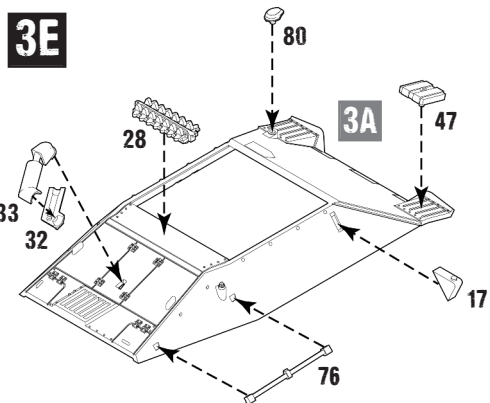
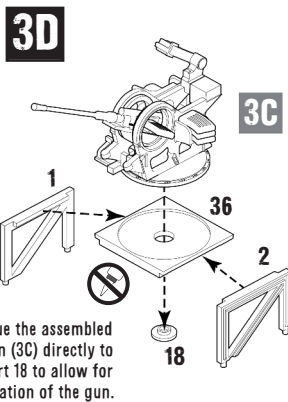
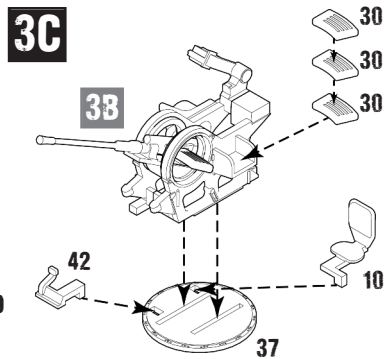
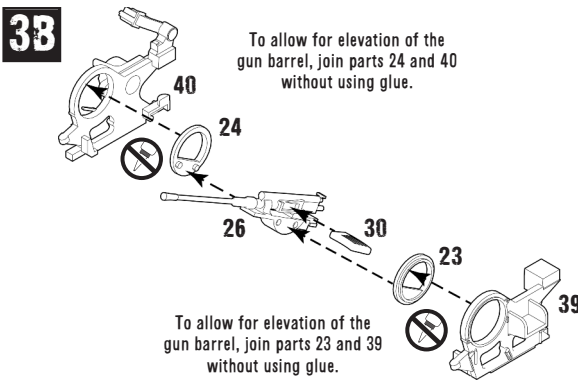
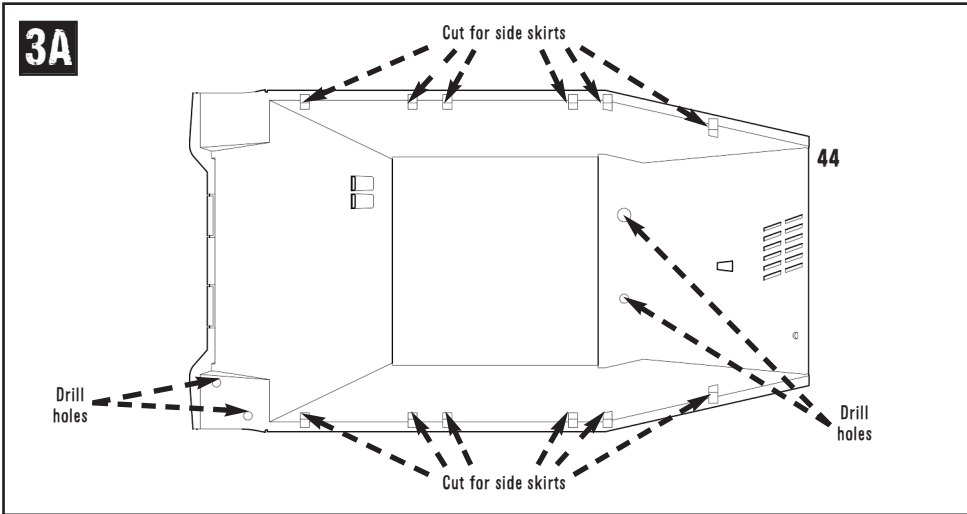
**2G**

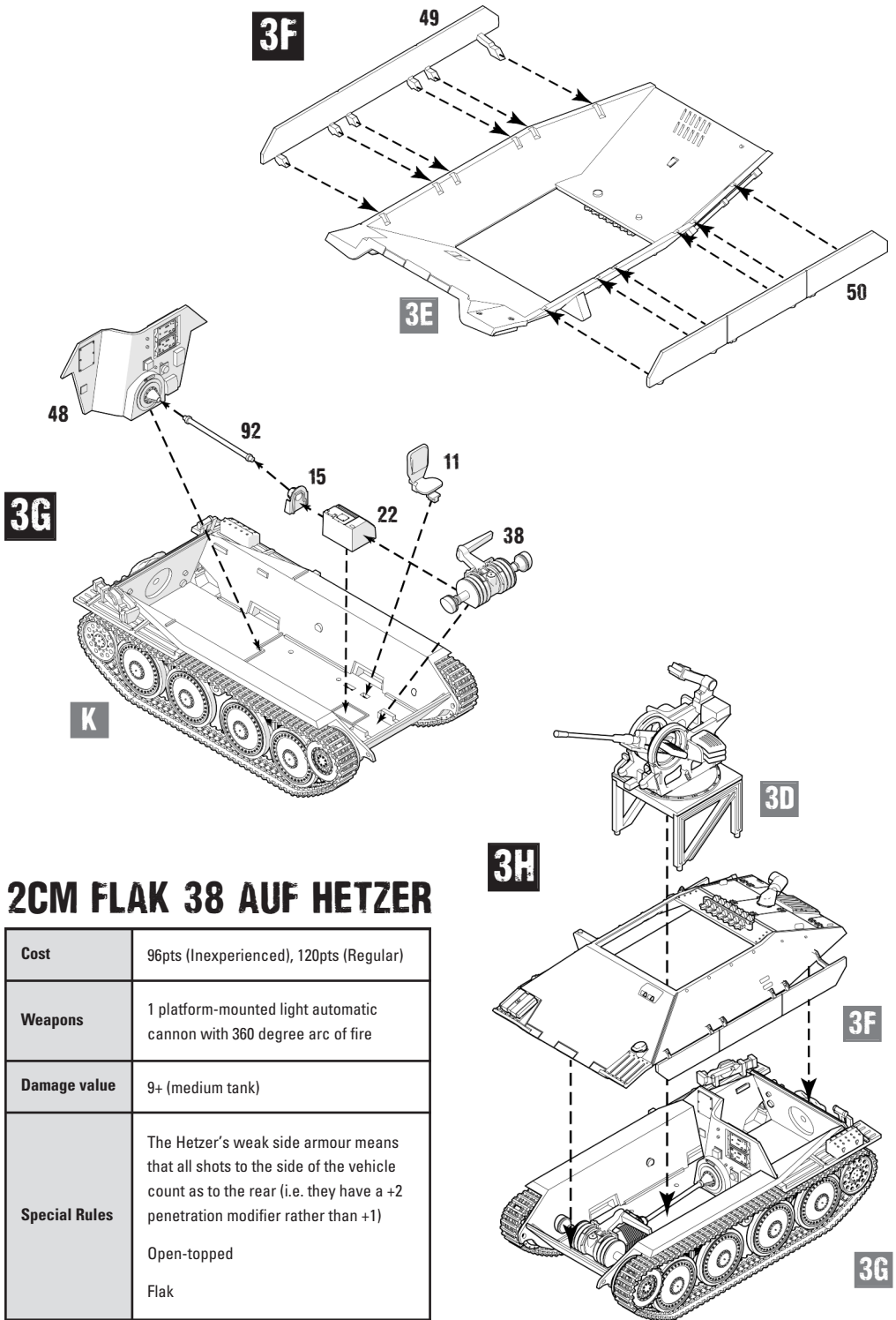


Tank commander can be placed in an open hatch. Alternative commanders and crew are available from the Warlord Games web store: [www.warlordgames.com](http://www.warlordgames.com)

# 3 2CM FLAK 38 AUF HETZER

Follow stages 3A to 3H to complete your model.



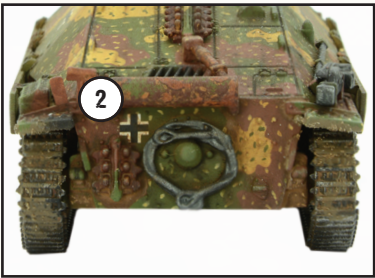





## 2CM FLAK 38 AUF HETZER

<b>Cost</b>	96pts (Inexperienced), 120pts (Regular)
<b>Weapons</b>	1 platform-mounted light automatic cannon with 360 degree arc of fire
<b>Damage value</b>	9+ (medium tank)
<b>Special Rules</b>	<p>The Hetzer's weak side armour means that all shots to the side of the vehicle count as to the rear (i.e. they have a +2 penetration modifier rather than +1)</p> <p>Open-topped</p> <p>Flak</p>



Mid-production Hetzer,  
Halloville, France 1944

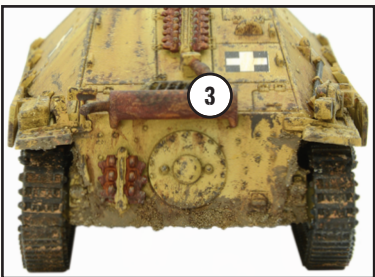


-  Army Painter Desert Yellow
-  894 Camo Olive Green
-  984 Flat Brown

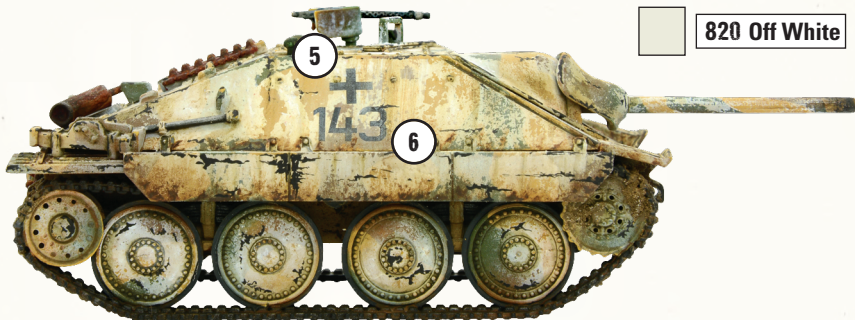



Royal Hungarian Army,  
25th Recon Battalion,  
Hungary 1945

-  Army Painter Desert Yellow





Gebirgs-Panzerjager-Abteilung 95,  
Gebirgsdivision, Czech, January 1945





-  Army Painter Desert Yellow
-  894 Camo Olive Green
-  820 Off White

Flammpanzer 38(t) flamethrower tank,  
352nd Panzer-Flamm-Kompanie,  
Army Group G, Belgium







- MIX PAINTS:**
- 60%  Army Painter Desert Yellow
  - 40%  Army Painter Skeleton Bone

-  348 Splinter Strips
-  984 Flat Brown

2cm FlaK 38 auf Hetzer  
reconnaissance anti-aircraft vehicle



- MIX PAINTS:**
- 40%  Army Painter Desert Yellow
  - 60%  Army Painter Skeleton Bone

-  348 Splinter Strips
-  984 Flat Brown