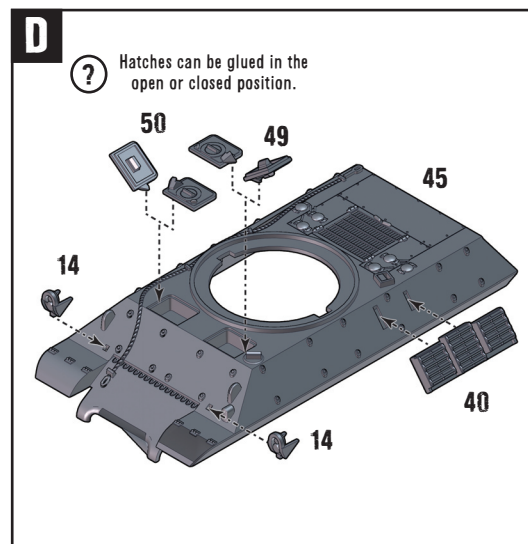
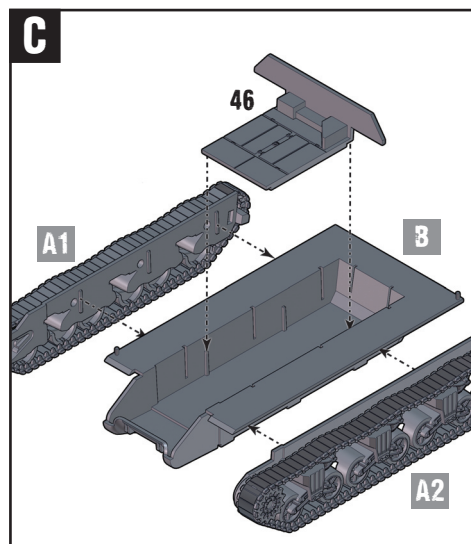
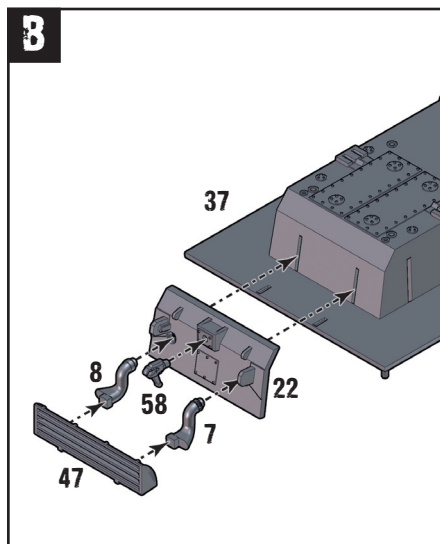
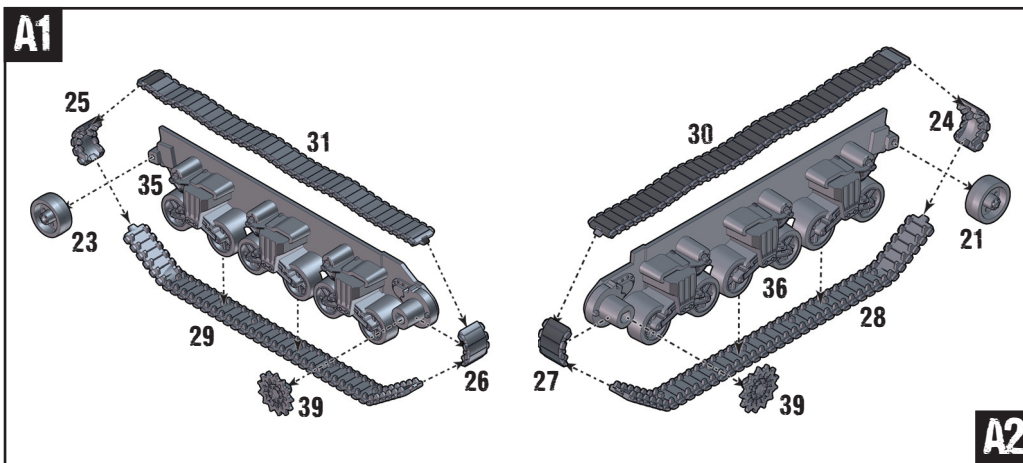
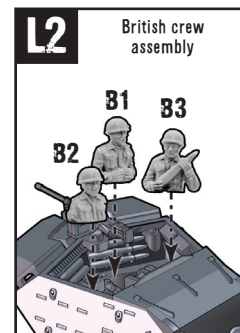
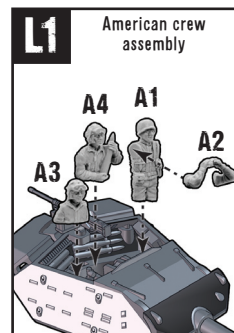
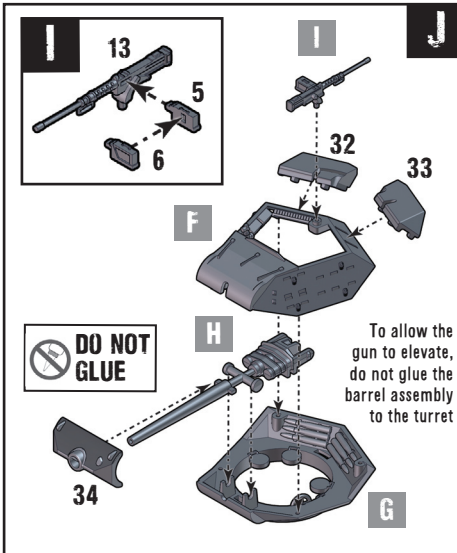
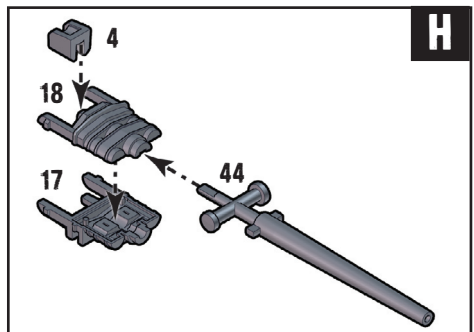
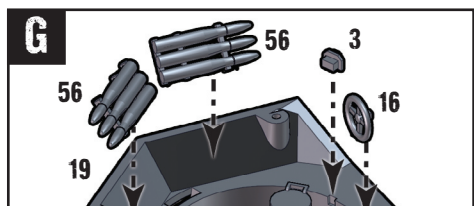
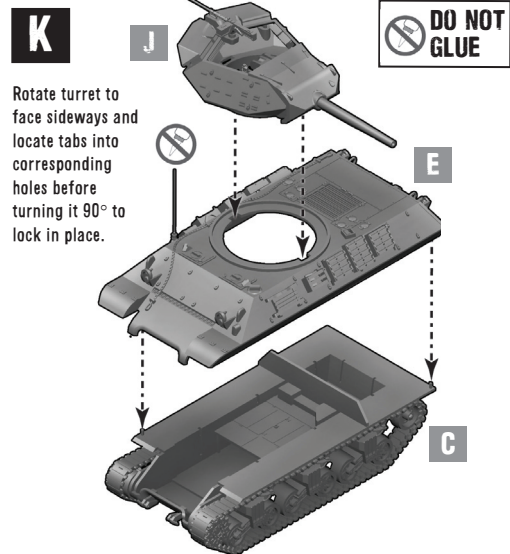
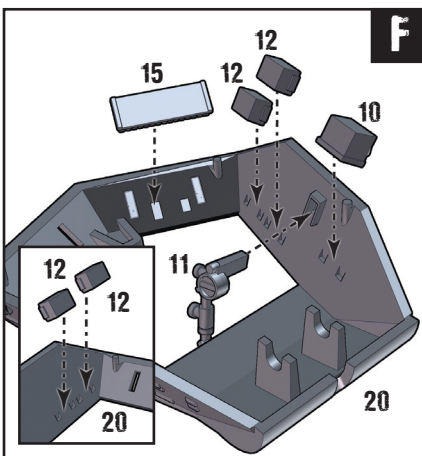
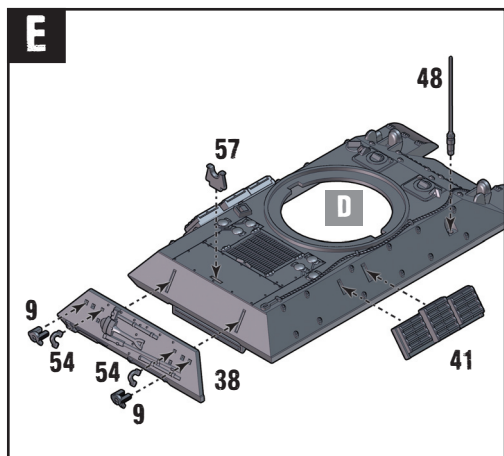




# M10 WOLVERINE TANK DESTROYER

Follow these simple instructions to build your tank destroyer. Where a question mark symbol (?) is shown there are choices for you to make in terms of which optional parts you wish to use.





Plastic produced by

