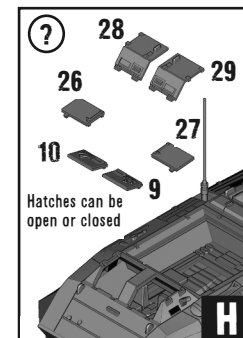
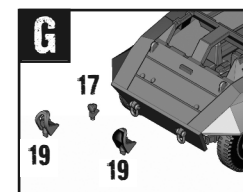
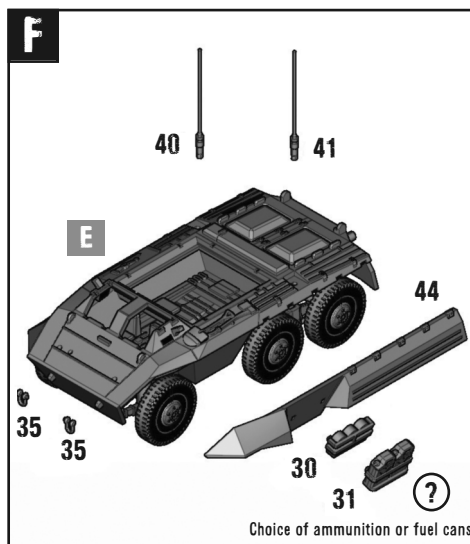
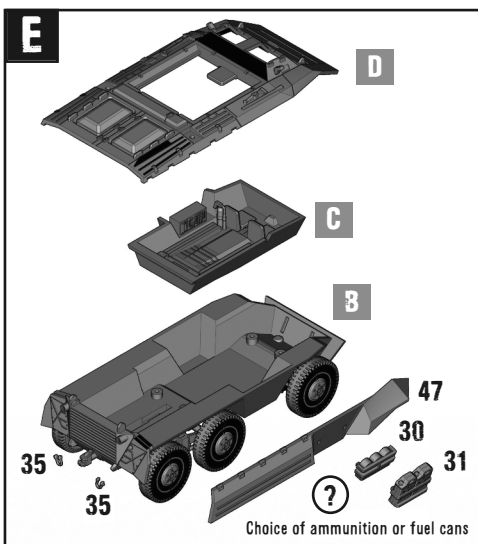
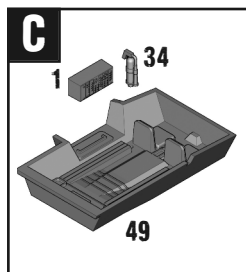
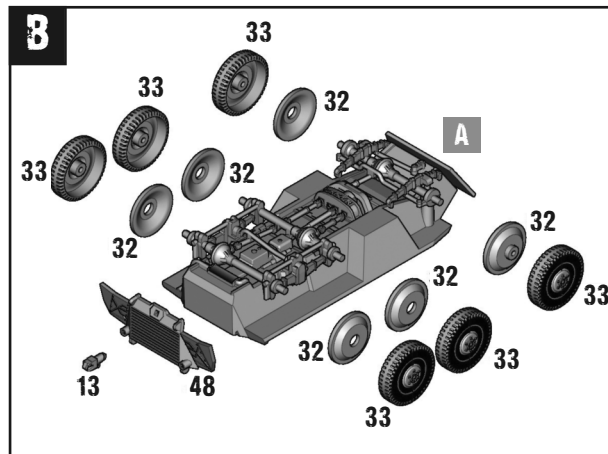
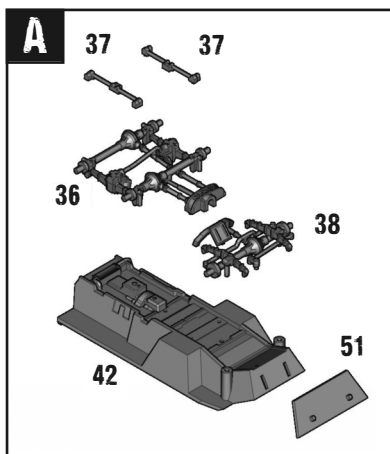
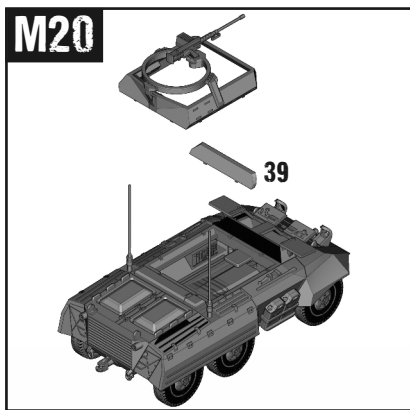
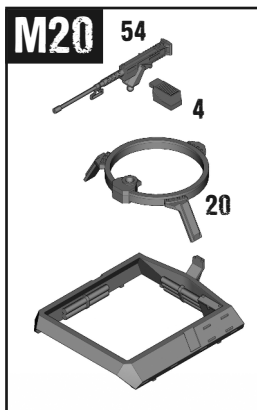
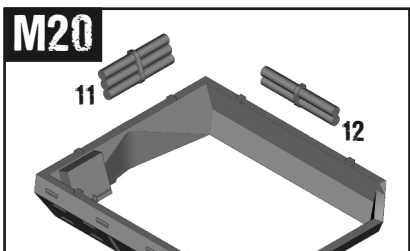
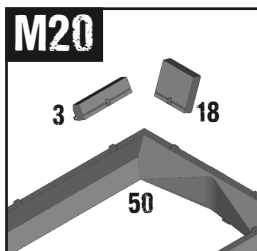




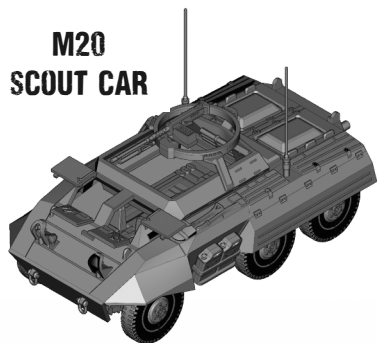
# M8/M20 GREYHOUND ARMOURED CAR

Follow these simple instructions to build your reconnaissance vehicle. Where a question mark symbol (?) is shown there are choices for you to make in terms of which optional parts you wish to use.

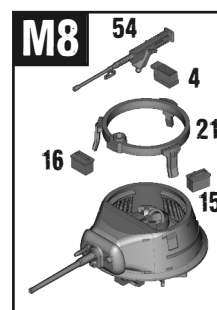
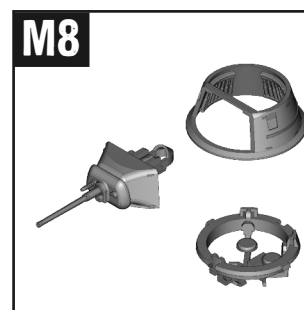
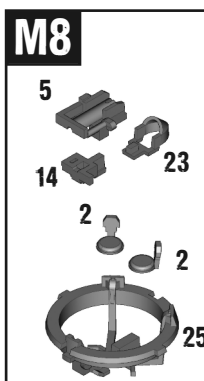
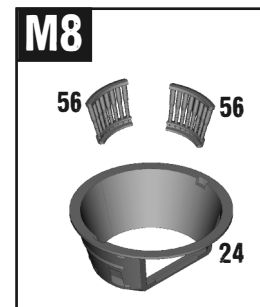
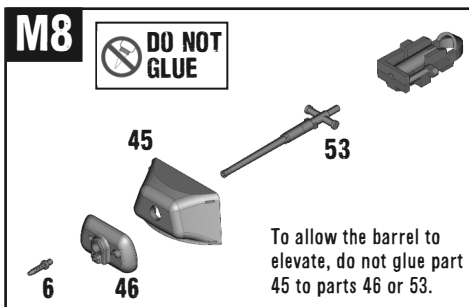




**M20  
SCOUT CAR**



Plastic produced by



**M8 GREYHOUND  
ARMoured CAR**

