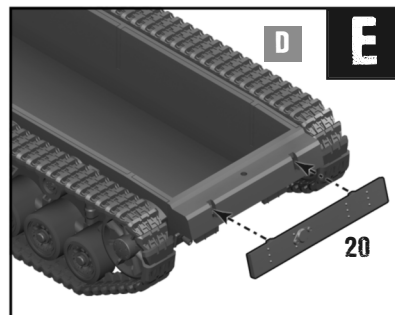
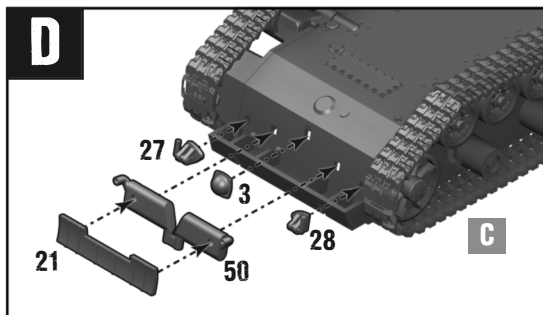
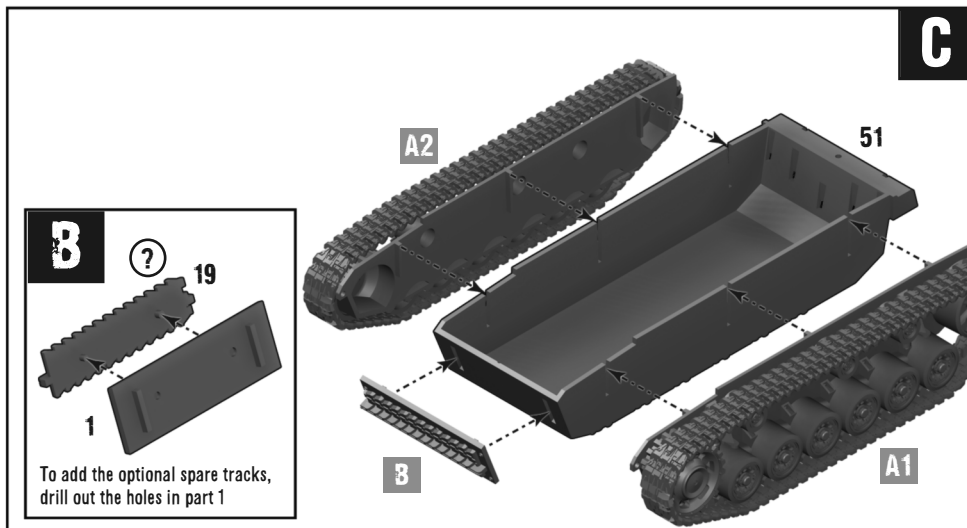
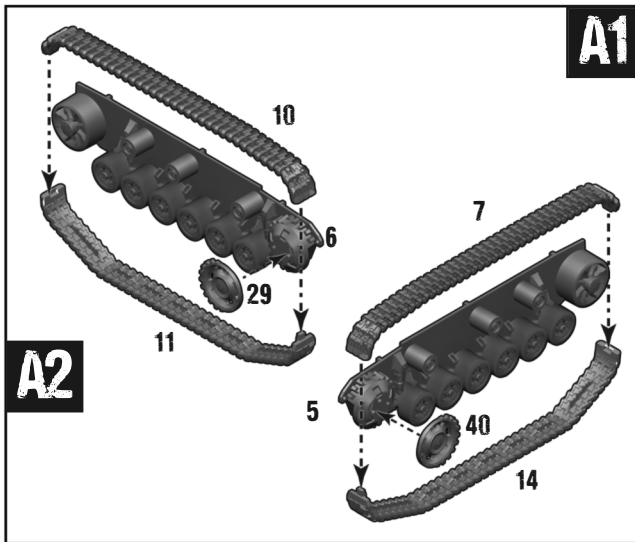




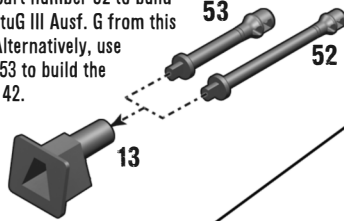
STUG III AUSF G

Follow these simple instructions to build your plastic StuG or StuH assault gun. We highly recommend doing a dry run at each stage before applying glue.



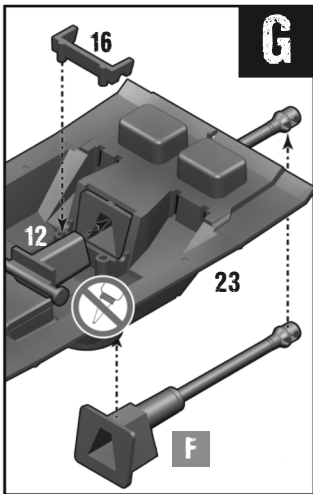
F

Use part number 52 to build the StuG III Ausf. G from this kit. Alternatively, use part 53 to build the StuH 42.



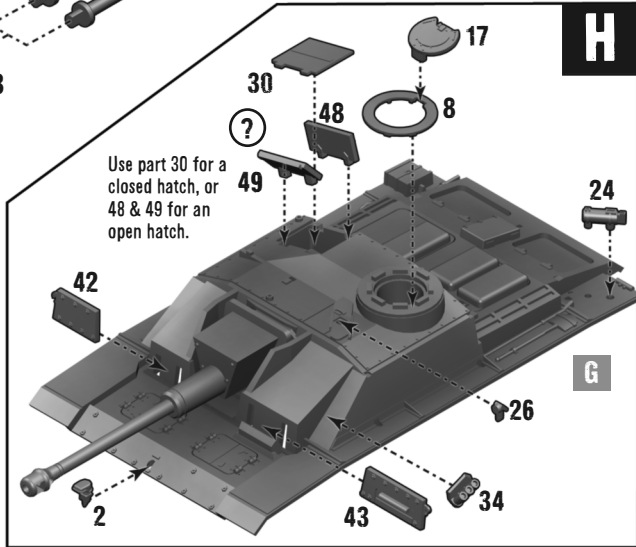
DO NOT GLUE

To allow the barrel to elevate, do not glue part 12 to parts 23 and 16.

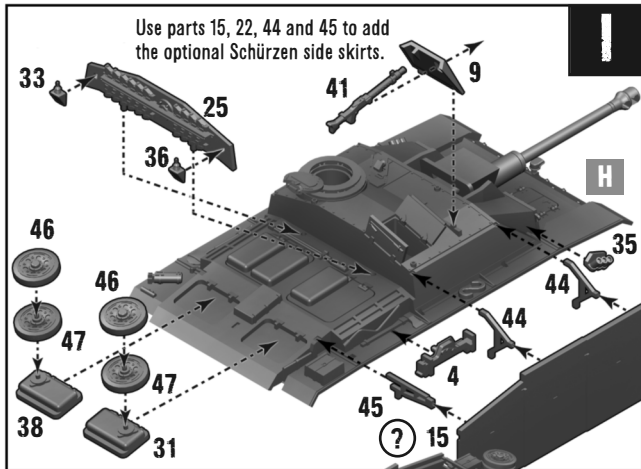


H

Use part 30 for a closed hatch, or 48 & 49 for an open hatch.



Use parts 15, 22, 44 and 45 to add the optional Schürzen side skirts.



Plastic produced by

