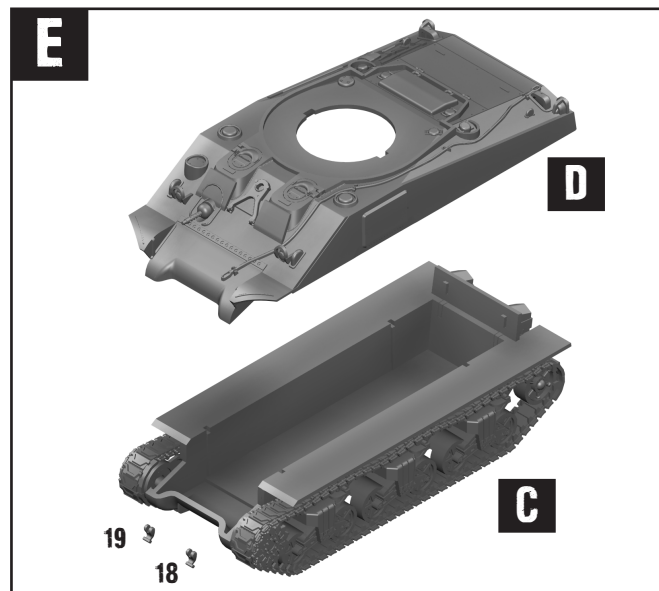
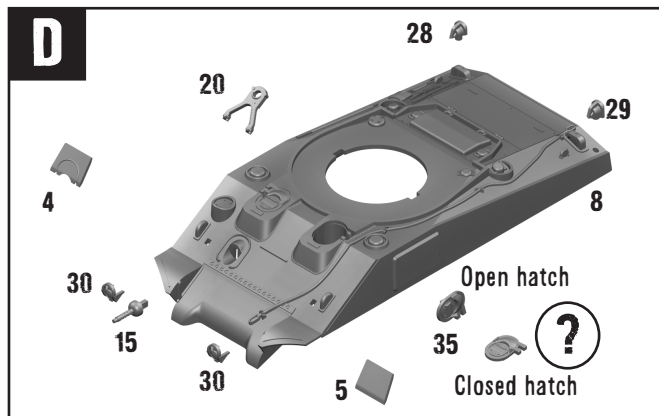
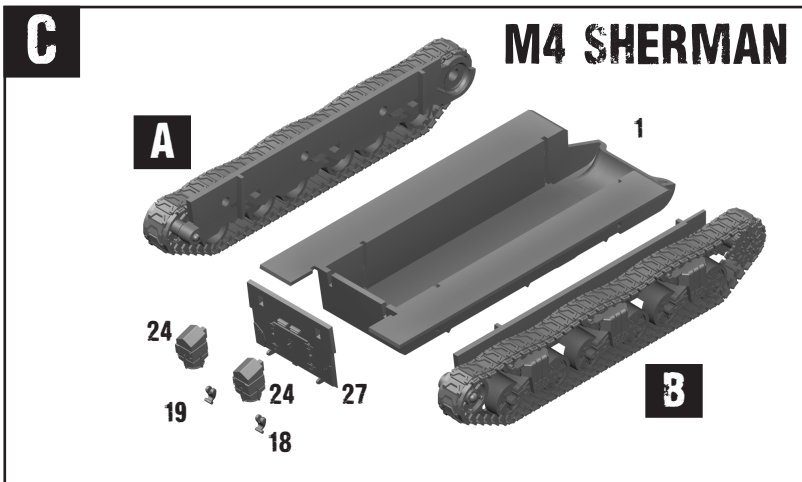
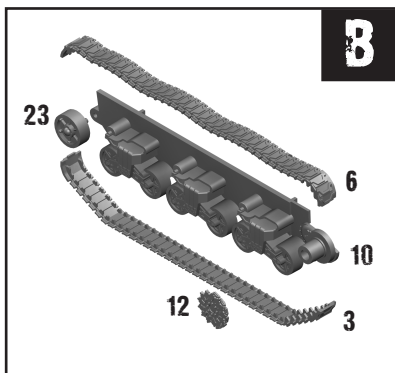
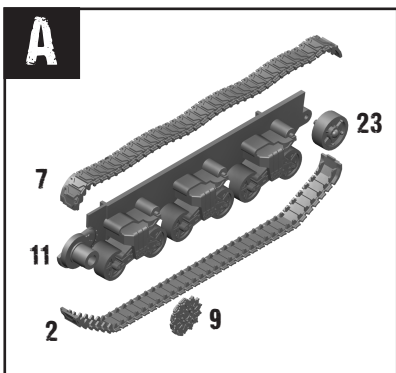




Follow these simple instructions to build your plastic Sherman tank. Where a question mark symbol (?) is shown there are choices for you to make in terms of how you want your model to look.



F

21 22 21 22 13 14

Closed hatches

Remove pins from ends - these are only used for open hatches.

Open hatches

34

G

Do not glue part 25 to part 31 if you wish to have the gun barrel elevate - glue 31 directly to part 26 instead.

25 31 32 16 17 33

H

G

Rotate turret to face sideways and locate tabs into corresponding holes before turning it 90° to lock in place.

E

WARLORD GAMES
warlordgames.com

Plastic produced by
ITALERI