



# T-34/85 MEDIUM TANK

## ASSEMBLY AND PAINTING GUIDE



The T-34 series, with its sloping armour, changed the principles of tank design during the war. The angular layout of the T-34 increased the effective armour thickness, and also saw a larger proportion of shells deflected away than penetrated its armour. The introduction of the T-34 into action saw German tank design follow suit with similarly angled armour on the likes of the Panther and King Tiger. As German tank design came to the fore, the Soviet war machine once again raised the bar with the T-34/85.

The T-34/85, the very symbol of Soviet military strength in the Second World War, had a new turret to house the more powerful 85mm ZiS gun. A supremely rugged and reliable tank, the T-34/85 had excellent off-road capability, especially in the marshland or snow of the Eastern Front, and was easy for the crew to operate and maintain.









The T-34/85's great strength lay in its adaptation of the T-34/76 tank design which preceded it. This ensured a far smoother and faster production line than would have been the case with a completely new design. Another major advantage of the relatively simple design is the sheer number of tanks

the Soviet tank factories could produce – by the summer of 1944 the Soviet war machine could produce more T-34/85s in a month than the Germans had Panther tanks in the whole of the Eastern Front! With over 21,000 of the 57,000 T-34s built during WWII being T-34/85s, the Russian credo was clearly one of quantity over quality, although it was an unwise Panzer commander who discounted the ability of the T-34/85.

No. produced:	23,661 (210 as OT-34/85)
Crew:	5
Powerplant:	V12 Diesel GAZ (500 hp)
Top speed:	38 kph (26 mph)
Range:	185 km (114 mi)
Armament:	ZiS-S-53 85mm gun 2 DT7.62mm machine guns
Armour:	30-80 mm
Weight:	30 tonnes

**WARLORD**  
GAMES  
warlordgames.com

## ASSEMBLY GUIDE KEY

 Assembly stage	 Do Not Glue.	<b>22</b> Part number
 Previous assembly stage	 Special assembly instructions	 Decal number
 Optional assembly	 Drill part	 Paint number (Vallejo)

Follow this simple guide to building your T-34/85 medium tank or OT-34/85 medium flamethrower tank.

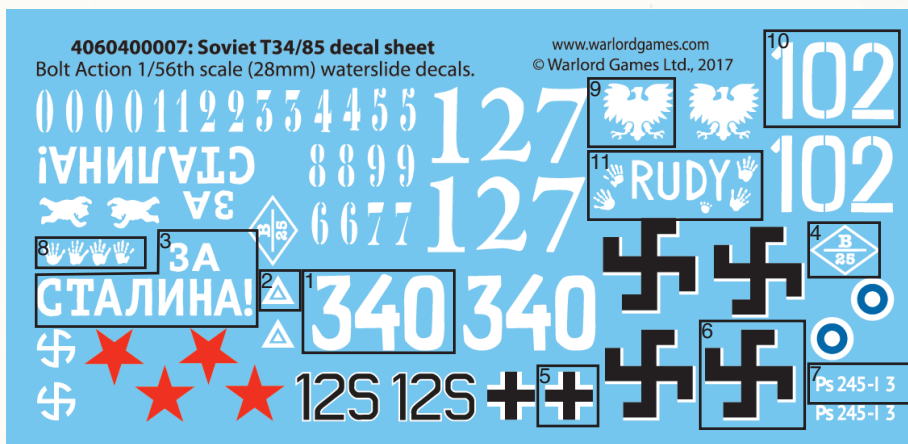
Carefully remove each component from the frame with clippers or a craft knife. Trim off excess plastic before assembling. Test fit all parts before applying glue.

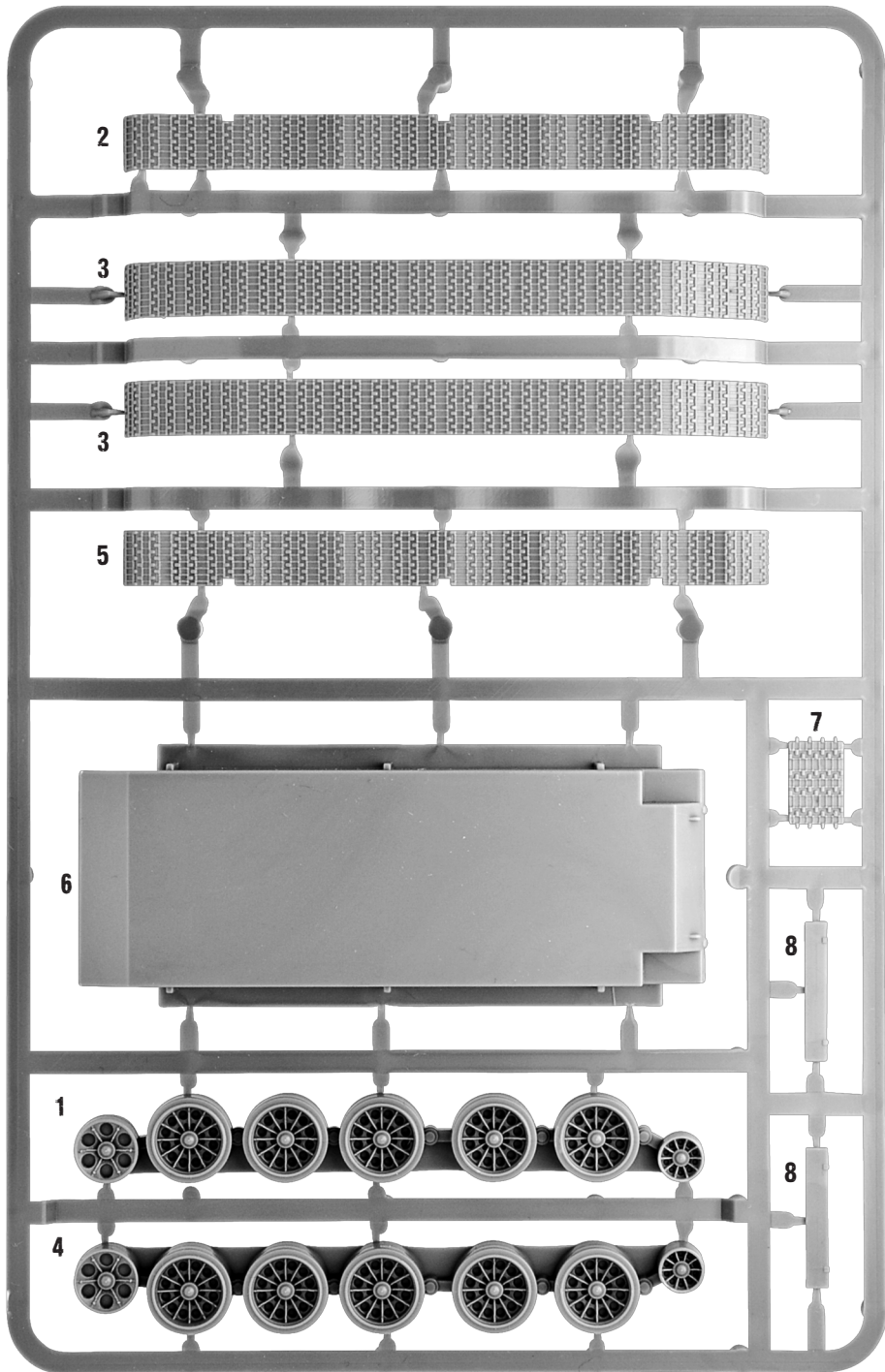
We recommend using polystyrene cement to assemble the kit, and to use this in a well-ventilated area.

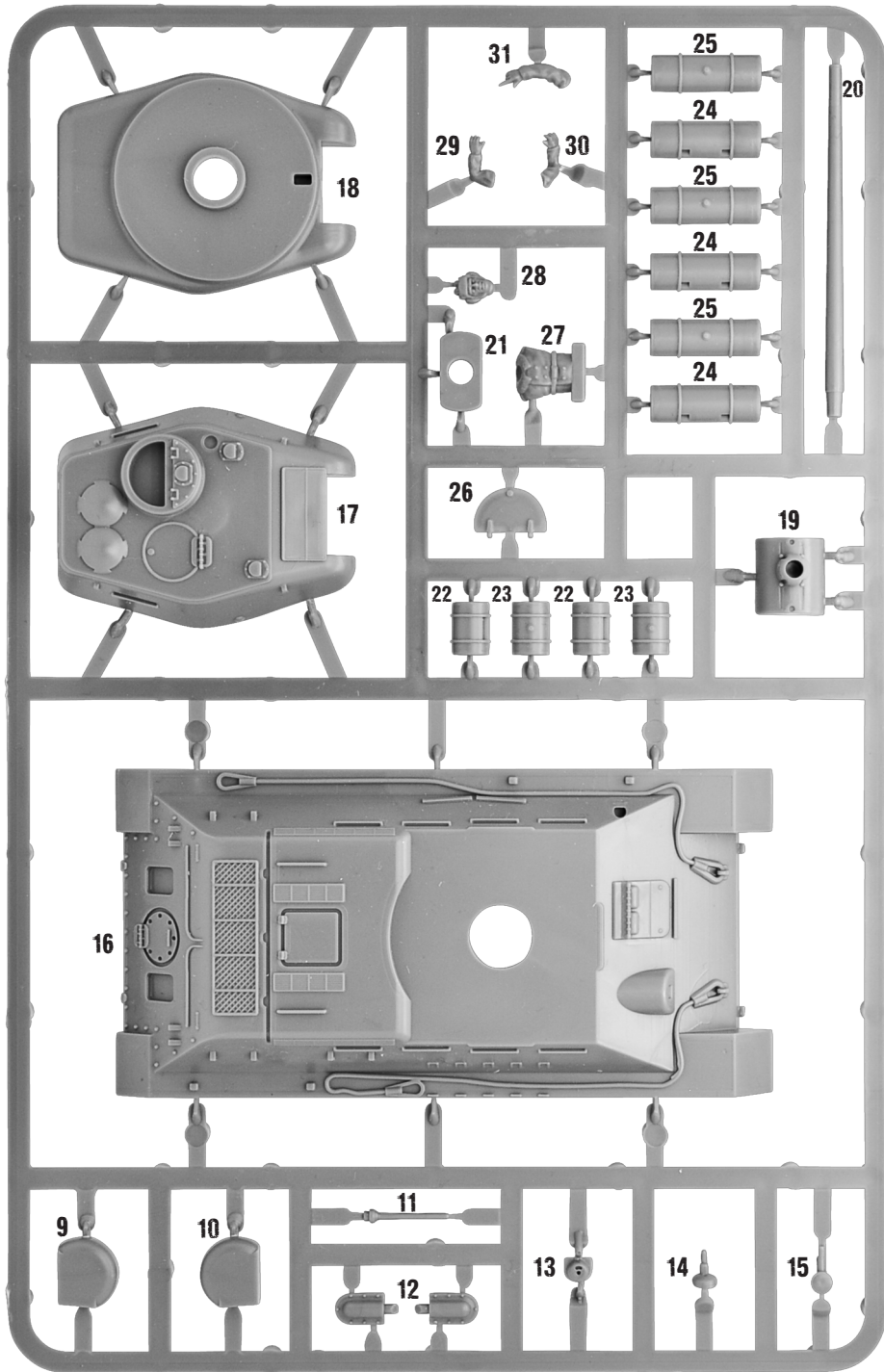
Keep tools, glues, paints and small components away from children. Warlord Games recommend this kit for ages 14 and over.

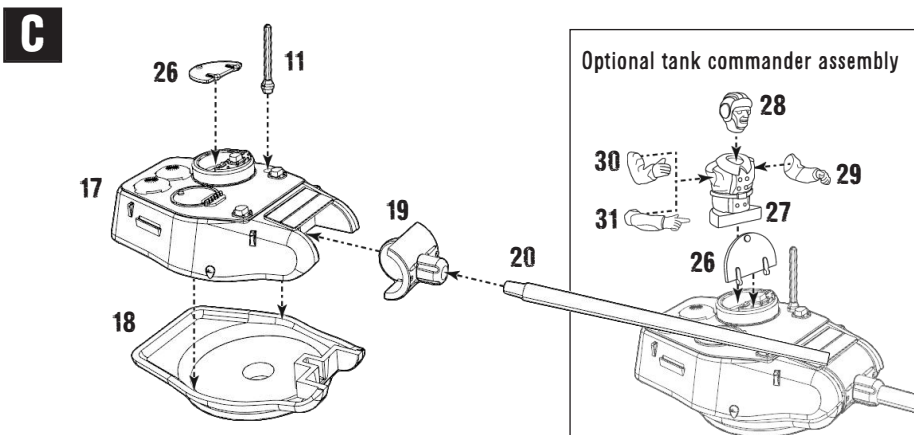
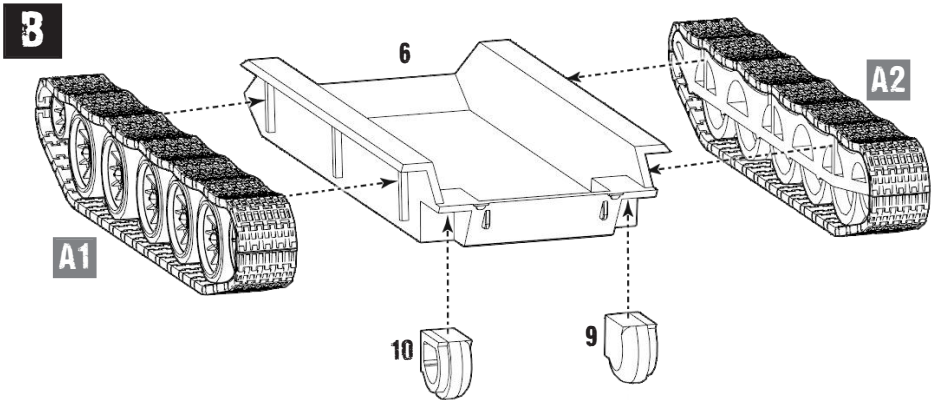
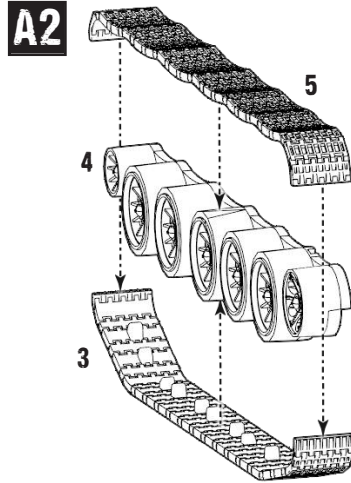
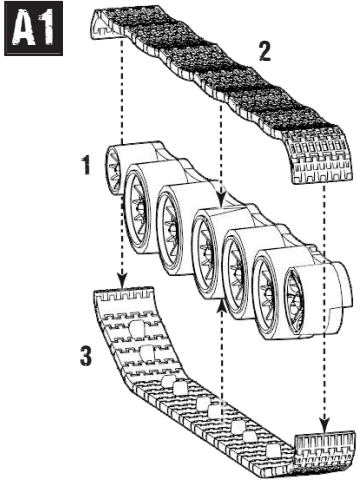
## DECAL APPLICATION GUIDE

- Apply a coat of gloss varnish to the areas that will receive the decal and allow this to dry fully.
- Cut out a decal from the sheet and soak it in luke warm water for 2-3 minutes.
- Once the design has started to separate from the backing paper, use tweezers or a wet paintbrush to slide the design into place on the model.
- Use a tissue to dab away any excess water from the model, and allow to dry.
- Apply a coat of matt varnish to seal the decal in place.

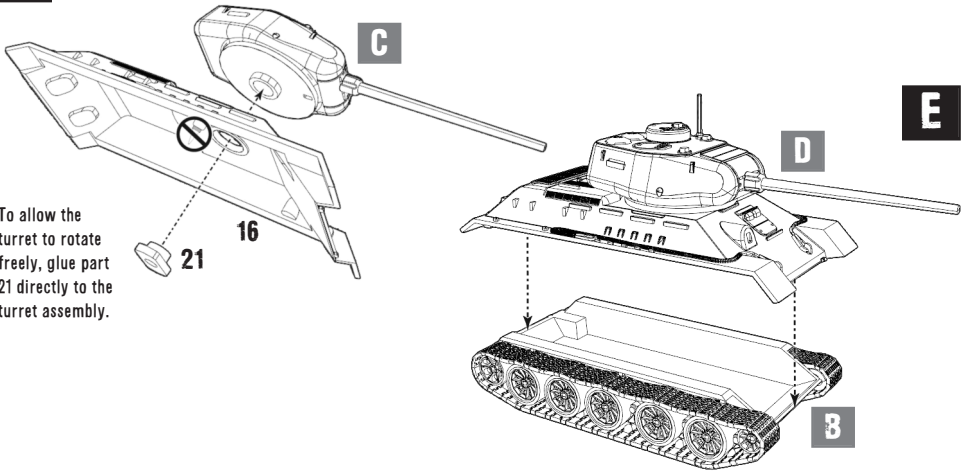








**D**

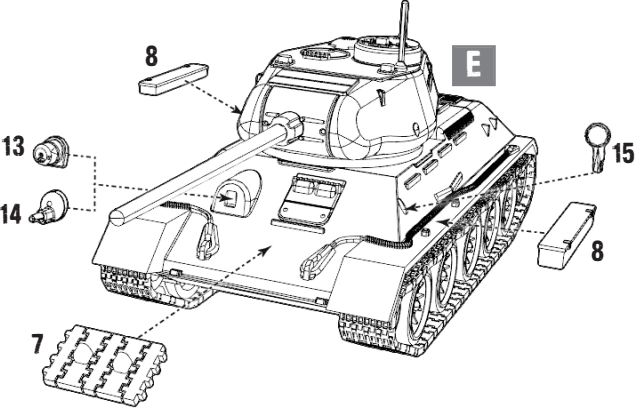


To allow the turret to rotate freely, glue part 21 directly to the turret assembly.

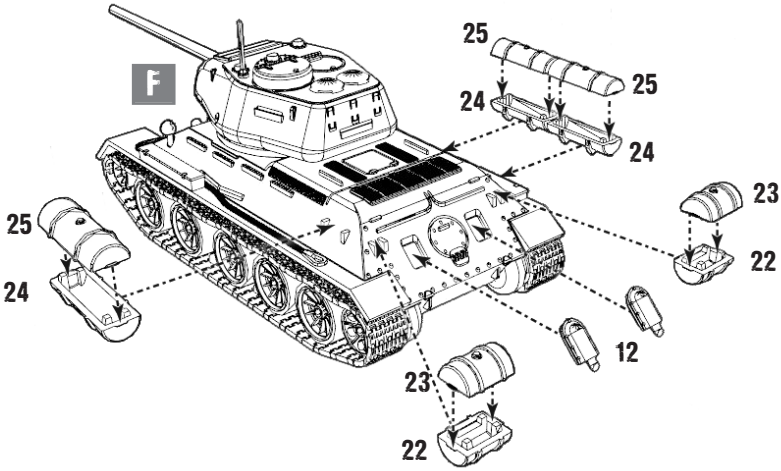
**F**

Use the flame thrower nozzle (part 13) to build an OT-34/85 flame thrower tank

Use the hull machine-gun (part 14) to build a T-34/85 medium tank.



**G**




T-34/85 medium tank in standard  
Soviet Army colour scheme



 888 Olive Grey

OT-34 flamethrowing variant  
in whitewashed winter colour scheme



 888 Olive Grey

 820 Off White

German variant  
in three-colour camouflage,  
unidentified unit, 1944

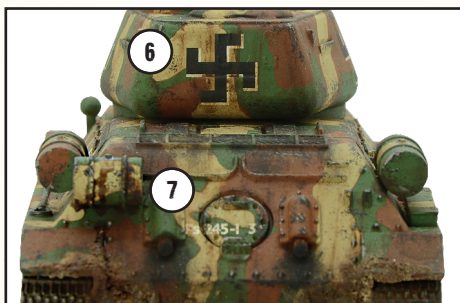
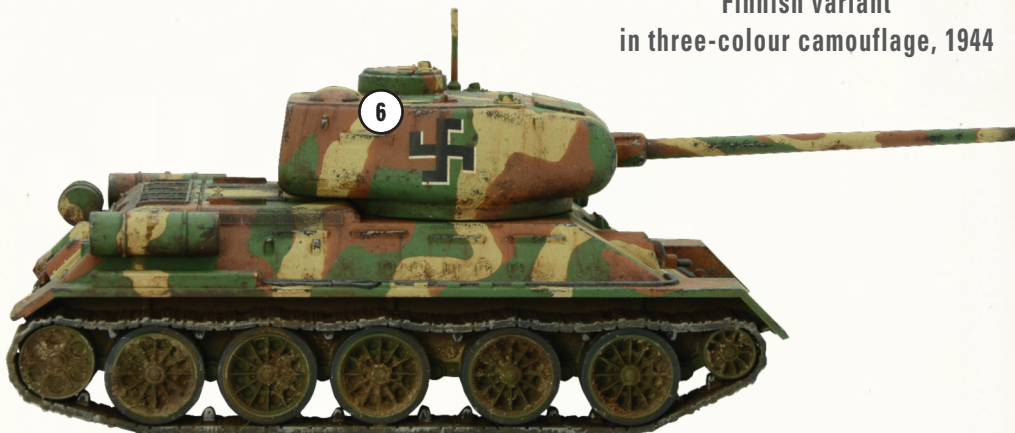


 Army Painter  
Desert Yellow

 894 Camo  
Olive Green

 984 Flat Brown

Finnish variant  
in three-colour camouflage, 1944



MIX PAINTS:

60%  Army Painter Desert Yellow

40%  Army Painter Skeleton Bone

 894 Camo Olive Green

 984 Flat Brown

Polish variant inspired by TV series  
*Cztery pancerni i pies*  
(*Four tank-men and a dog*)



 888 Olive Grey