



KV-1/KV-2

ASSEMBLY AND PAINTING GUIDE



The KV-series tanks were a fearsome and formidable weapon during most of the Second World War. At the onset of the German invasion of the Soviet Union, around 500 KV-1 heavy tanks were built. Outclassing every other tank in operational service, it came as something of a rude awakening for the rampant German panzer divisions. As a result some of the battles against numerically superior Axis forces became almost legendary.

The KV-1 had serious advantages over its German counterparts – foremost amongst these was its armour being impenetrable by any tank-mounted weapon at the time unless fired at point-blank range. It had good firepower with a 76.2mm main gun in addition to hull and turret-mounted machine guns. Unusually for a heavy tank it also had good traction on soft ground.




The KV-2 outweighed most other tanks of the era especially armed with its 152mm howitzer, making it

twice as heavy as the heaviest contemporary German tank. Due to the size of its heavy turret and gun, the KV-2 was slower and had a much higher profile than the KV-1. Those captured and fielded by the German Army were known as (*Sturm*)*Panzerkampfwagen KV-II 754(r)* and were found to be useful for artillery observation due to their height.

No. produced:	KV-1: 2,507	KV-2: 334
Crew:	KV-1: 5	KV-2: 6
Powerplant:	KV-1: Model V-2 V12 Diesel (600 hp) KV-2: V2-K-12 cylinder diesel (550 hp)	
Top speed:	KV-1: 35 kph	KV-2: 334
Range:	KV-1: 335 km	KV-2:
Armament:	KV-1: 76.2 mm L-11 gun & 3 DT machine guns KV-2: 152 mm M-10T howitzer & 2 DT machine guns	
Armour:	KV-1: 70-90 mm	KV-2: 60-110 mm
Weight:	KV-1: 45 tonnes	KV-2: 52 tonnes

WARLORD[™]
GAMES
warlordgames.com

ASSEMBLY GUIDE KEY

A Assembly stage	 Do Not Glue.	22 Part number
A Previous assembly stage	 Special assembly instructions	3 Decal number
? Optional assembly	 Drill part	987 Paint number (Vallejo)

Follow this simple guide to building your KV-1/KV-2. This kit allows you to build complete turrets for both vehicles, so you can easily switch between the two when deciding which to take to battle.

Carefully remove each component from the frame with clippers or a craft knife. Trim off excess plastic before assembling. Test fit all parts before applying glue.

We recommend using polystyrene cement to assemble the kit, and to use this in a well-ventilated area.

Keep tools, glues, paints and small components away from children. Warlord Games recommend this kit for ages 14 and over.

Plastic produced by



406040002: Soviet KV-1/KV-2 decal sheet Bolt Action 1/56th scale (28mm) waterslide decals.



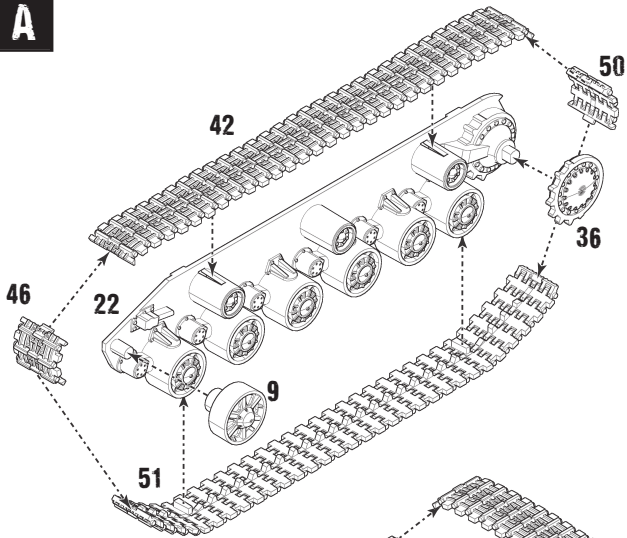
www.warlordgames.com

© Warlord Games Ltd., 2016

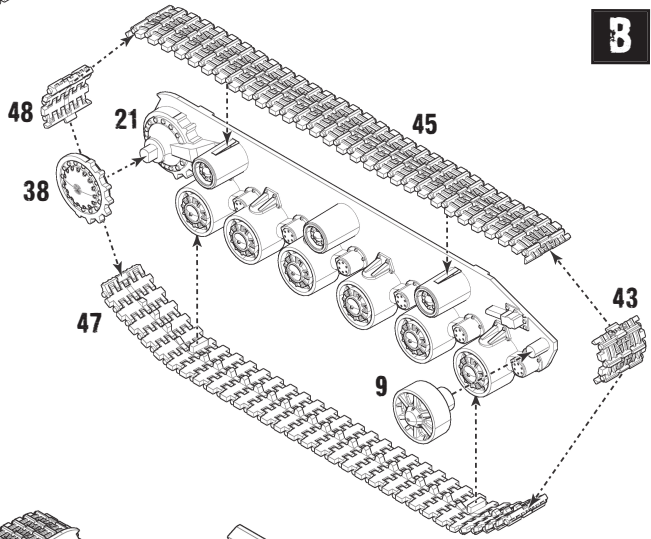
DECAL APPLICATION GUIDE

- Apply a coat of gloss varnish to the areas that will receive the decal and allow this to dry fully.
- Cut out a decal from the sheet and soak it in luke warm water for 2-3 minutes.
- Once the design has started to separate from the backing paper, use tweezers or a wet paintbrush to slide the design into place on the model.
- Use a tissue to dab away any excess water from the model, and allow to dry.
- Apply a coat of matt varnish to seal the decal in place.

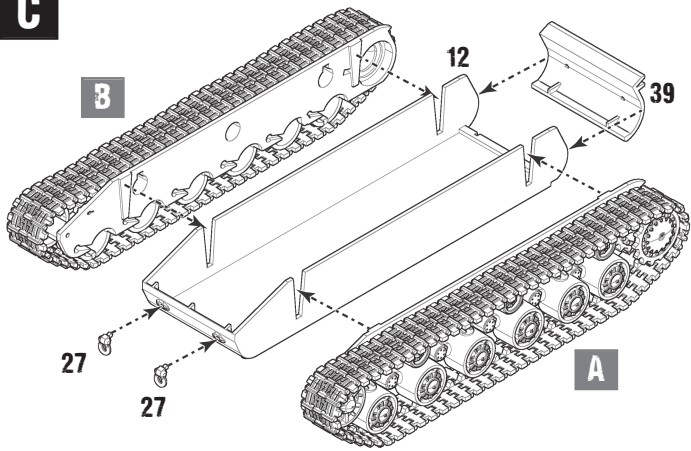
A



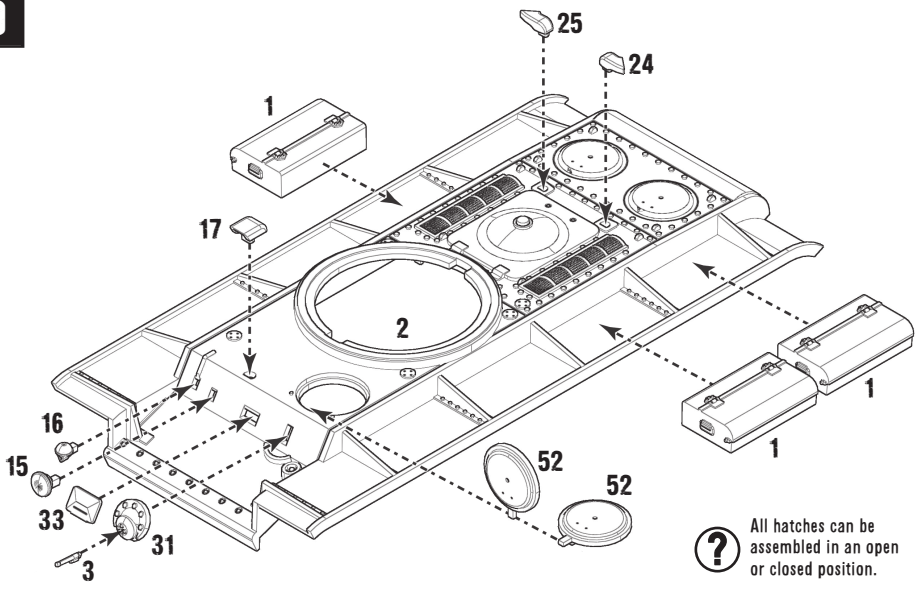
B



C

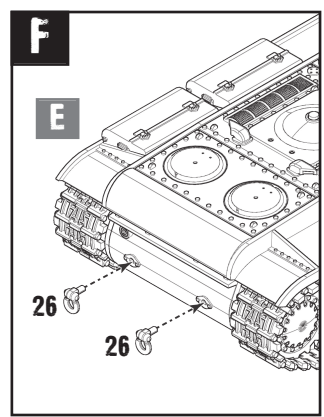
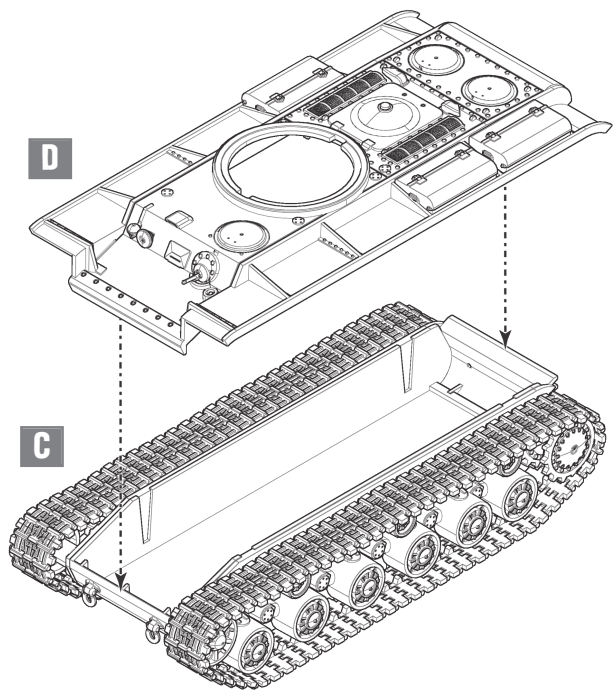


D



? All hatches can be assembled in an open or closed position.

E



F

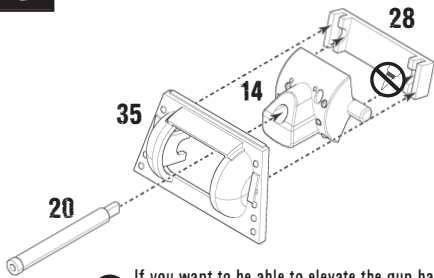
E


26

26

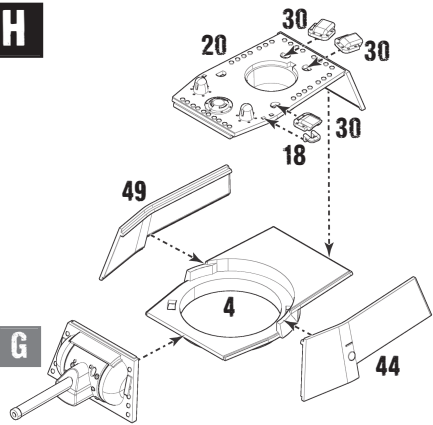
KV-1

G



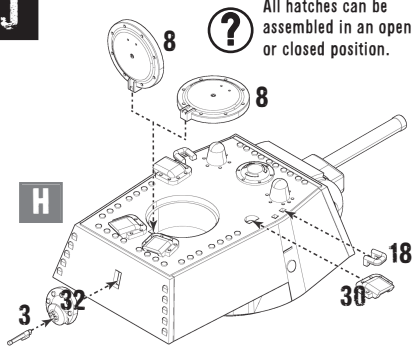
 If you want to be able to elevate the gun barrel glue it through part 35, and directly onto part 14. Do not glue part 14 to parts 35 or 28.


H



G

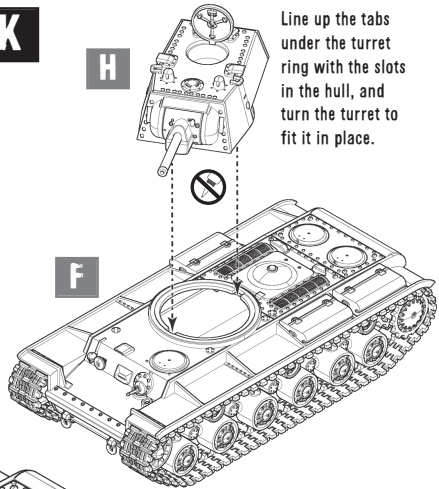
J



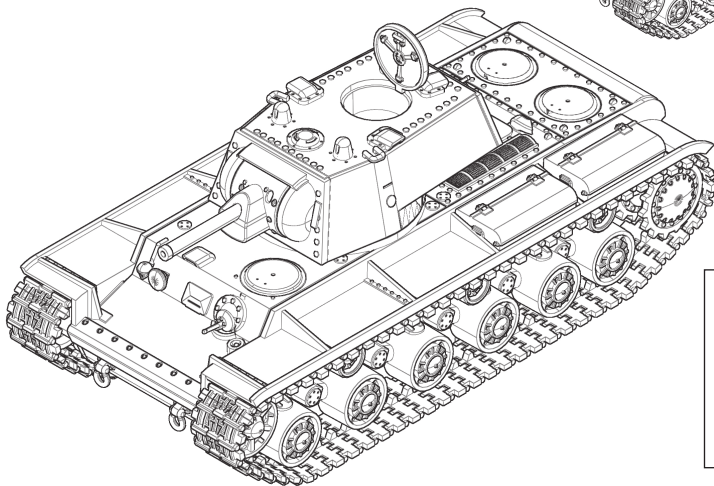
 All hatches can be assembled in an open or closed position.

H

K



Line up the tabs under the turret ring with the slots in the hull, and turn the turret to fit it in place.

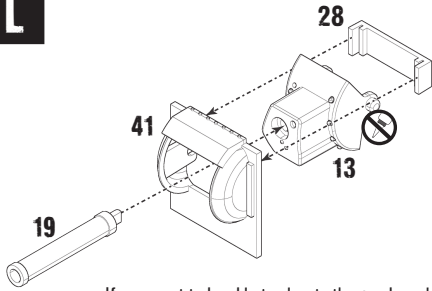


The Soviet tank commander can be placed in any of the open hatches, in either version of the tank.



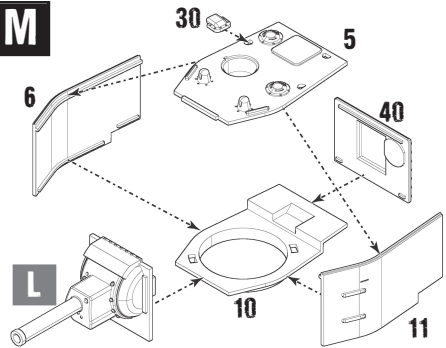
KV-2

L



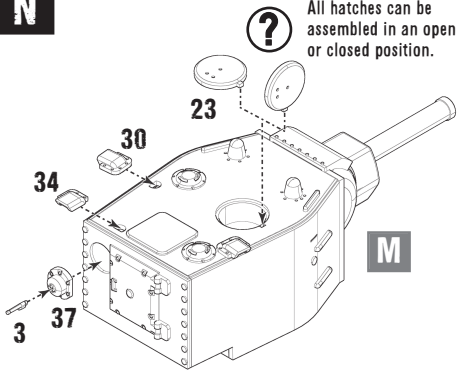
⊘ If you want to be able to elevate the gun barrel glue it through part 41, and directly onto part 13. Do not glue part 13 to parts 41 or 28.

M



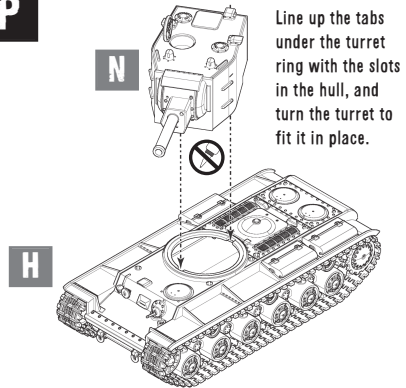
L

N



? All hatches can be assembled in an open or closed position.

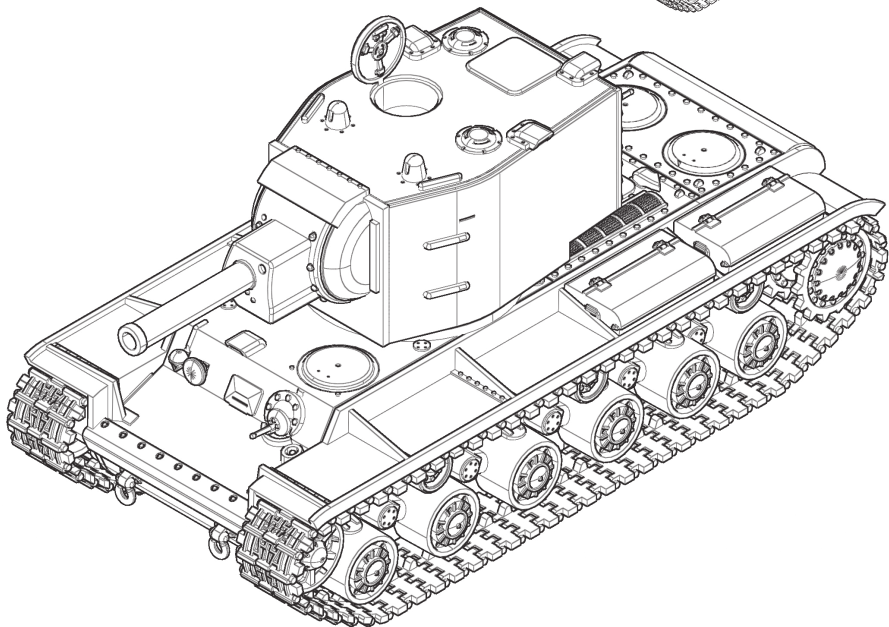
P

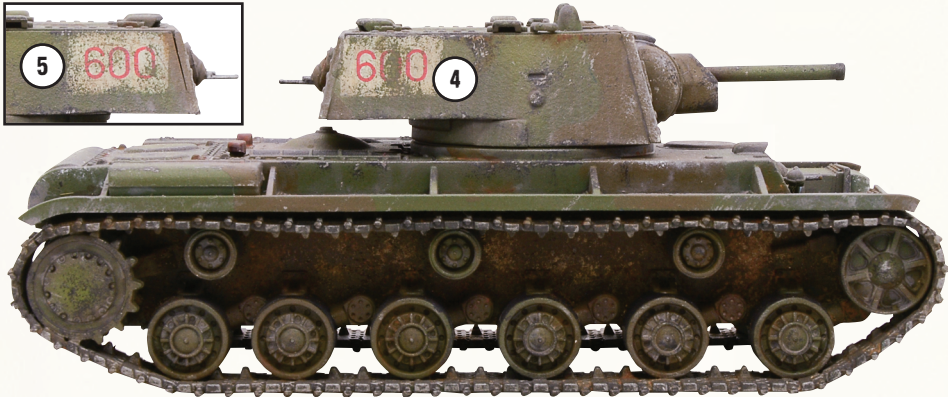


N

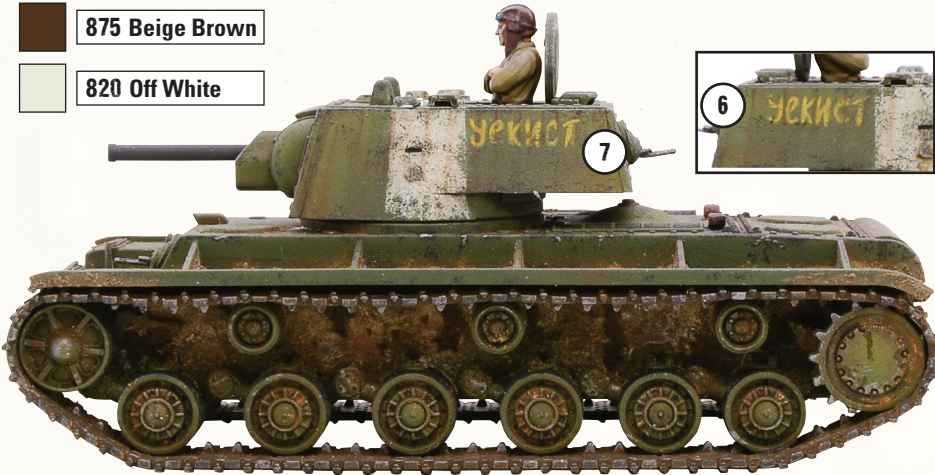
Line up the tabs under the turret ring with the slots in the hull, and turn the turret to fit it in place.

H





-  888 Olive Grey
-  875 Beige Brown
-  820 Off White



10 712 К. Лосев 9



888 Olive Grey



820 Off White



Component code: 407040001